

---

**Contents**

7.1 Engine hood .....	7-4
7.1.1 Position diagram of parts .....	7-4
7.1.2 Exploded view of structure .....	7-5
7.1.3 Engine hood sheet metal .....	7-7
7.1.3.1 Removal and refitting of engine hood assembly .....	7-7
7.1.3.2 Removal and refitting of engine hood hinge .....	7-9
7.1.4 Engine hood accessories .....	7-11
7.1.4.1 Removal and refitting of engine hood buckle .....	7-11
7.1.4.2 Removal and refitting of engine hood lock .....	7-12
7.1.4.3 Removal and refitting of engine hood rear sealing strip .....	7-14
7.1.4.4 Removal and refitting of engine hood front sealing strip .....	7-15
7.1.4.5 Removal and refitting of engine hood lock cable .....	7-16
7.1.4.6 Removal and refitting of front engine compartment cushion .....	7-17
7.1.4.7 Removal and refitting of engine hood pneumatic strut .....	7-18
7.2 Front door .....	7-20
7.2.1 Position diagram of parts .....	7-20
7.2.2 Exploded view of structure .....	7-21
7.2.3 Front door sheet metal .....	7-23
7.2.3.1 Removal and refitting of front door assembly .....	7-23
7.2.3.2 Removal and refitting of front door hinge .....	7-25
7.2.4 Front door accessories .....	7-26
7.2.4.1 Removal and refitting of front door stopper .....	7-26
7.2.4.2 Removal and refitting of front door buffer cushion .....	7-28
7.2.4.3 Removal and refitting of front door waterproof membrane .....	7-29
7.2.4.4 Removal and refitting of front door outside handle .....	7-30
7.2.4.5 Removal and refitting of front door outside handle housing .....	7-32
7.2.4.6 Removal and refitting of front door sealing strip assembly .....	7-33
7.2.4.7 Removal and refitting of front door frame sealing strip assembly .....	7-34
7.2.4.8 Removal and refitting of front door sill outer sealing strip assembly .....	7-35
7.2.4.9 Removal and refitting of front door sill inner sealing strip assembly .....	7-36
7.2.4.10 Removal and refitting of front door antifouling strip assembly .....	7-37
7.2.4.11 Removal and refitting of front door front waterproof membrane .....	7-38
7.2.4.12 Removal and refitting of door lock cylinder assembly .....	7-39
7.2.4.13 Removal and refitting of front door lock body .....	7-40
7.2.4.14 Removal and refitting of door buckle assembly .....	7-42
7.2.4.15 Removal and refitting of front door window .....	7-43
7.2.4.16 Removal and refitting of front door window regulator assembly .....	7-45
7.2.4.17 Removal and refitting of front door window channel assembly .....	7-47
7.2.4.18 Removal and refitting of front door rail assembly .....	7-48

---

7.3 Rear door .....	7-50
7.3.1 Position diagram of parts .....	7-50
7.3.2 Exploded view of structure .....	7-51
7.3.3 Rear door sheet metal .....	7-53
7.3.3.1 Removal and refitting of rear door assembly .....	7-53
7.3.3.2 Removal and refitting of rear door hinge .....	7-55
7.3.4 Rear door accessories .....	7-57
7.3.4.1 Removal and refitting of rear door buffer cushion .....	7-57
7.3.4.2 Removal and refitting of rear door waterproof membrane .....	7-58
7.3.4.3 Removal and refitting of rear door outside handle .....	7-59
7.3.4.4 Removal and refitting of rear door outside handle housing .....	7-61
7.3.4.5 Removal and refitting of rear door sealing strip assembly .....	7-62
7.3.4.6 Removal and refitting of rear door frame sealing strip assembly .....	7-63
7.3.4.7 Removal and refitting of rear door sill outer sealing strip assembly .....	7-64
7.3.4.8 Removal and refitting of rear door sill inner sealing strip assembly .....	7-65
7.3.4.9 Removal and refitting of rear door antifouling strip assembly .....	7-66
7.3.4.10 Removal and refitting of rear door wheel trim antifouling strip assembly .....	7-67
7.3.4.11 Removal and refitting of rear door lock body assembly .....	7-68
7.3.4.12 Removal and refitting of rear door window assembly .....	7-70
7.3.4.13 Removal and refitting of rear door window regulator assembly .....	7-72
7.3.4.14 Removal and refitting of rear door window channel assembly .....	7-74
7.3.4.15 Removal and refitting of rear door window rail .....	7-75
7.4 Tailgate .....	7-76
7.4.1 Position diagram of parts .....	7-76
7.4.2 Exploded view of structure .....	7-77
7.4.3 Tailgate sheet metal .....	7-79
7.4.3.1 Removal and refitting of tailgate assembly .....	7-79
7.4.3.2 Removal and refitting of tailgate hinge .....	7-81
7.4.4 Tailgate accessories .....	7-82
7.4.4.1 Removal and refitting of POT strut assembly .....	7-82
7.4.4.2 Removal and refitting of tailgate stopper .....	7-84
7.4.4.3 Removal and refitting of tailgate stopper on the door .....	7-85
7.4.4.4 Removal and refitting of tailgate stopper on the body .....	7-87
7.4.4.5 Removal and refitting of tailgate frame sealing strip assembly .....	7-88
7.4.4.6 Removal and refitting of tailgate lock assembly .....	7-89
7.4.4.7 Removal and refitting of tailgate buckle assembly .....	7-91
7.5 Window .....	7-92
7.5.1 Position diagram of parts .....	7-92
7.5.2 Front windshield .....	7-94
7.5.2.1 Removal and refitting of front windshield window assembly .....	7-94

---

7.5.3 Corner window .....	7-96
7.5.3.1 Removal and refitting of rear corner window assembly .....	7-96
7.5.4 Rear windshield .....	7-98
7.5.4.1 Removal and refitting of rear windshield window assembly .....	7-98
7.5.5 Sunroof glass ceiling assembly .....	7-100
7.5.5.1 Removal and refitting of sunroof glass ceiling assembly .....	7-100
7.6 Charging port .....	7-102
7.6.1 Position diagram of parts .....	7-102
7.6.2 Exploded view of structure .....	7-103
7.6.3 EV charging port cover.....	7-105
7.6.3.1 Removal and refitting of charging port cover plate .....	7-105
7.6.3.2 Removal and refitting of charging port cover body .....	7-106
7.6.3.3 Removal and refitting of charging port cover baffle .....	7-109
7.6.3.4 Removal and refitting of charging port cover lock assembly .....	7-110
7.6.3.5 Removal and refitting of emergency release handle .....	7-111
7.6.3.6 Removal and refitting of drain pipe sheath .....	7-112
7.6.3.7 Removal and refitting of emergency cable sheath .....	7-113
7.6.4 REV charging port cover .....	7-114
7.6.4.1 Removal and refitting of charging port cover body .....	7-114
7.6.4.2 Removal and refitting of charging port cover baffle .....	7-116
7.7 Oil filler .....	7-117
7.7.1 Position diagram of parts .....	7-117
7.7.2 Exploded view of structure .....	7-118
7.7.3 Filler cap .....	7-120
7.7.3.1 Removal and refitting of filler cap outer panel .....	7-120
7.7.3.2 Removal and refitting of oil filler container assembly .....	7-121
7.7.3.3 Removal and refitting of filler cap lock assembly .....	7-123
7.7.3.4 Removal and refitting of drain pipe sheath .....	7-125
7.7.3.5 Removal and refitting of filler cap drain pipe assembly .....	7-126

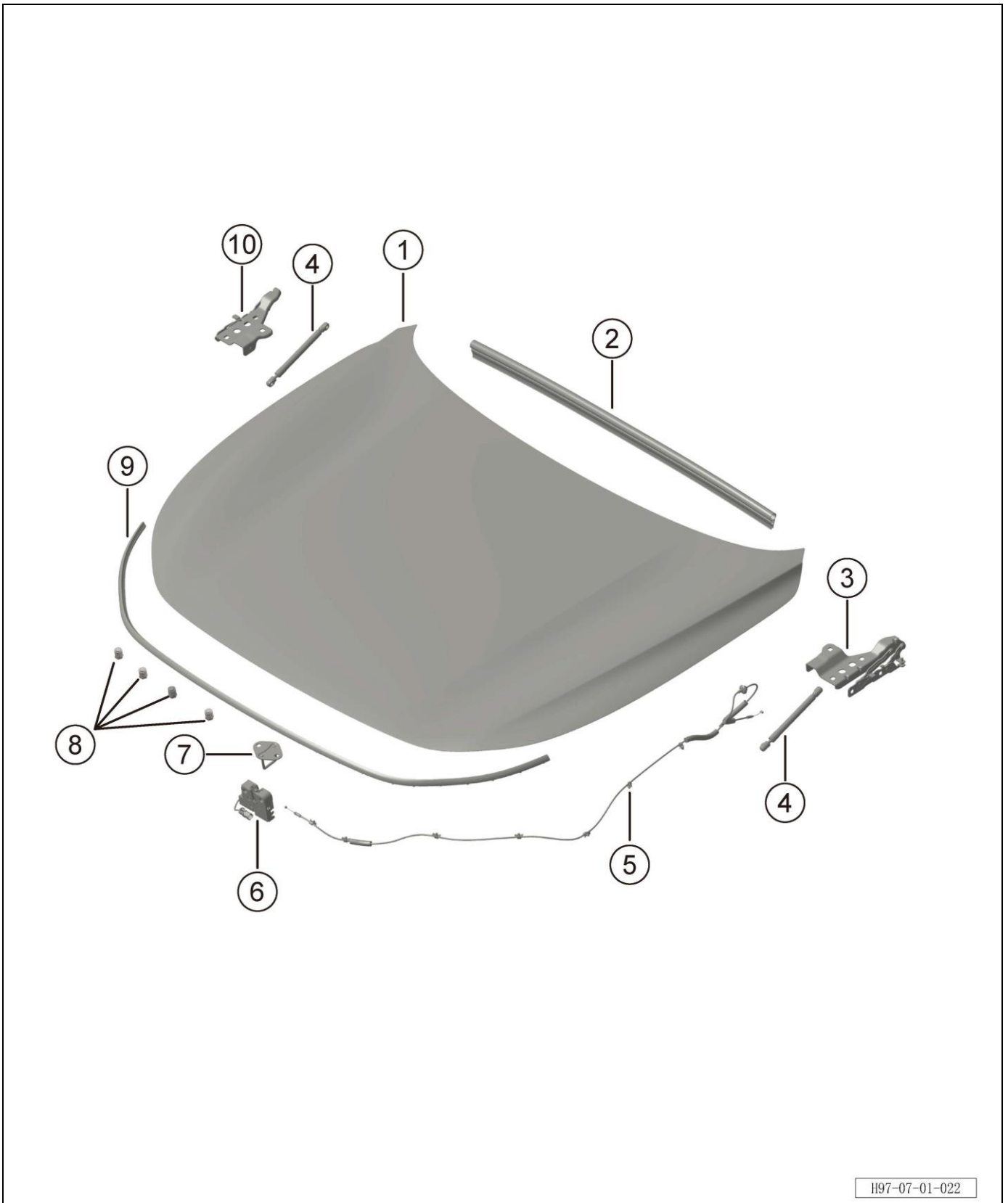
## 7.1 Engine hood

### 7.1.1 Position diagram of parts



H97-07-01-023

7.1.2 Exploded view



S/N	Part name	Loading quantity	Remarks
1	Engine hood panel assembly	1	
2	Engine hood rear sealing strip assembly	1	
3	Engine hood left hinge assembly	1	
4	Engine hood pneumatic strut	2	
5	Engine hood lock cable	1	
6	Engine hood lock	1	
7	Engine hood buckle	1	
8	Front engine compartment cushion	4	
9	Engine hood front sealing strip assembly	1	
10	Engine hood right hinge assembly	1	

### 7.1.3 Engine hood sheet metal

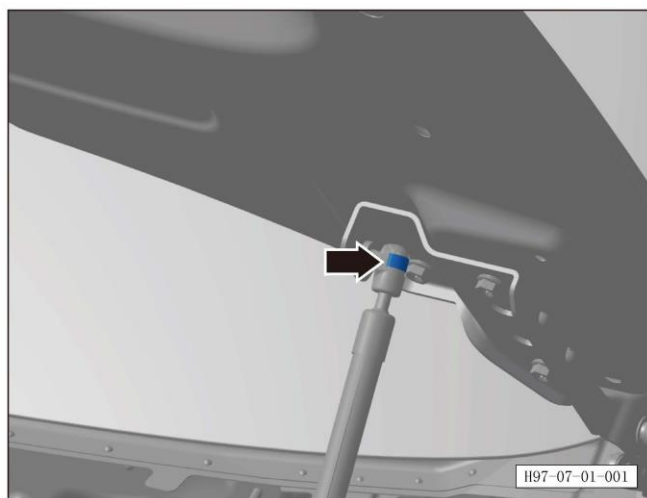
#### 7.1.3.1 Removal and refitting of engine hood assembly

Removal procedure

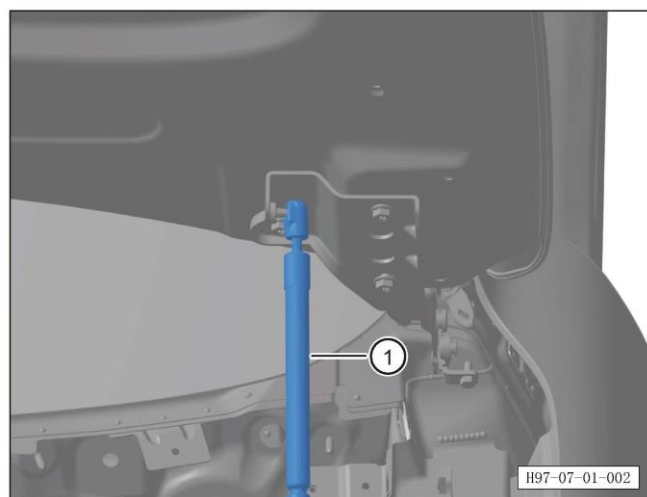
Note:

- The removal and refitting shall be performed with the assistance of another technician.
- You must act in close coordination with another technician when taking out the engine hood to avoid causing damage to the front windshield assembly.

1. Remove the engine hood assembly.

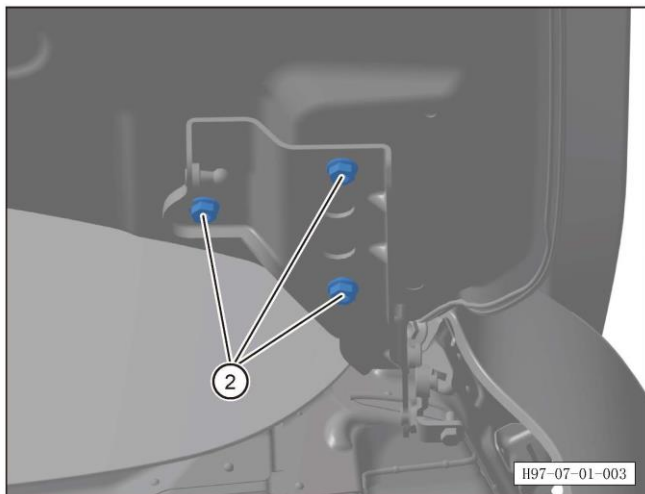


a. Pry up the spring clip with a flat screwdriver as indicated by the arrow.



b. Disengage the left engine hood air spring assembly ① from the left engine hood air spring ball joint.

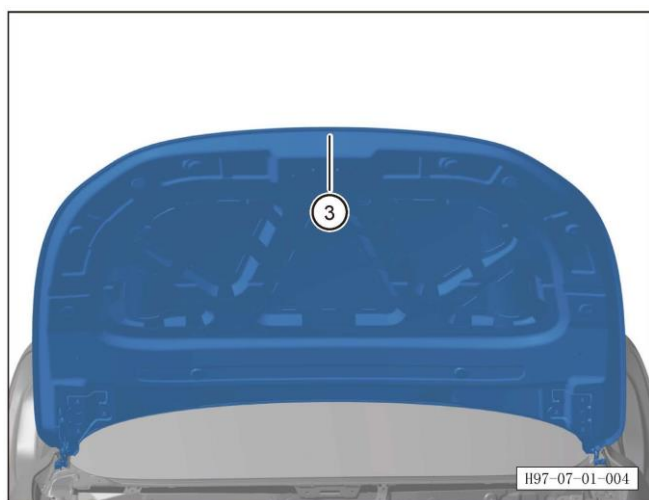
c. Disengage the right engine hood air spring assembly. For the specific steps, refer to the operations on the left side.



d. Unscrew 3 fixing bolts ② of the left engine hood assembly.

e. Unscrew 3 fixing bolts of the right engine hood assembly. For the specific steps, refer to the operations on the left side.

Tightening torque of nut:  $20\pm 3\text{Nm}$ .



f. Remove the engine hood assembly ③.

Refitting procedure

The refitting procedure is performed in reverse order.



### 7.1.3.2 Removal and refitting of engine hood hinge

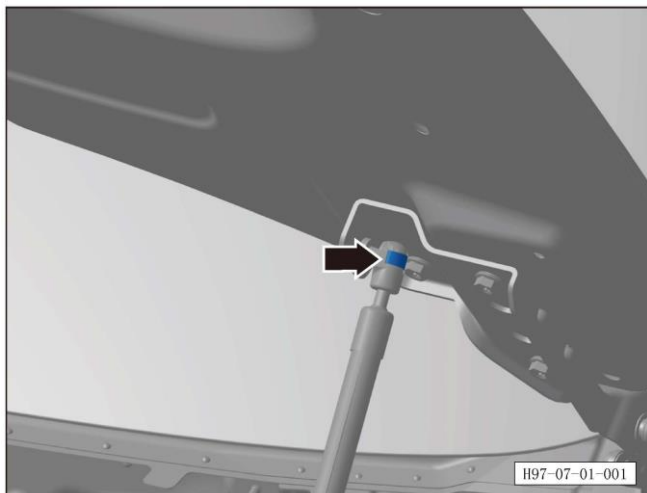
Removal procedure

Note:

- The following is the removal and refitting of the left engine hood hinge, which can be referred to for the operations on the right side.
- You must act in close coordination with another technician when unscrewing the fixing bolts of the engine hood.

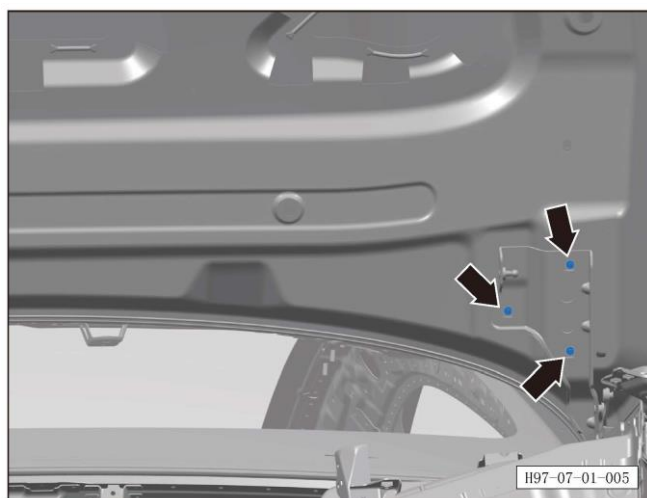
1. Remove the engine hood hinge.

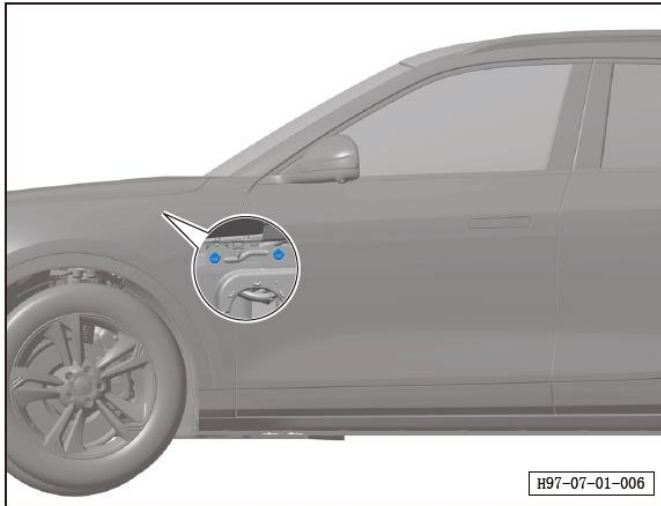
a. Pry up the spring clip with a flat screwdriver and disengage the left engine hood air spring assembly.



b. Unscrew 3 fixing bolts connecting the engine hood hinge to the engine hood.

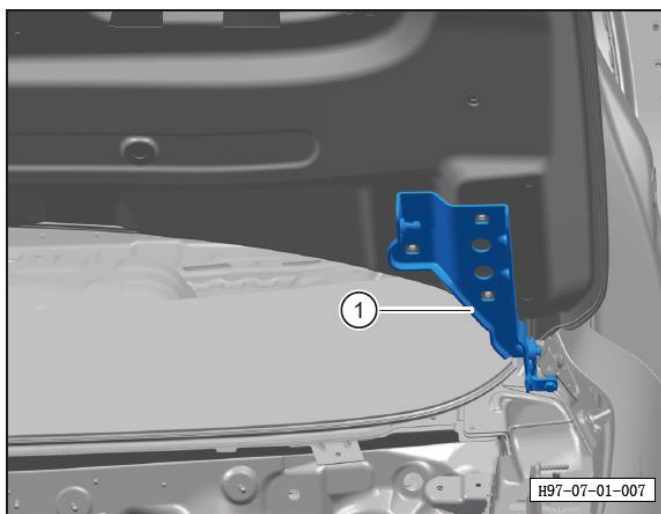
Tightening torque of bolt:  $20\pm 3\text{Nm}$ .





c. Unscrew 2 fixing bolts of the engine hood hinge (body side).

Tightening torque of bolt:  $20\pm 3\text{Nm}$ .



d. Remove the engine hood hinge ①.

Refitting procedure

The refitting procedure is performed in reverse order.

### 7.1.4 Engine hood accessories

#### 7.1.4.1 Removal and refitting of engine hood buckle

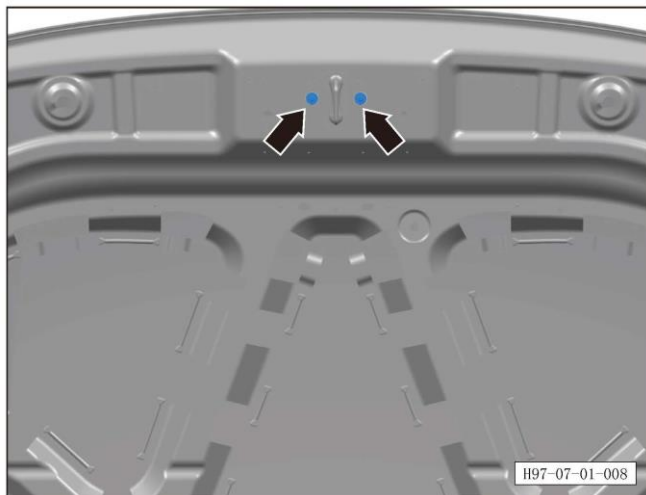
Removal procedure

1. Open the engine hood.

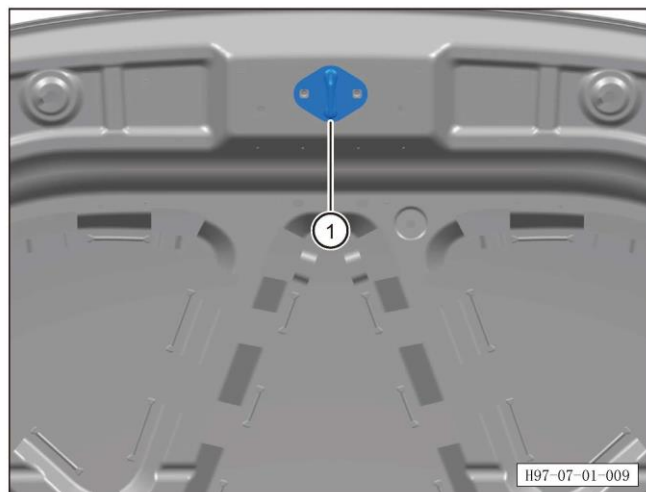
2 Remove the engine hood buckle.

a. Unscrew 2 fixing bolts of the engine hood buckle.

Tightening torque of bolt:  $20\pm 3\text{Nm}$ .



b. Remove the engine hood buckle ①.



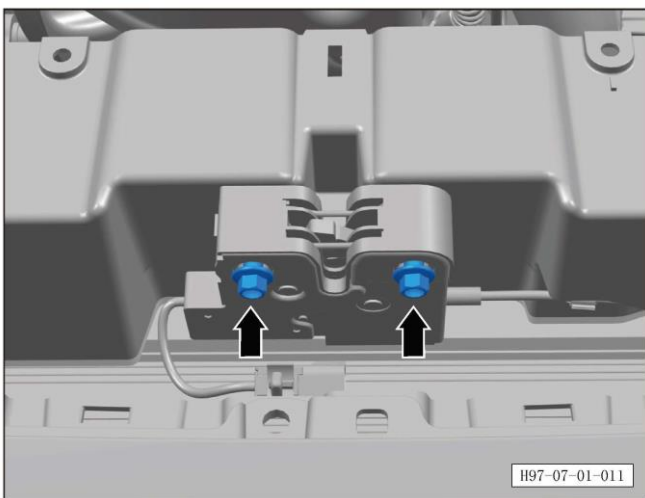
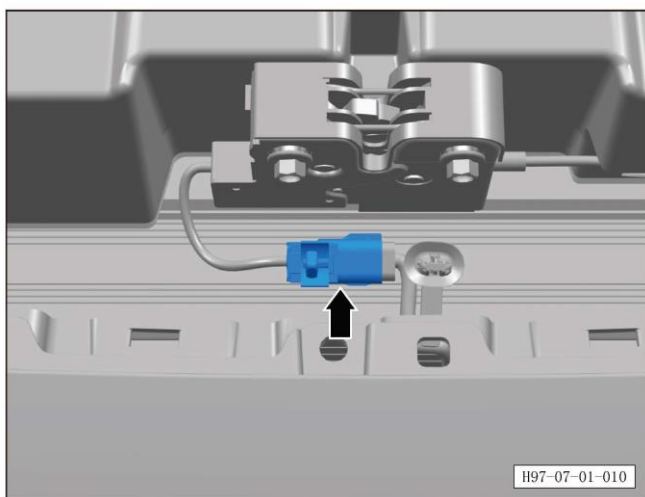
Refitting procedure

The refitting procedure is performed in reverse order.

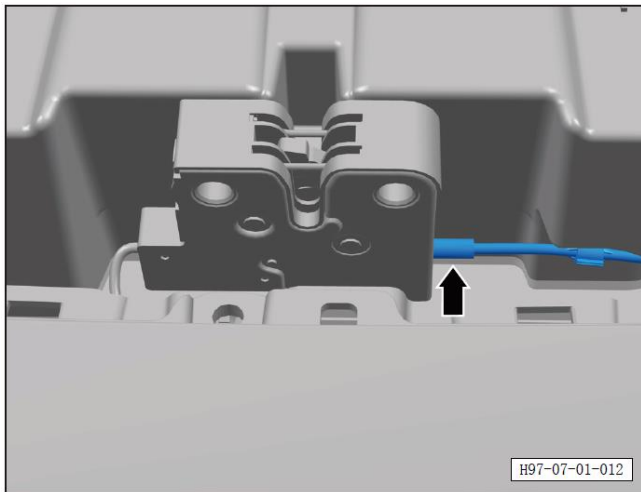
### 7.1.4.2 Removal and refitting of engine hood lock

Removal procedure

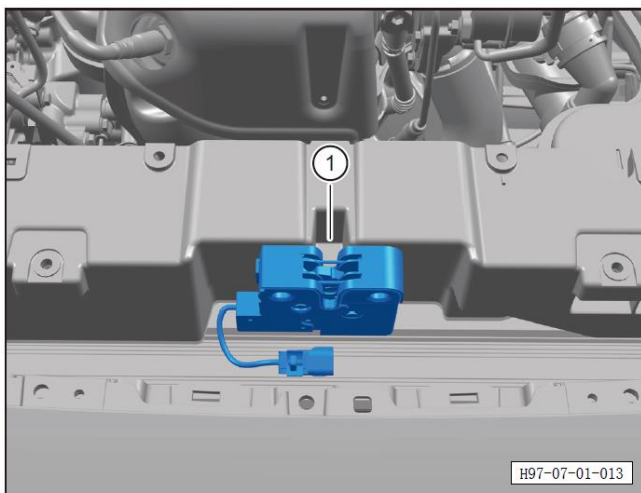
1. Open the engine hood.
2. Remove the engine compartment front middle trim panel assembly (refer to [8.6.6.11 Removal and refitting of engine compartment front middle trim panel assembly](#))
3. Remove the engine hood lock.
  - a. Disconnect the connectors of the panel lock.



- b. Unscrew 2 fixing bolts of the engine hood lock.  
Tightening torque of bolt:  $20\pm 3\text{Nm}$ .



c. Disengage the engine hood lock cable.



d. Remove the engine hood lock ①.

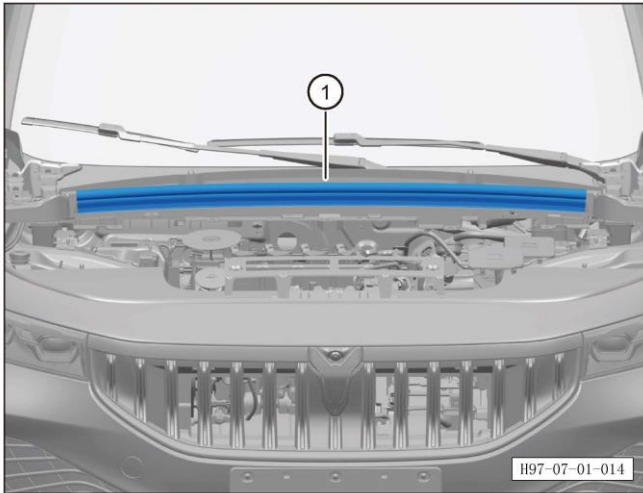
Refitting procedure

The refitting procedure is performed in reverse order.

### 7.1.4.3 Removal and refitting of engine hood rear sealing strip

Removal procedure

1. Open the engine hood.
2. Remove the engine hood rear sealing strip.
  - a. Disengage the engine hood rear sealing strip ①.



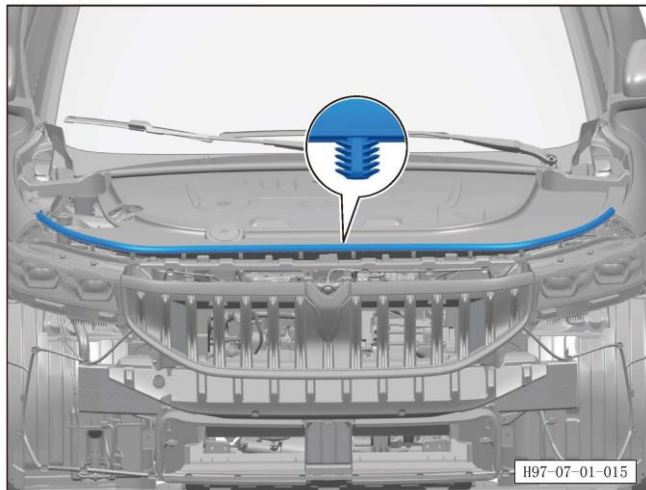
Refitting procedure

The refitting procedure is performed in reverse order.

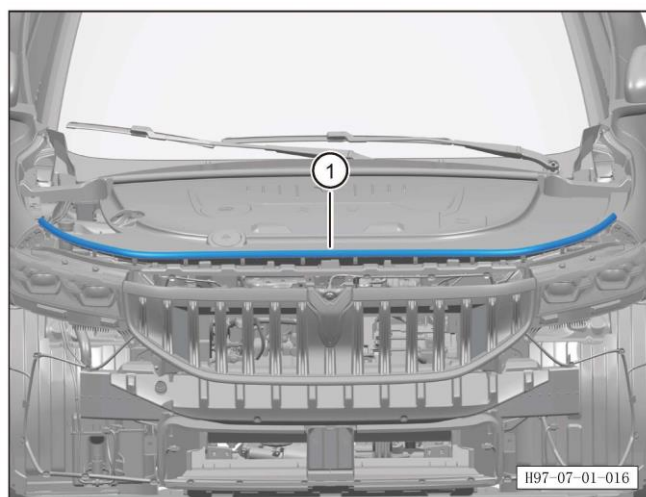
#### 7.1.4.4 Removal and refitting of engine hood front sealing strip

Removal procedure

1. Open the engine hood.
2. Remove the engine hood front sealing strip.



- a. disengage 26 fixing clips of the engine hood rear sealing strip.



- b. Remove the engine hood front sealing strip ①.

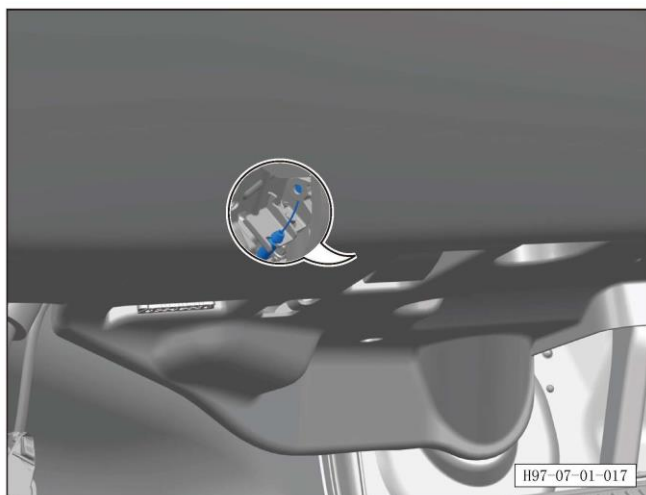
Refitting procedure

The refitting procedure is performed in reverse order.

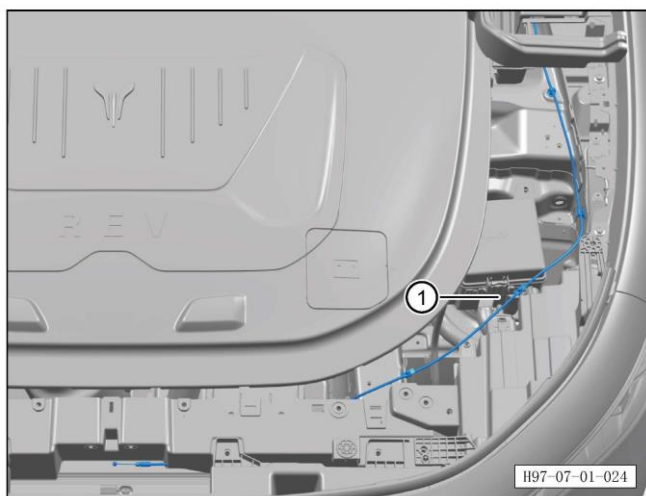
### 7.1.4.5 Removal and refitting of engine hood lock cable

Removal procedure

1. Remove the engine hood lock (refer to [7.1.4.2 Removal and refitting of engine hood lock](#))
2. Remove and refit the engine compartment rear trim panel assembly (refer to [8.6.6.12 Removal and refitting of engine compartment rear trim panel assembly](#))
3. Remove the engine hood lock cable.
  - a. Disengage the engine hood lock cable from the cable handle.



- b. Disengage the fixing clips of the engine hood lock cable to remove the engine hood lock cable ①.



Refitting procedure

The refitting procedure is performed in reverse order.



#### 7.1.4.6 Removal and refitting of front engine compartment cushion

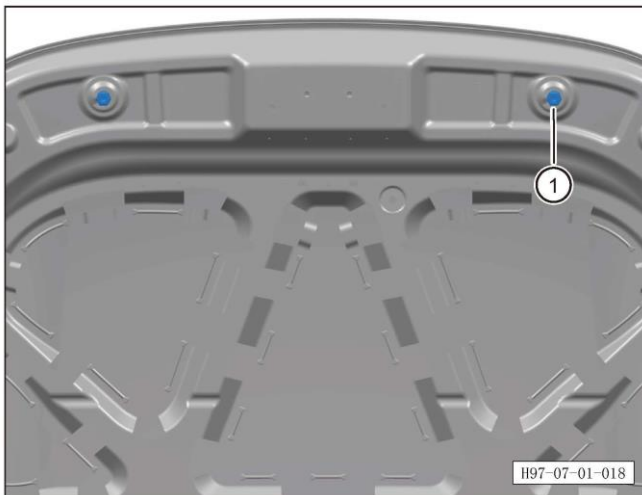
Removal procedure

Note:

- The following is the removal and refitting of the left front engine compartment cushion, which can be referred to for the operations on the right side.

1. Remove the front engine compartment cushion.

a. Unscrew the front engine compartment cushion ①.



Refitting procedure

The refitting procedure is performed in reverse order.

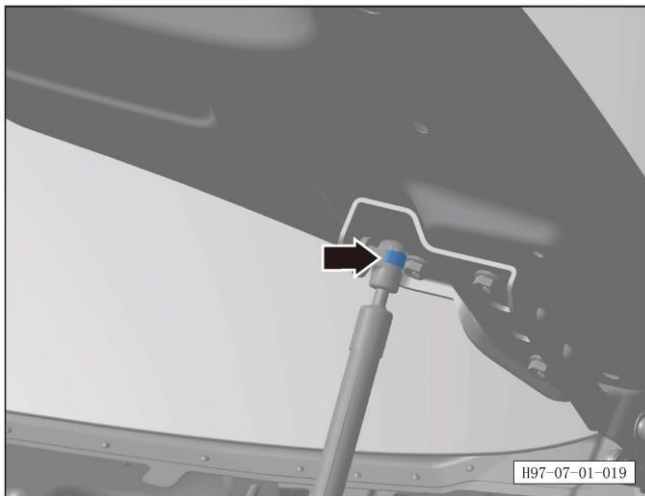
### 7.1.4.7 Removal and refitting engine hood pneumatic strut

Removal procedure

Note:

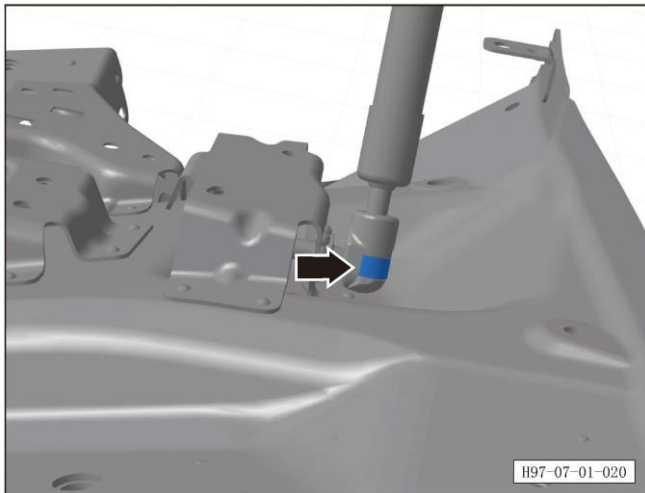
- The removal and refitting shall be performed with the assistance of another technician.
- You must act in close coordination with another technician when taking out the engine hood to avoid causing damage to the front windshield ceiling assembly.
- The following is the removal and refitting of the left engine hood pneumatic strut, which can be referred to for the operations on the right side.

1. Remove the engine hood pneumatic strut.



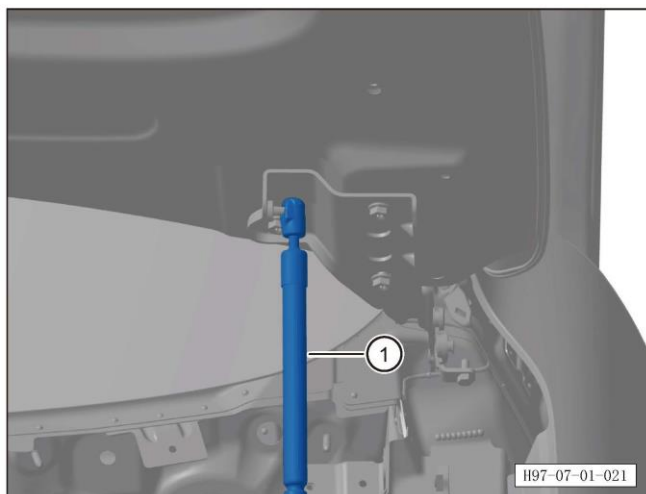
a. Pry up the spring clip with a flat screwdriver as indicated by the arrow.

b. Disengage the upper part of the left engine hood pneumatic strut.



c. Pry up the spring clip with a flat screwdriver as indicated by the arrow.

d. Disengage the lower part of the left engine hood pneumatic strut.



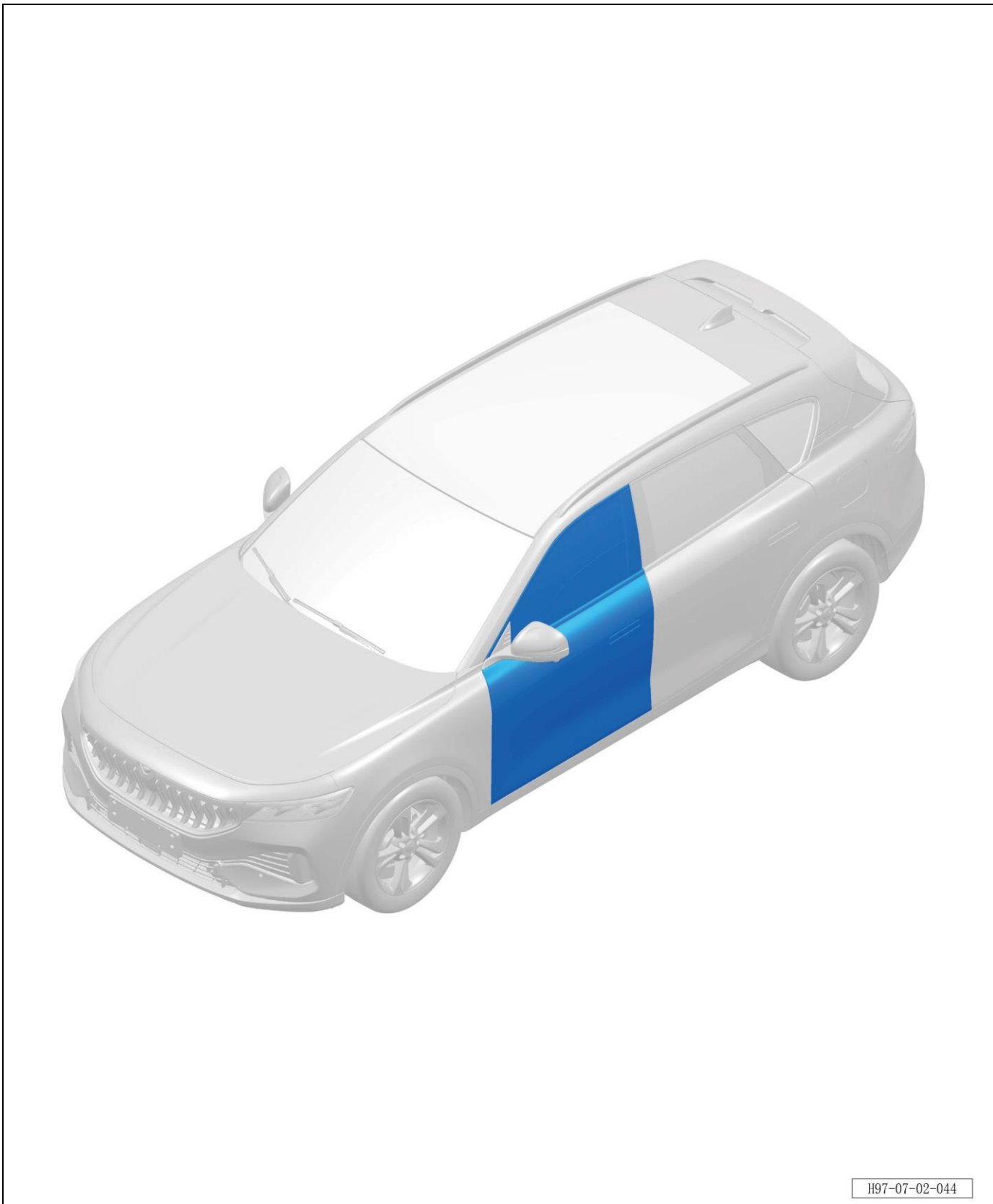
e. Remove the engine hood pneumatic strut ①.

Refitting procedure

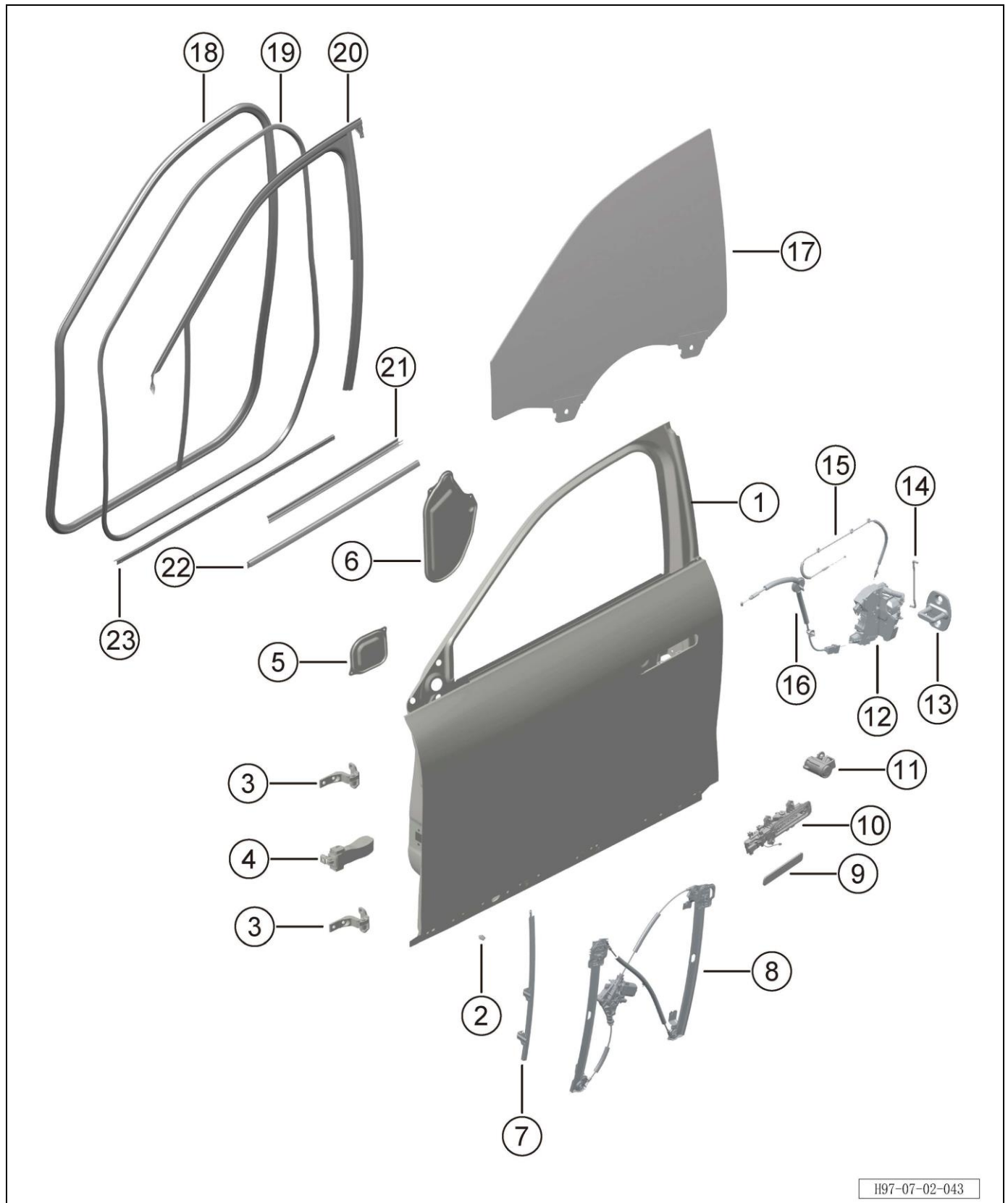
The refitting procedure is performed in reverse order.

## 7.2 Front door

### 7.2.1 Position diagram of parts



7.2.2 Exploded view



H97-07-02-043

S/N	Part name	Loading quantity	Remarks
1	Left front door panel assembly	1	
2	Front and rear door buffer cushions	1	
3	Front door upper hinge assembly (left)	2	
4	Left front door stopper assembly	1	
5	Left front door front waterproof membrane	1	
6	Left front door waterproof membrane	1	
7	Left front door window regulator assembly	1	
8	Left front door rail assembly	1	
9	Left front door outside handle housing	1	
10	Left front door outside handle assembly	1	
11	Left front door lock cylinder assembly	1	
12	Left front door lock body	1	
13	Left door buckle assembly	1	
14	Lock cylinder linkage	1	
15	Left front door outside release cable assembly	1	
16	Left front door inner release cable assembly	1	
17	Left front door window	1	
18	Left front door frame sealing strip assembly	1	
19	Left front door sealing strip assembly	1	
20	Left front door window channel assembly	1	
21	Left front door sill inner sealing strip assembly	1	
22	Left front door sill outer sealing strip assembly	1	
23	Left front door antifouling strip assembly	1	

### 7.2.3 Front door sheet metal

#### 7.2.3.1 Removal and refitting of front door assembly

Removal procedure

Note:

- The following is the removal and refitting of the left front door assembly, which can be referred to for the operations on the right side.

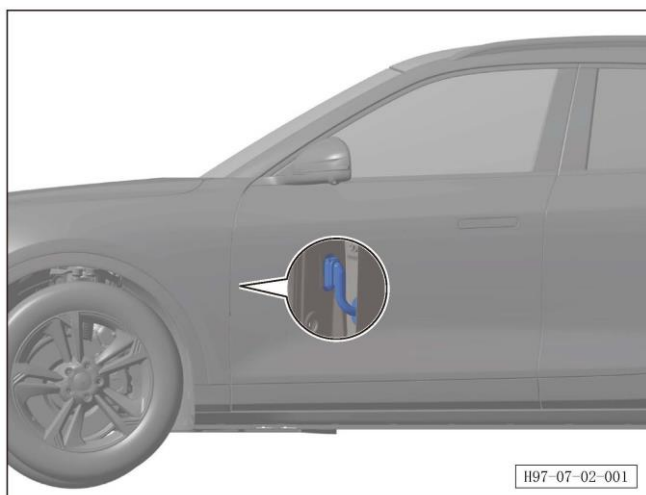
- The removal of the door assembly must be performed with the assistance of another technician.

1. Turn off all electrical appliances and turn off the start switch.

2. Disconnect the battery negative terminal (refer to [3.1.6.1 Maintenance and inspection of the battery](#))

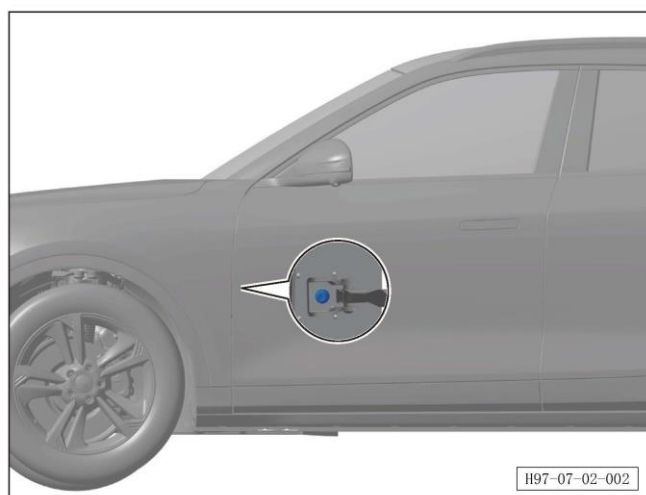
3. Remove the front door assembly.

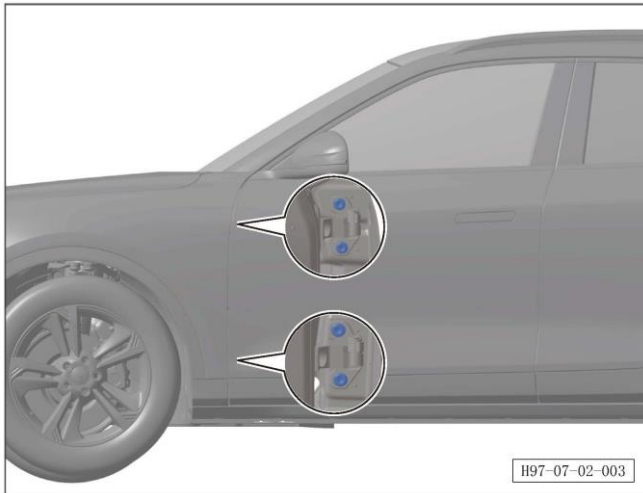
a. Disengage the fixing buckles of the connectors and disconnect the harness connectors.



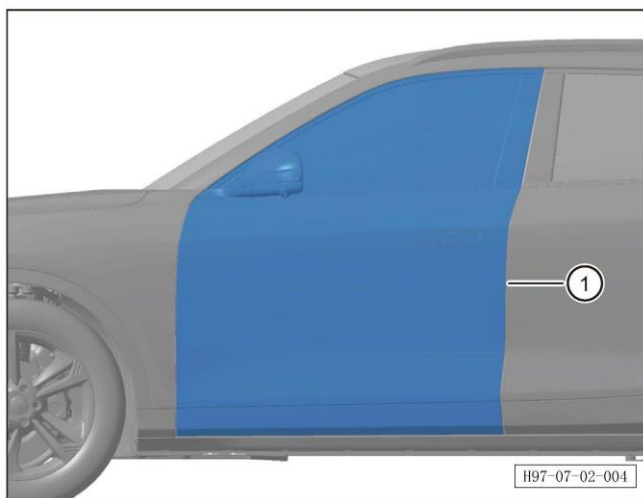
b. Unscrew 1 fixing bolt of the front door stopper (at the side wall).

Tightening torque of bolt:  $20\pm 3\text{Nm}$ .





- c. Unscrew 4 fixing bolts of the upper and lower hinges of the front door (at the door).  
Tightening torque of bolt:  $30\pm 5\text{Nm}$ .



- d Remove the front door ①.

Refitting procedure

The refitting procedure is performed in reverse order.



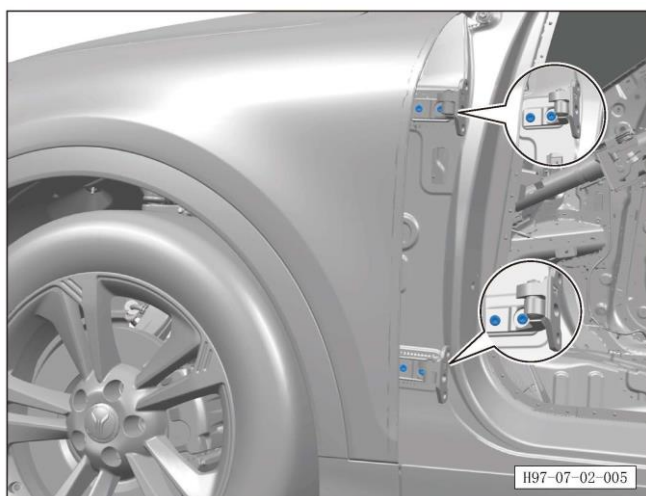
### 7.2.3.2 Removal and refitting of front door hinge

Removal procedure

Note:

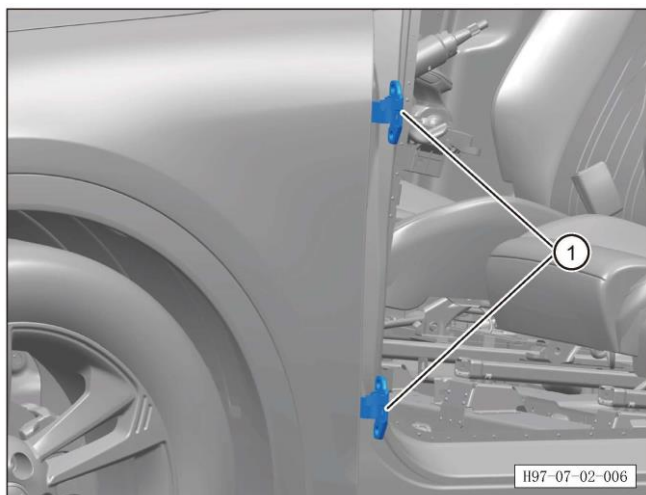
- The following is the removal and refitting of the left front door hinge, which can be referred to for the operations on the right side.

1. Remove the front door assembly (refer to [7.2.3.1 Removal and refitting of front door assembly](#))
2. Remove the left fender trim panel (refer to [8.6.6.15 Removal and refitting of fender trim panel](#))
3. Remove the front door hinge.



- a. Unscrew 4 fixing bolts of the upper and lower hinges of the front door (at the side wall).

Tightening torque of bolt:  $30\pm 5\text{Nm}$ .



- b. Take down the front door upper and lower hinges ①.

Refitting procedure

The refitting procedure is performed in reverse order.

## 7.2.4 Front door accessories

### 7.2.4.1 Removal and refitting of front door stopper

Removal procedure

Note:

- The following is the removal and refitting of the right front door stopper, which can be referred to for the left door and rear door.

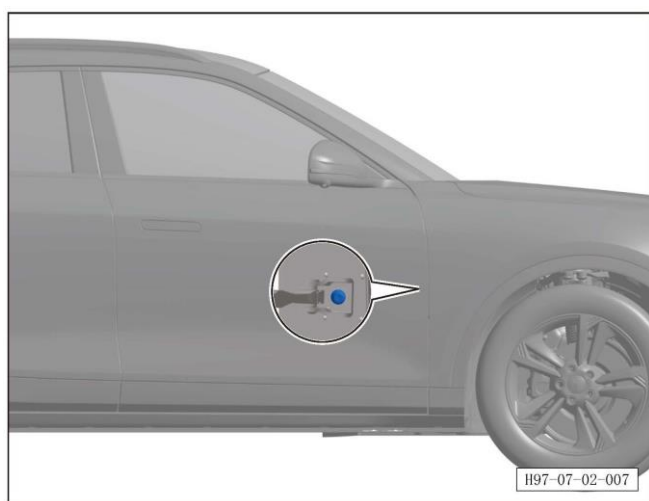
1. Remove the right front door trim pane (refer to [8.4.2.1 Removal and refitting of front door trim panel assembly](#))

2. Remove the right front door woofer (refer to [9.1.7.3 Removal and refitting of front door woofer](#))

3. Remove the front door stopper.

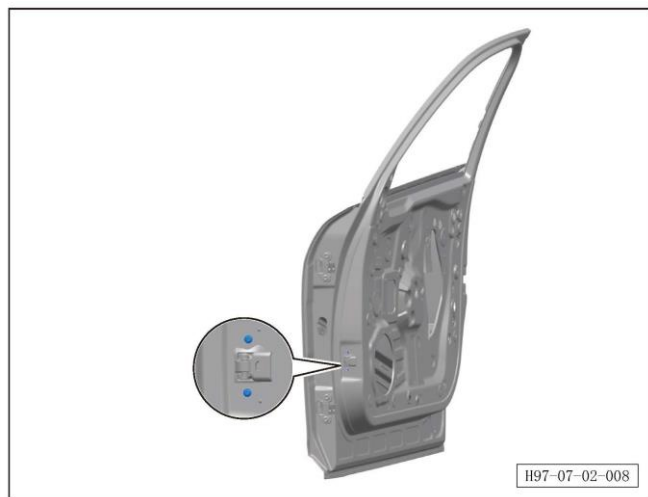
a. Unscrew 1 fixing bolt of the front door stopper (at the side wall).

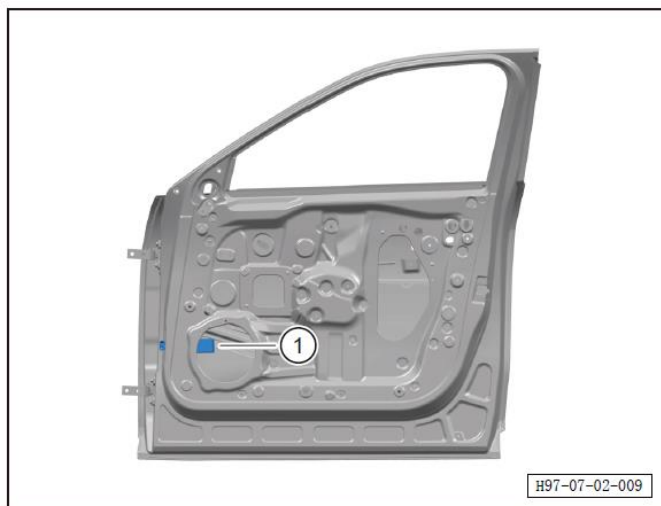
Tightening torque of bolt:  $20\pm 3\text{Nm}$ .



b. Unscrew 2 fixing screw of the front door stopper (at the door).

Tightening torque of bolt:  $8\pm 1\text{Nm}$ .





c. Take down the front door stopper ①.

Refitting procedure

The refitting procedure is performed in reverse order.

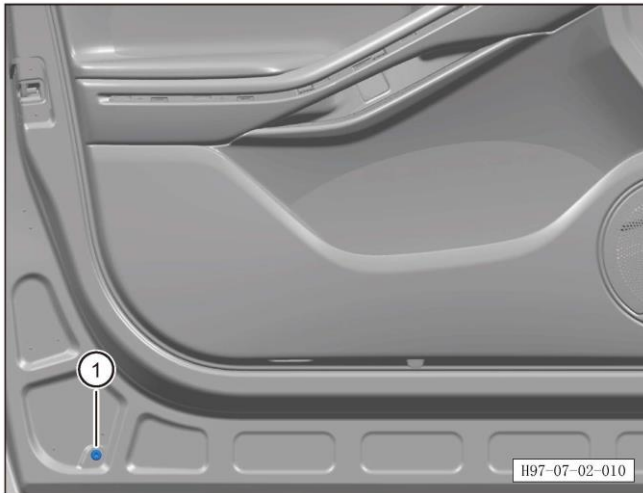
### 7.2.4.2 Removal and refitting of front door buffer cushion

Removal procedure

Note:

- The following is the removal and refitting of the left front door buffer cushion, which can be referred to for the operations on the right side.

1. Open the left front door.
2. Remove the left front door buffer cushion.
  - a. Unscrew the left front door buffer cushion ①.



Refitting procedure

The refitting procedure is performed in reverse order.

### 7.2.4.3 Removal and refitting of front door waterproof membrane

Removal procedure

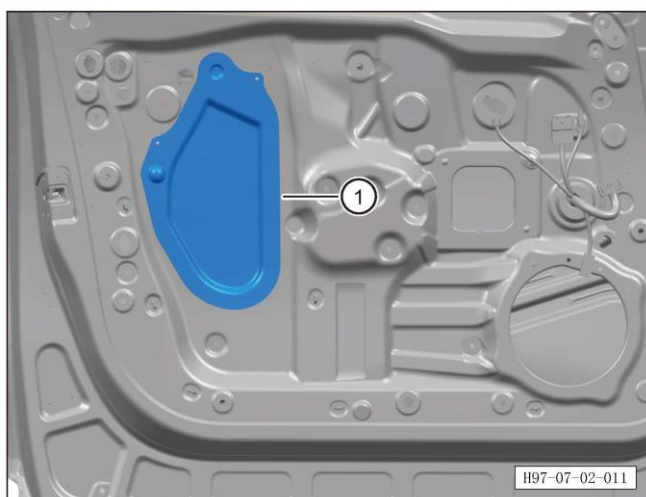
Note:

- The following is the removal and refitting of the left front door waterproof membrane, which can be referred to for the operations on the right side.

1. Remove the left front door trim panel assembly (refer to [8.4.2.1 Removal and refitting of front door trim panel assembly](#))

2. Remove the left front door waterproof membrane.

a. Lift the left front door waterproof membrane ①.



Refitting procedure

The refitting procedure is performed in reverse order.

**CAUTION:**

- Check the sealing of the waterproof membrane after refitting to avoid the water leakage.

#### 7.2.4.4 Removal and refitting of front door outside handle housing

Removal procedure

Note:

- The following is the removal and refitting of the left front door outside handle, which can be referred to for the operations on the right side.

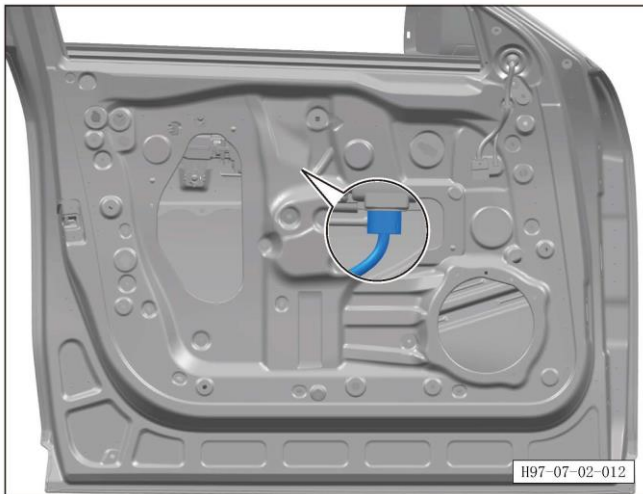
1. Remove the left front door trim panel assembly (refer to [8.4.2.1 Removal and refitting of front door trim panel assembly](#))

2. Remove the left front door waterproof membrane (refer to [7.2.4.3 Removal and refitting of front door waterproof membrane](#))

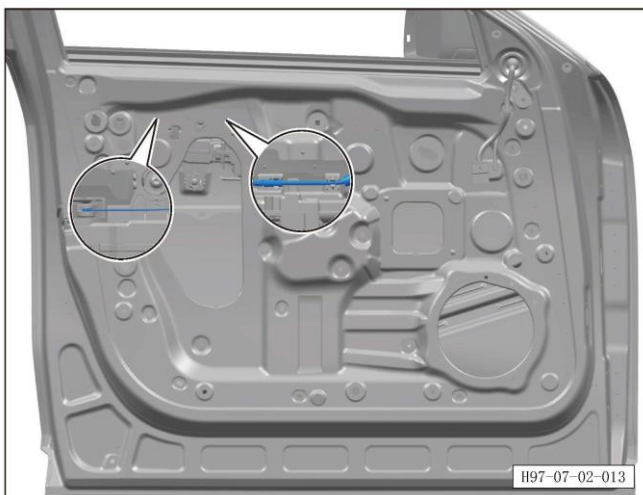
3. Remove the left front door window (refer to [7.2.4.15 Removal and refitting of front door window channel assembly](#))

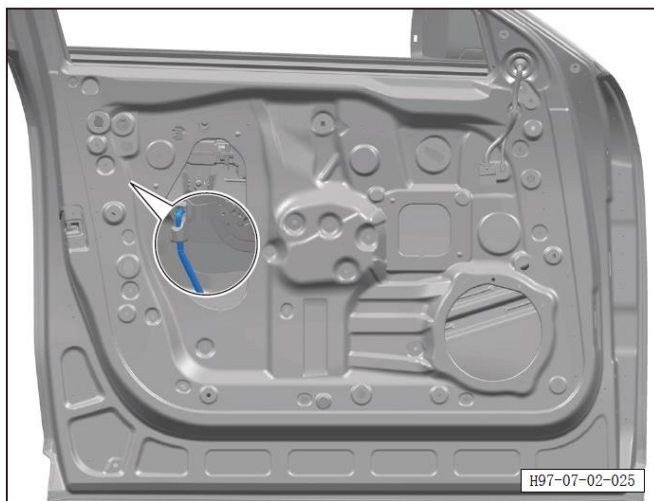
4. Remove the left front door outside handle.

a. Disconnect the left front door harness connectors.

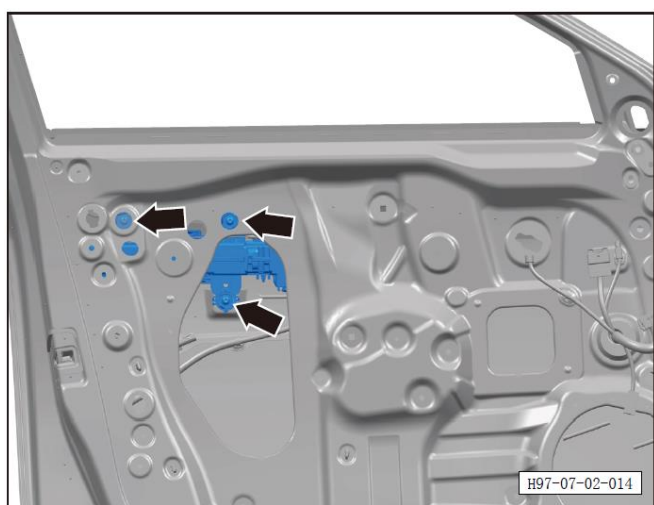


b. Disengage left front door outside release cable.



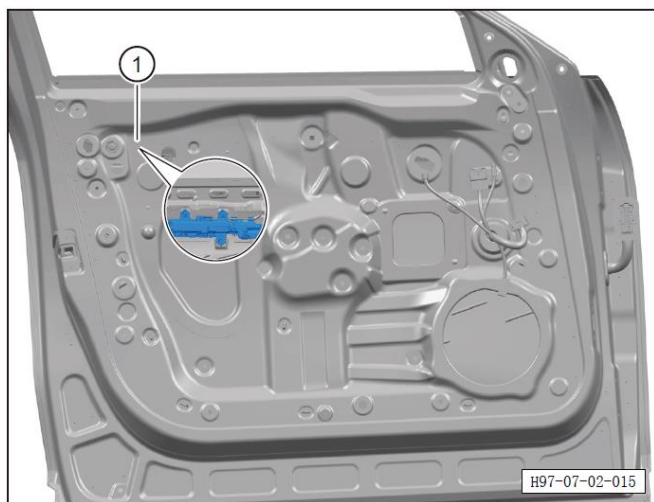


c. Disengage lock cylinder linkage.



d. Unscrew 3 fixing screws of the left front door outside handle.

Tightening torque of screws:  $8\pm 1\text{Nm}$ .



e. Remove the left front door outside handle ①.

Refitting procedure

The refitting procedure is performed in reverse order.

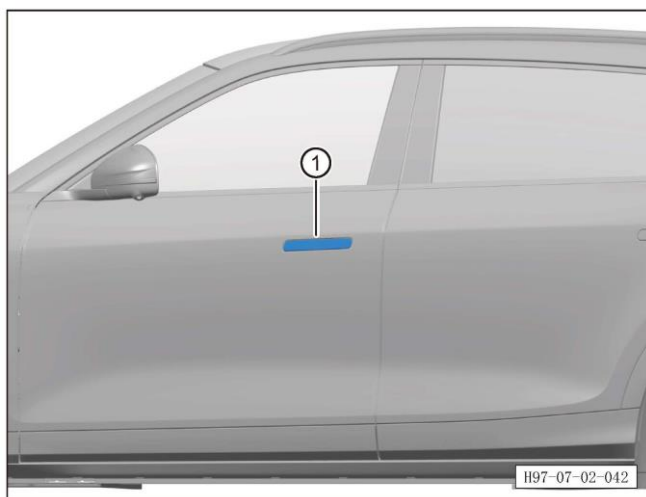
### 7.2.4.5 Removal and refitting of front door outside handle housing

Removal procedure

Note:

- The following is the removal and refitting of the left front door outside handle housing, which can be referred to for the operations on the right side.

1. Remove the left front door outside handle housing.
  - a. Eject the left front door outside handle housing.
  - b. Disengage left outside handle housing ①.



Refitting procedure

1. Refit the left front door outside handle housing.
  - a. Press the left part of the left front door outside handle housing into the vehicle at first.
  - b. Then refit the left front door outside handle housing into the vehicle.



### 7.2.4.6 Removal and refitting of front door sealing strip assembly

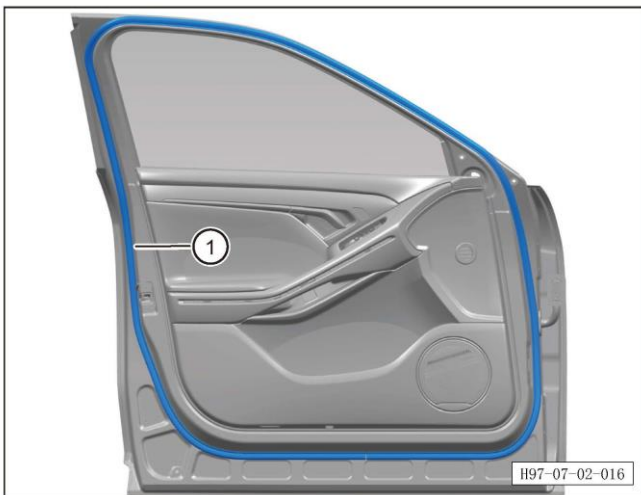
Removal procedure

Note:

- The following is the removal and refitting of the left front door sealing strip assembly, which can be referred to for the operations on the right side.

1. Remove the left front door sealing strip assembly.

a. Remove the left front door sealing strip assembly ① from the body flange.



Refitting procedure

The refitting procedure is performed in reverse order.

### 7.2.4.7 Removal and refitting of front door frame sealing strip assembly

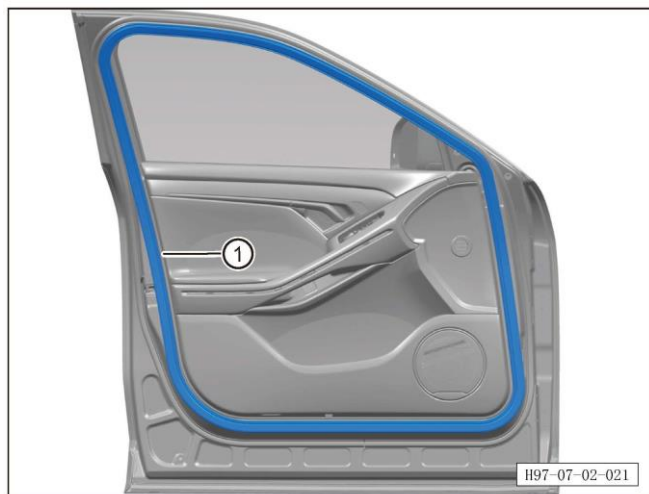
Removal procedure

Note:

- The following is the removal and refitting of the left front door frame sealing strip assembly, which can be referred to for the operations on the right side.

1. Remove the left front door frame sealing strip assembly.

a. Remove the left front door frame sealing strip assembly ① from the body flange.



Refitting procedure

The refitting procedure is performed in reverse order.

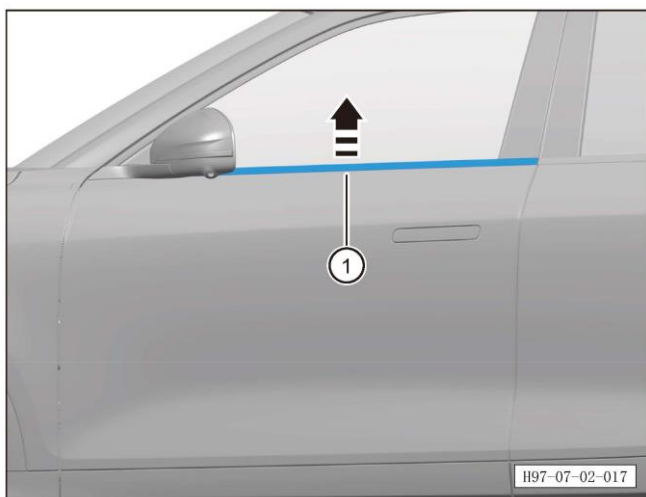
### 7.2.4.8 Removal and refitting of front door sill outer sealing strip assembly

Removal procedure

Note:

- The following is the removal and refitting of the left front door sill outer sealing strip assembly, which can be referred to for the operations on the right side.

1. Remove the left front door sill outer sealing strip assembly.



a. Lower the left front door window to the lowest position.

b. Disengage the left front door sill outer sealing strip ① as indicated by the arrow.

**CAUTION:**

- Do not bend the front door sill outer sealing strip as it is deformable.

Refitting procedure

The refitting procedure is performed in reverse order.

### 7.2.4.9 Removal and refitting of front door sill inner sealing strip assembly

Removal procedure

Note:

- The following is the removal and refitting of the left front door sill inner sealing strip assembly, which can be referred to for the operations on the right side.

1. Remove the left front door trim panel assembly (refer to [8.4.2.1 Removal and refitting of front door trim panel assembly](#))

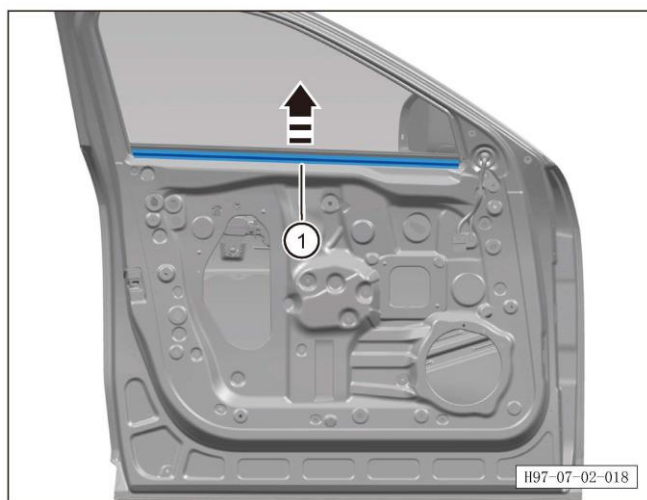
2. Remove the left front door sill inner sealing strip.

a. Lower the left front door window to the lowest position.

b. Disengage the left front door sill inner sealing strip ① as indicated by the arrow.

**CAUTION:**

- Do not bend the front door sill inner sealing strip as it is deformable.



Refitting procedure

The refitting procedure is performed in reverse order.

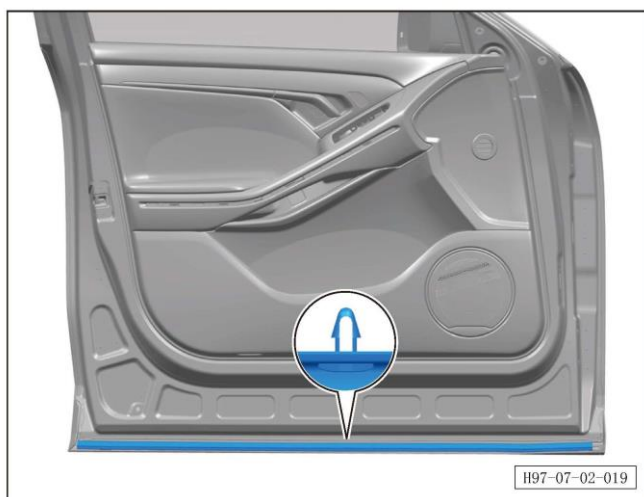
#### 7.2.4. Removal and refitting of front door antifouling strip assembly

Removal procedure

Note:

- The following is the removal and refitting of the left front door antifouling strip, which can be referred to for the operations on the right side.

1. Remove the left front door antifouling strip assembly.



a. Disengage 12 fixing clips of the left front door antifouling strip assembly.



b. Disengage the left front door antifouling strip assembly ①.

Refitting procedure

The refitting procedure is performed in reverse order.

### 7.2.4.11 Removal and refitting of front door front waterproof membrane

Removal procedure

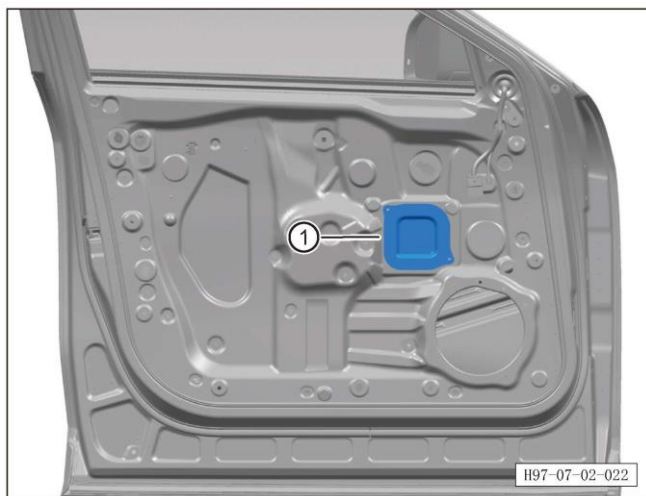
Note:

- The following is the removal and refitting of the left front door front waterproof membrane, which can be referred to for the operations on the right side.

1. Remove the left front door trim panel assembly (refer to [8.4.1.1 Removal and refitting of front door trim panel assembly](#))

2. Remove the left front door front waterproof membrane.

a. Lift the front door front waterproof membrane ①.



Refitting procedure

The refitting procedure is performed in reverse order.

### 7.2.4.12 Removal and refitting of door lock cylinder assembly

Removal procedure

Note:

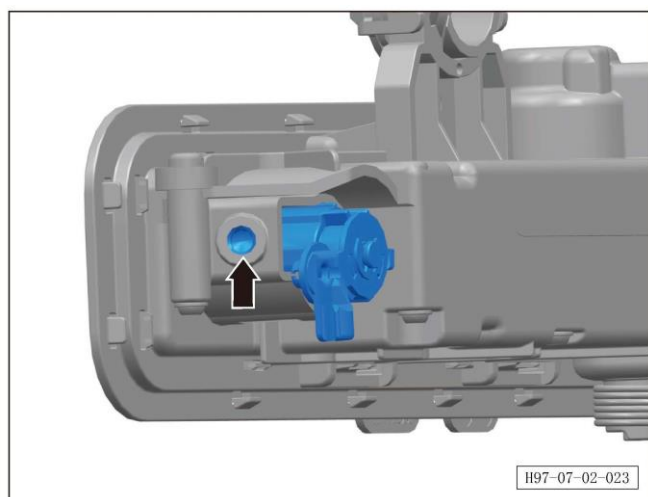
- The following is the removal and refitting of the left front door lock cylinder assembly, which can be referred to for the operations on the right side.

1. Remove the left front door outside handle (refer to [7.2.4.4 Removal and refitting of front door outside handle](#))

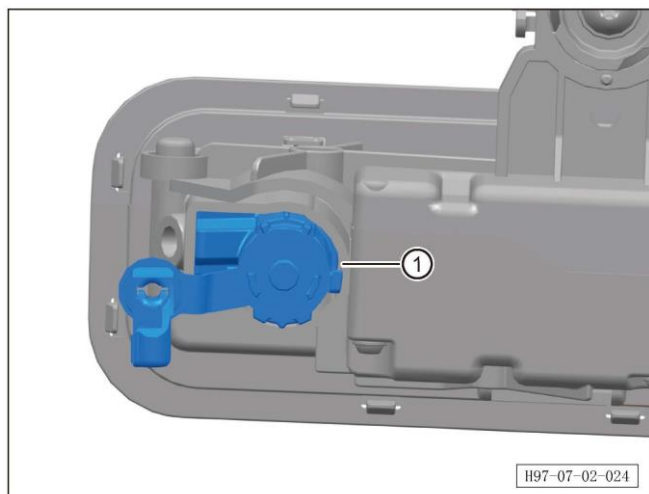
2. Remove the left front door lock cylinder assembly.

a. Unscrew 1 fixing bolt of the left front door lock cylinder assembly.

Tightening torque of bolt:  $4\pm 0.6\text{Nm}$ .



b. Take down the left front door lock cylinder assembly ①.



Refitting procedure

The refitting procedure is performed in reverse order.

### 7.2.4.13 Removal and refitting of front door lock body

Removal procedure

Note:

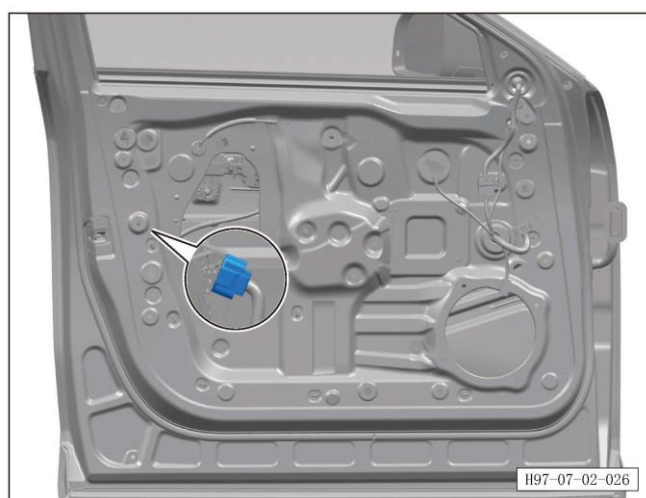
- The following is the removal and refitting of the left front door lock body, which can be referred to for the operations on the right side.

1. Remove the left front door trim panel assembly (refer to [8.4.2.1 Removal and refitting of front door trim panel assembly](#))

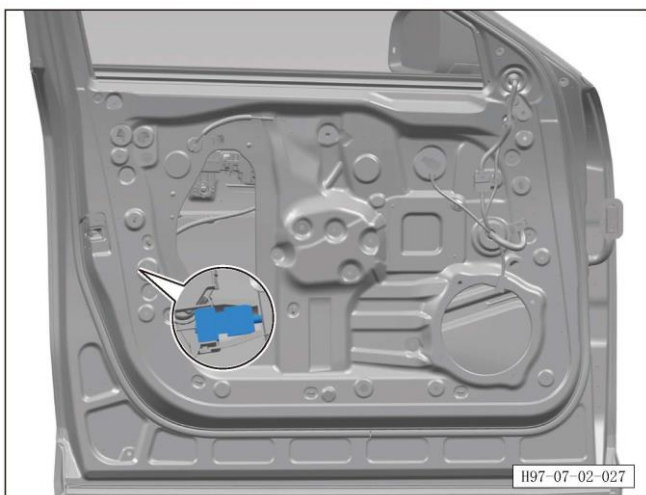
2. Remove the left front door waterproof membrane (refer to [7.2.4.3 Removal and refitting of front door waterproof membrane](#))

3. Remove the front door lock body.

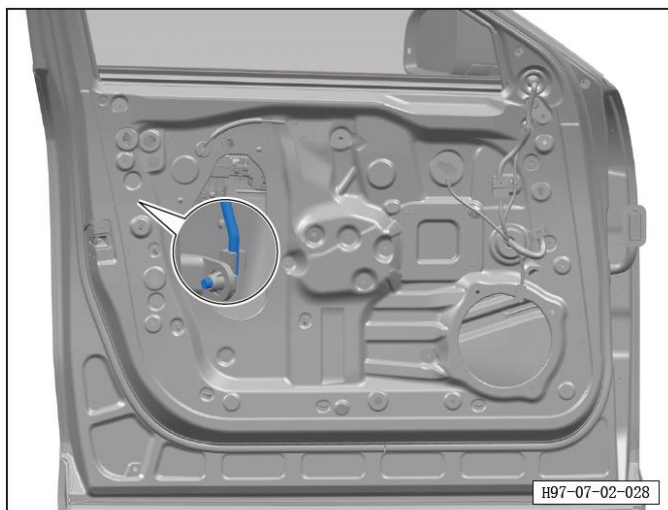
a. Disconnect the left front door lock connectors.



b. Disconnect the left front door inner release cable connectors.





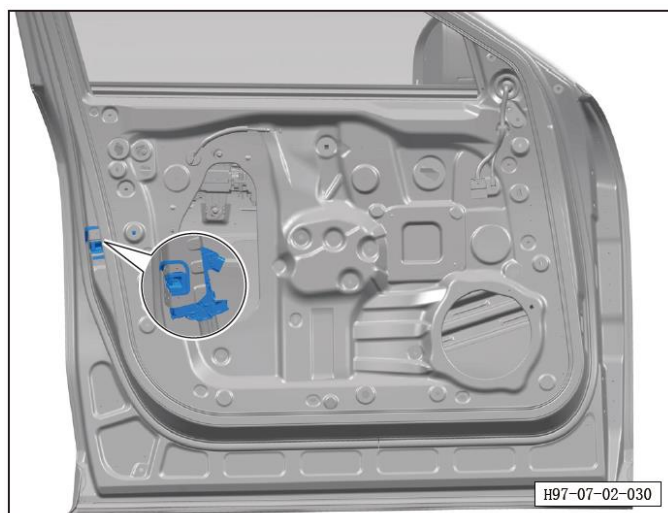


c. Disengage left front door lock cylinder linkage.



d. Unscrew 3 fixing screws of the left front door lock body.

Tightening torque of screw:  $10\pm 1\text{Nm}$



e. Remove the left front door lock body.

Refitting procedure

The refitting procedure is performed in reverse order.

#### 7.2.4.14 Removal and refitting of door buckle assembly

Removal procedure

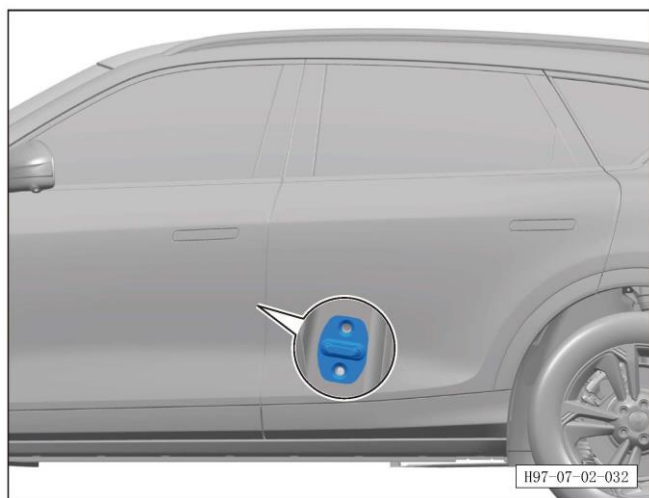
Note:

- The following is the removal and refitting of the left front door buckle assembly, which can be referred to for the operations on the right side. and the rear door.

1. Remove the left front door buckle assembly.

a. Unscrew 2 fixing screws of the left front door buckle.

Tightening torque of screw:  $20\pm 3\text{Nm}$



b. Remove the left front door buckle.

Refitting procedure

The refitting procedure is performed in reverse order.

### 7.2.4.15 Removal and refitting of front door window channel assembly

Removal procedure

Note:

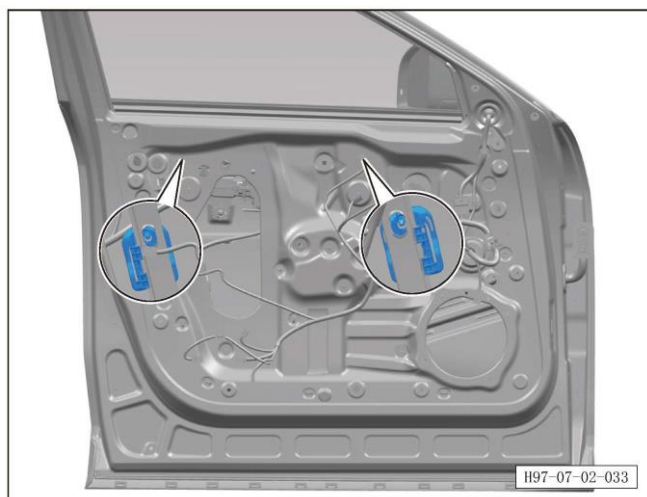
- The following is the removal and refitting of the left front door window, which can be referred to for the operations on the right side.

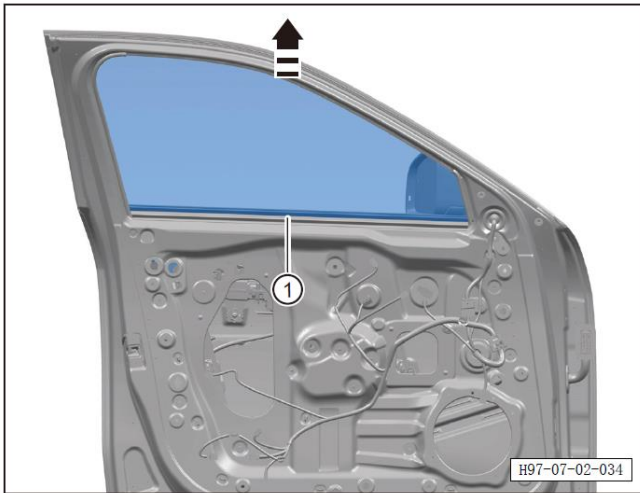
1. Remove the left front door trim panel assembly (refer to [8.4.2.1 Removal and refitting of front door trim panel assembly](#))
2. Remove the left front door sill outer sealing strip assembly (refer to [7.2.5.7 Removal and refitting of front door sill outer sealing strip assembly](#))
3. Remove the left front door sill inner sealing strip assembly (refer to [7.2.5.8 Removal and refitting of front door sill inner sealing strip assembly](#))
4. Remove the left front door waterproof membrane (refer to [7.2.4.3 Removal and refitting of front door waterproof membrane](#))
5. Remove the left front door front waterproof membrane (refer to [7.2.4.11 Removal and refitting of front door front waterproof membrane](#))
6. Remove the left front door window assembly.

CAUTION:

- If the working procedures fails to continue due to the fault of the regulator motor, you can remove the front door window regulator mechanism so as to adjust the window regulator to the removal position.

- a. Lower the left front door window assembly until you can see the fixing slide of the front door window assembly.
- b. Disengage the fixing slide.





c. Remove the left front door window ① as indicated by the arrow.

Refitting procedure

The refitting procedure is performed in reverse order.

### 7.2.4.16 Removal and refitting of front door front waterproof membrane

Removal procedure

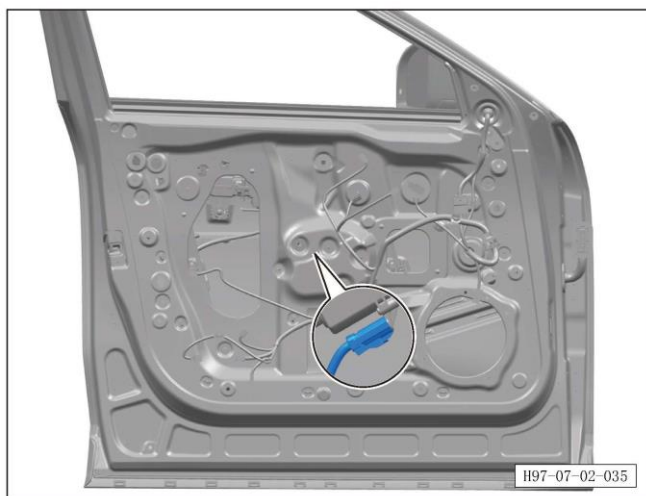
Note:

- The following is the removal and refitting of the left front door window regulator assembly, which can be referred to for the operations on the right side.

1. Remove the left front door window (refer to [7.2.4.15 Removal and refitting of front door window channel assembly](#))

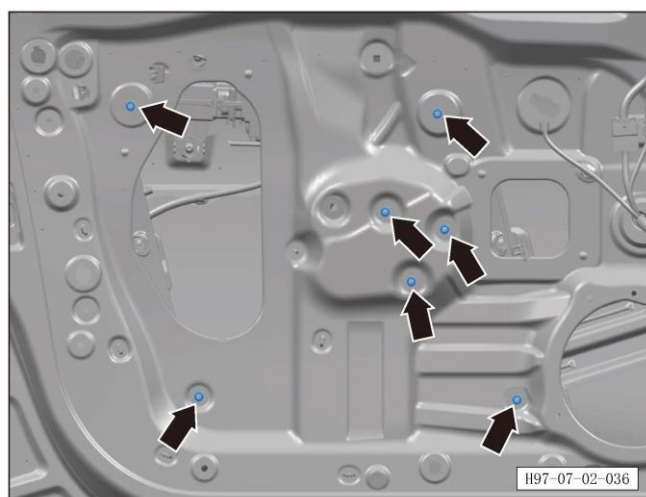
2. Remove the left front door window regulator assembly.

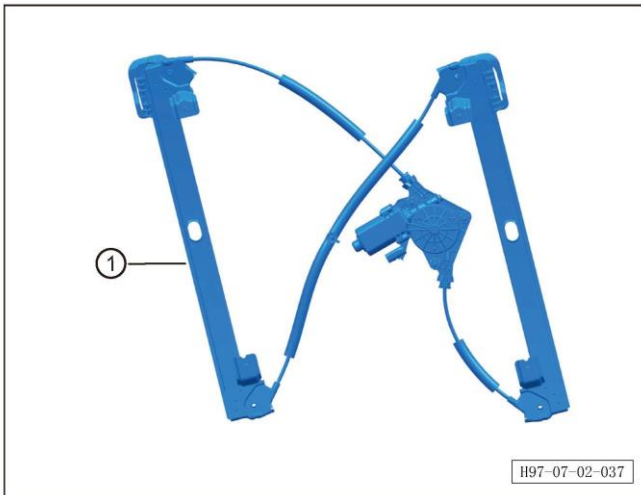
a. Disconnect the front door window regulator motor connectors.



b. Unscrew 7 fixing bolts of the left front door window regulator assembly.

Tightening torque of bolt:  $8\pm 1\text{Nm}$ .





c. Remove the left front door window regulator assembly ①.

Refitting procedure

The refitting procedure is performed in reverse order.

**CAUTION:**

- Carry out the functional test of the window regulator after the refitting is completed.

### 7.2.4.17 Removal and refitting of front door window channel assembly

Removal procedure

Note:

- The following is the removal and refitting of the left front door window channel assembly, which can be referred to for the operations on the right side.

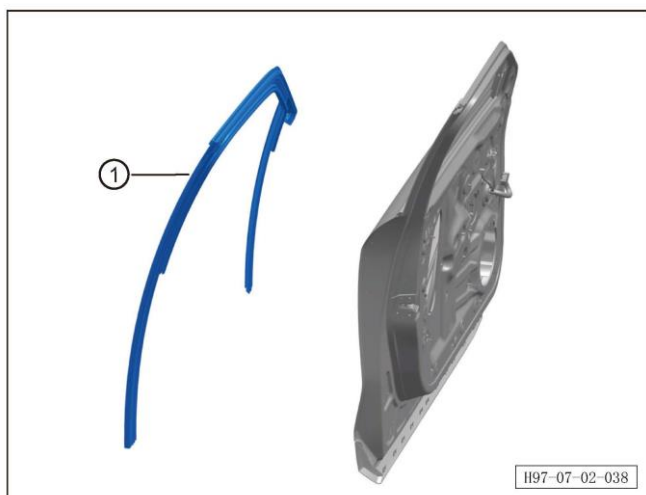
1. Remove the left front door window (refer to [7.2.4.15 Removal and refitting of front door window channel assembly](#))

2. Remove the left front door sill outer sealing strip assembly (refer to [7.2.4.8 Removal and refitting of front door sill outer sealing strip assembly](#))

3. Remove the left front door sill inner sealing strip assembly (refer to [7.2.4.9 Removal and refitting of front door sill inner sealing strip assembly](#))

4. Remove the left front door window channel assembly.

a. Remove the left front door window channel assembly ①.



Refitting procedure

The refitting procedure is performed in reverse order.

### 7.2.4.18 Removal and refitting of front door rail assembly

Removal procedure

Note:

- The following is the removal and refitting of the left front door rail assembly, which can be referred to for the operations on the right side.

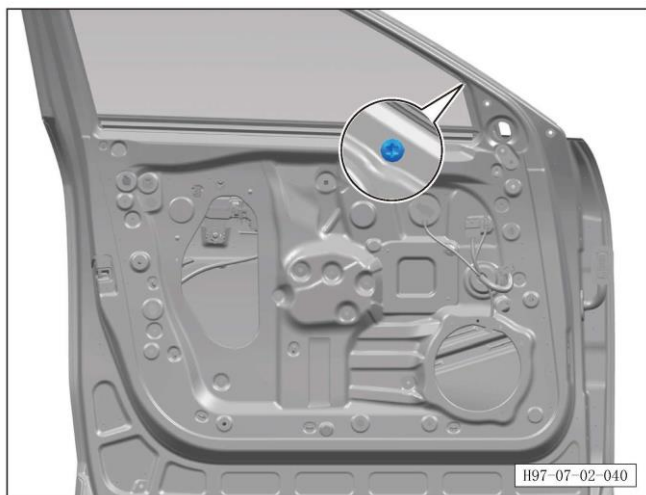
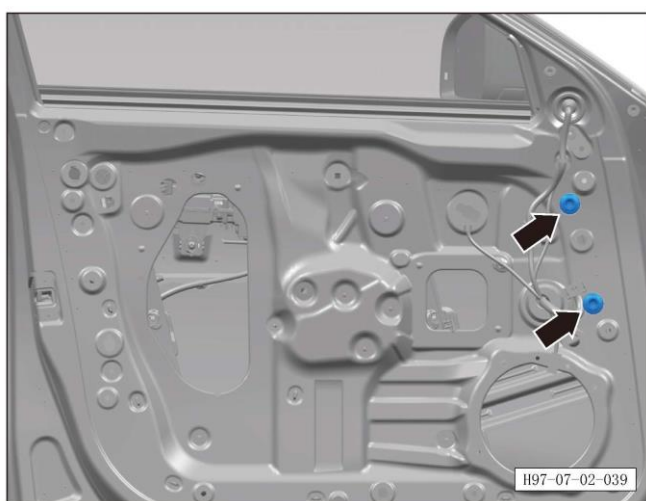
1. Remove the left front door window channel (refer to [7.2.4.17 Removal and refitting of front door window channel assembly](#))

2. Remove the left front door trim panel assembly (refer to [8.4.2.1 Removal and refitting of front door trim panel assembly](#))

3. Remove the left front door rail assembly.

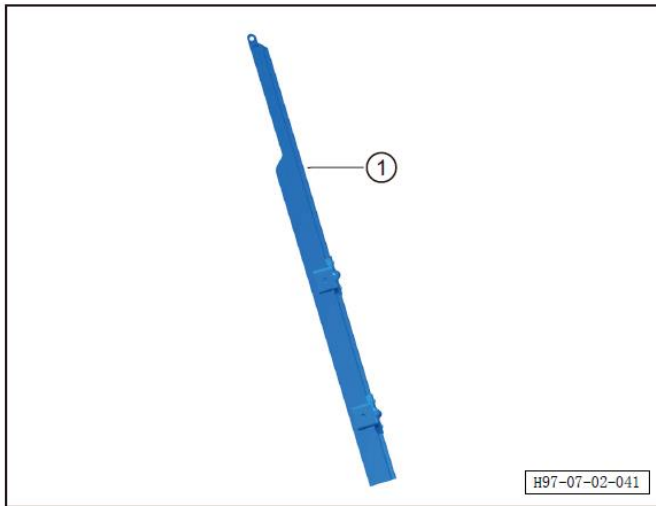
a. Unscrew 2 fixing bolts of the left front door rail.

Tightening torque of bolt:  $8\pm 1\text{Nm}$ .



b Unscrew the upper screws of the left front door rail assembly.





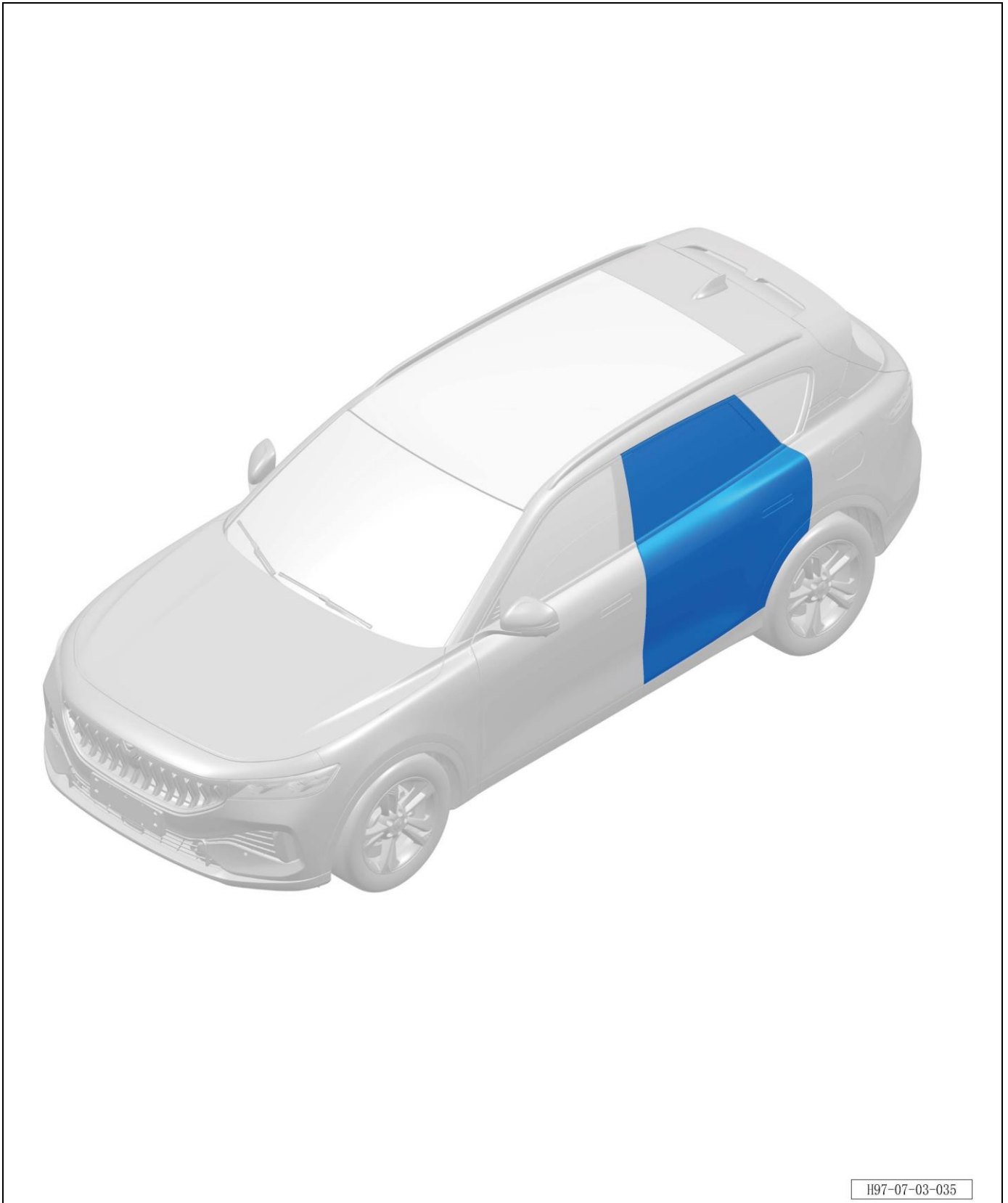
c. Remove the left front door rail assembly ①.

Refitting procedure

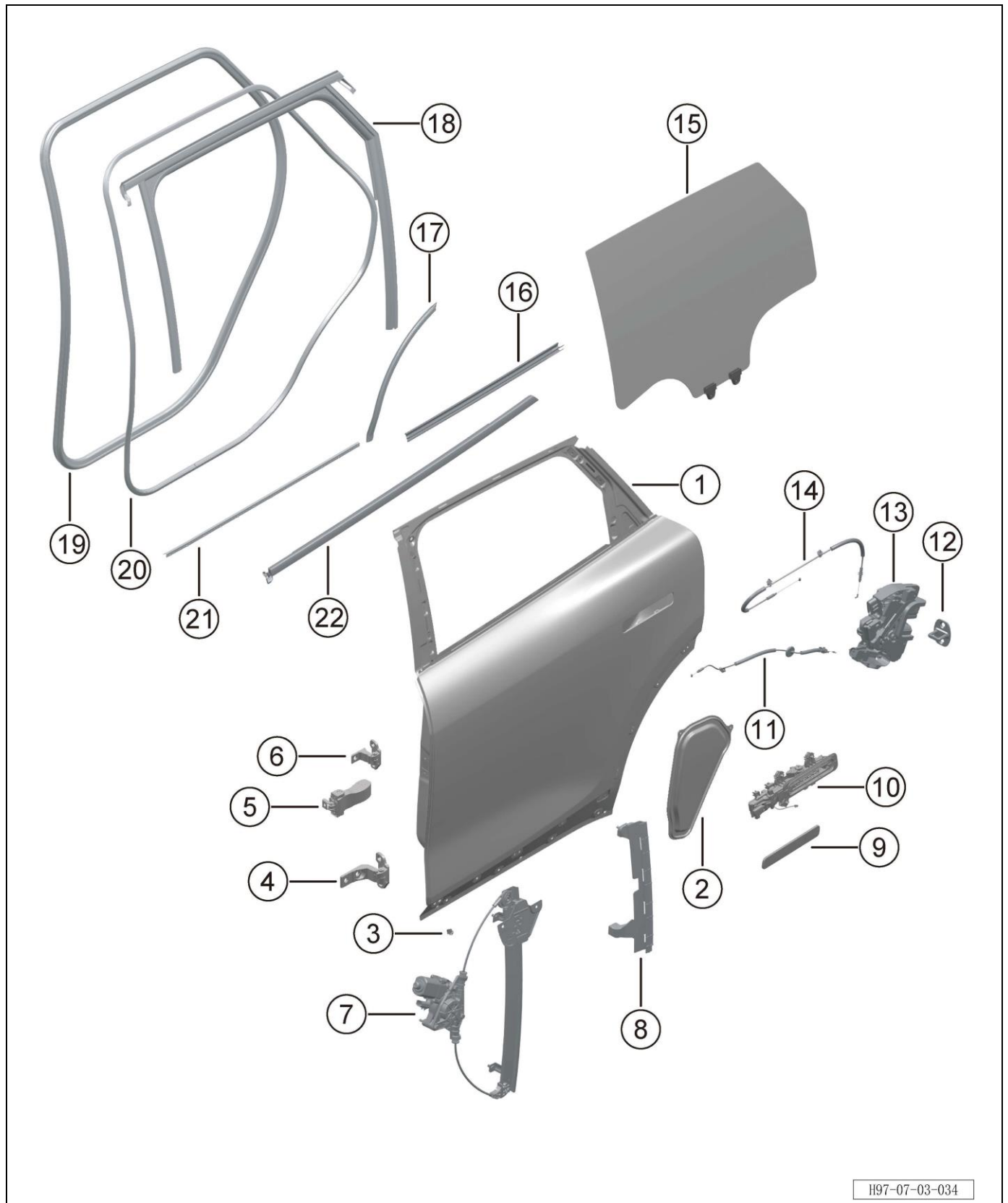
The refitting procedure is performed in reverse order.

## 7.3 Rear door

### 7.3.1 Position diagram of parts



7.3.2 Exploded view



S/N	Part name	Loading quantity	Remarks
1	Left rear door panel assembly	1	
2	Left rear door waterproof membrane	1	
3	Front and rear door buffer cushions	1	
4	Front door lower hinge assembly (left)	1	
5	Rear door stopper assembly	1	
6	Front door upper hinge assembly (left)	1	
7	Left rear door window regulator assembly	1	
8	Left rear door window rear rail	1	
9	Left rear door outside handle housing	1	
10	Left rear door outside handle assembly	1	
11	Rear door outside release cable assembly	1	
12	Door buckle assembly	1	
13	Left rear door lock body	1	
14	Rear door inner release cable assembly	1	
15	Left rear door window	1	
16	Left rear door sill inner sealing strip assembly	1	
17	Left rear door wheel trim antifouling strip assembly	1	
18	Left rear door window channel assembly	1	
19	Left rear door frame sealing strip assembly	1	
20	Left rear door sealing strip assembly	1	
21	Left rear door antifouling strip assembly	1	
22	Left rear door sill outer sealing strip assembly	1	

### 7.3.3 Rear door sheet metal

#### 7.3.3.1 Removal and refitting of rear door assembly

Removal procedure

Note:

- The following is the removal and refitting of the left front door assembly, which can be referred to for the operations on the right side.

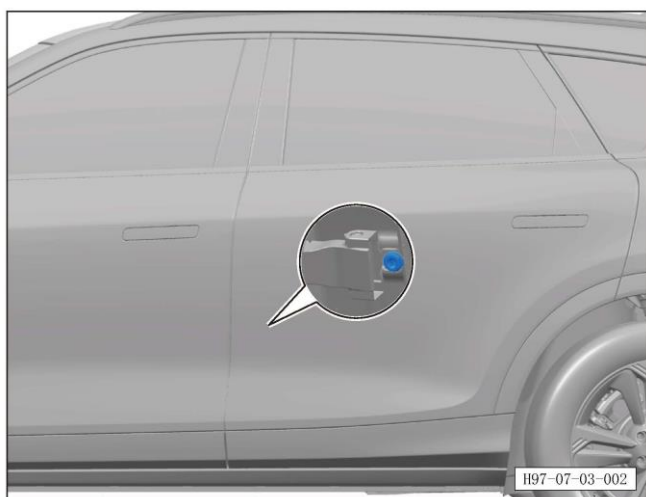
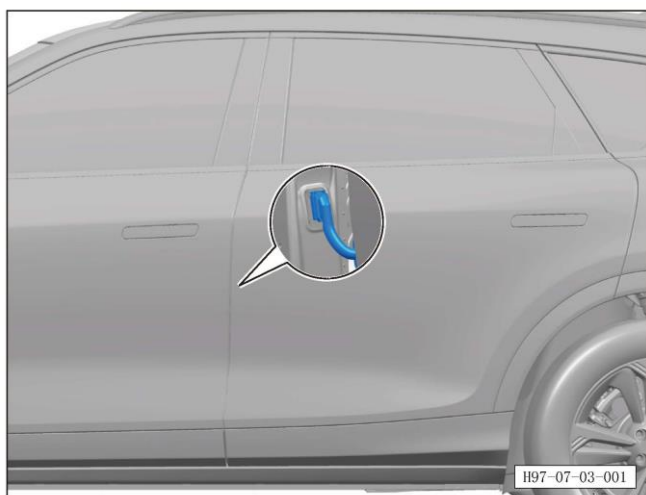
- The removal of the door assembly must be performed with the assistance of another technician.

1. Turn off all electrical appliances and turn off the start switch.

2. Disconnect the battery negative terminal (refer to [3.1.6.1 Maintenance and inspection of the battery](#))

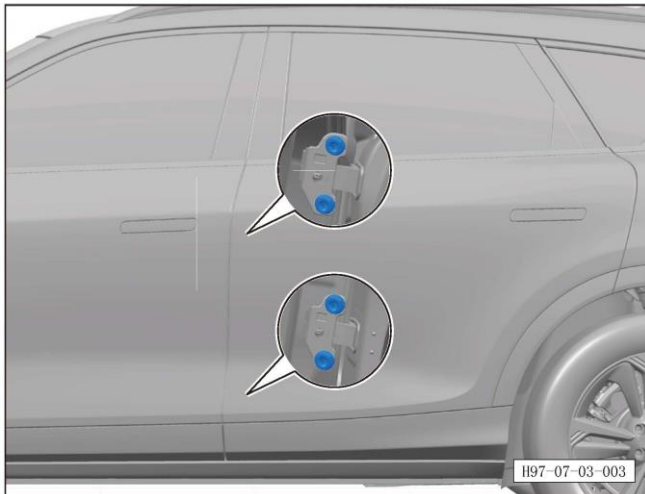
3. Remove the rear door assembly.

- a. Disengage the fixing buckles of the connectors.
- b. Disconnect the harness connectors.



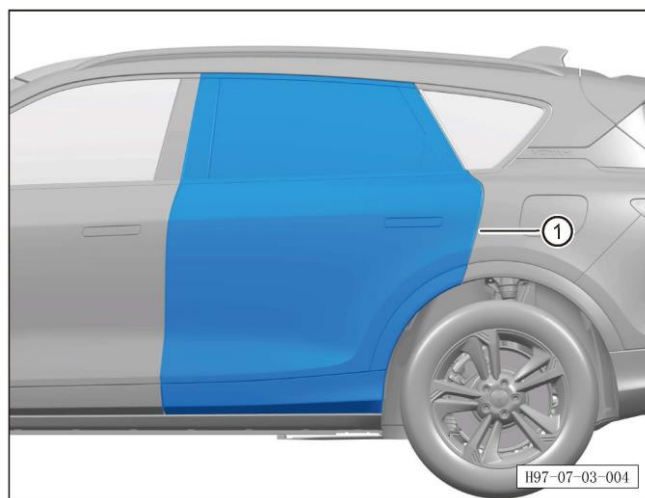
c. Unscrew 1 fixing bolt of the rear door assembly stopper (at the side wall).

Tightening torque of bolt:  $20\pm 3\text{Nm}$ .



d. Unscrew 4 fixing bolts of the rear door hinge (at the door).

Tightening torque of bolt:  $30\pm 5\text{Nm}$ .



e. Remove the rear door assembly ①.

Refitting procedure

The refitting procedure is performed in reverse order.

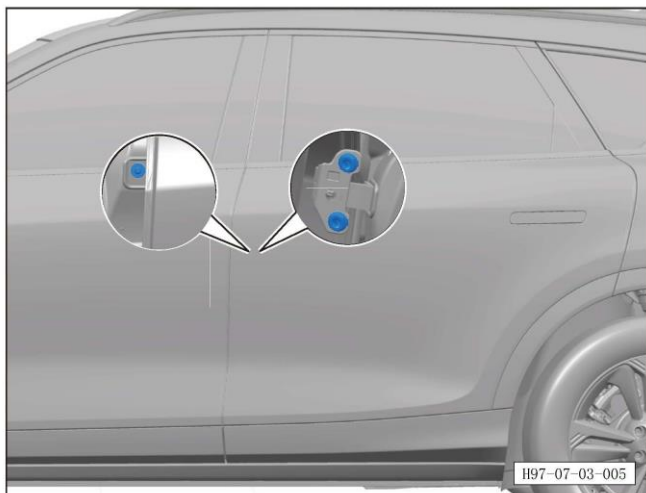
### 7.3.3.2 Removal and refitting of rear door hinge

Removal procedure

Note:

- The following is the removal and refitting of the left front door hinge, which can be referred to for the operations on the right side.

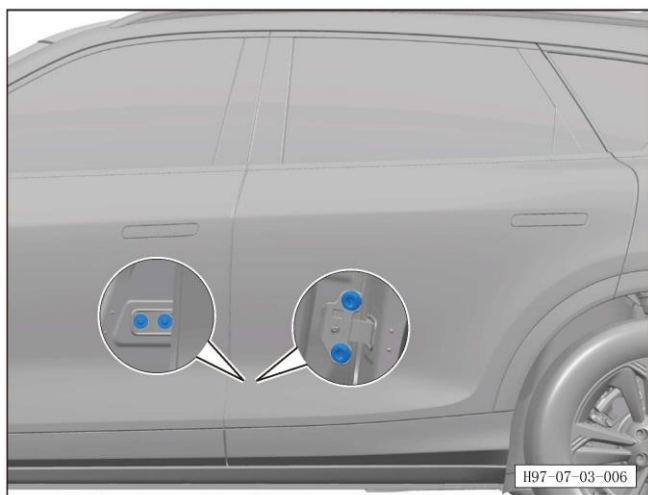
1. Remove the tailgate hinge.



a. Unscrew 1 fixing bolt of the rear door upper hinge (at the side wall).

b. Unscrew 2 fixing bolts of the rear door upper hinge (at the door).

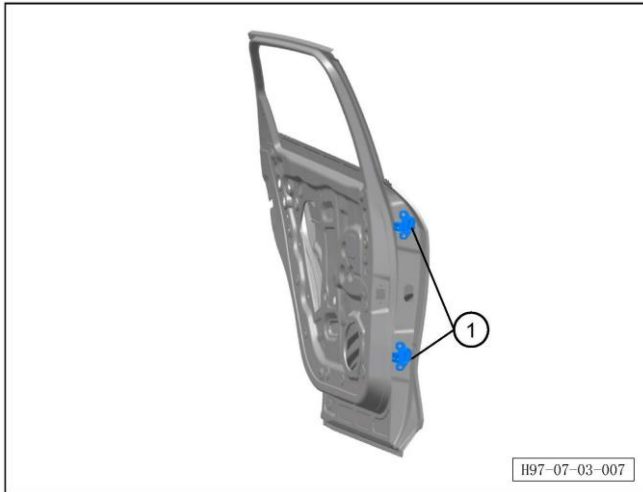
Tightening torque of bolt:  $30\pm 5\text{Nm}$ .



c. Unscrew 2 fixing bolts of the rear door lower hinge (at the side wall).

d. Unscrew 2 fixing bolts of the rear door lower hinge (at the door).

Tightening torque of bolt:  $30\pm 5\text{Nm}$ .



e. Remove the rear door hinge assembly ①.

#### Refitting procedure

The refitting procedure is performed in reverse order.

#### CAUTION:

- The removal and refitting of the hinge shall be performed with another technician holding the door.



### 7.3.4 Rear door accessories

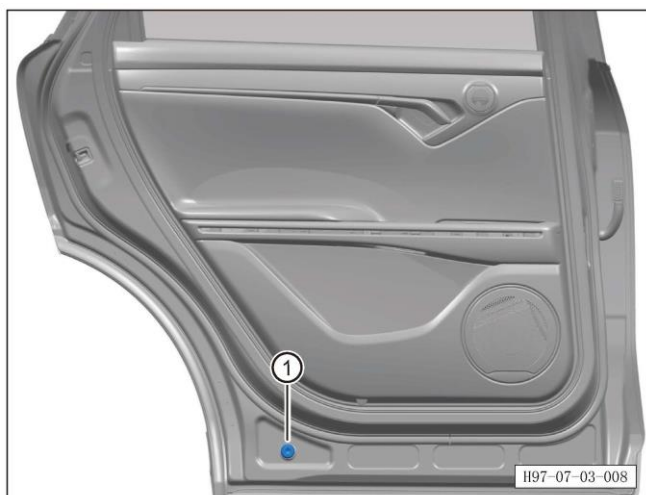
#### 7.3.4.1 Removal and refitting of rear door buffer cushion

Removal procedure

Note:

- The following is the removal and refitting of the left front door buffer cushion, which can be referred to for the operations on the right side.

1. Open the left rear door.
2. Remove the left rear door buffer cushion.
  - a. Unscrew the left rear door buffer cushion.



Refitting procedure

The refitting procedure is performed in reverse order.

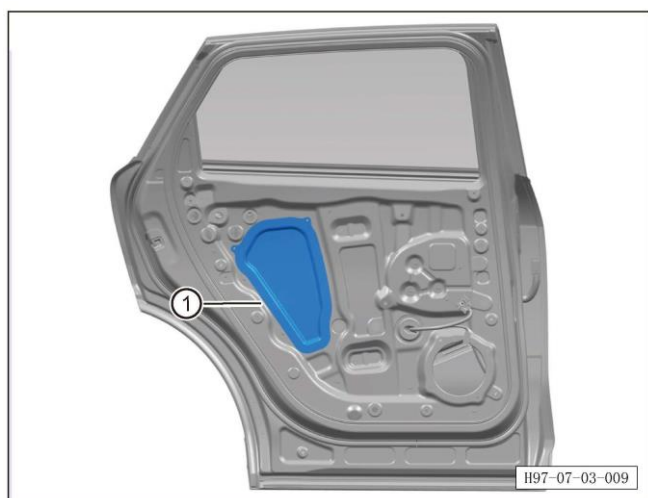
### 7.3.4.2 Removal and refitting of rear door waterproof membrane

Removal procedure

Note:

- The following is the removal and refitting of the left front door waterproof membrane, which can be referred to for the operations on the right side.

1. Remove the left rear door trim panel assembly (refer to [8.4.3.1 Removal and refitting of rear door trim panel assembly](#))
2. Remove the left rear door waterproof membrane.
  - a. Lift the left rear door waterproof membrane ①.



Refitting procedure

The refitting procedure is performed in reverse order.

**CAUTION:**

- Check the sealing of the waterproof membrane after refitting to avoid the water leakage.

### 7.3.4.3 Removal and refitting of rear door outside handle

Removal procedure

Note:

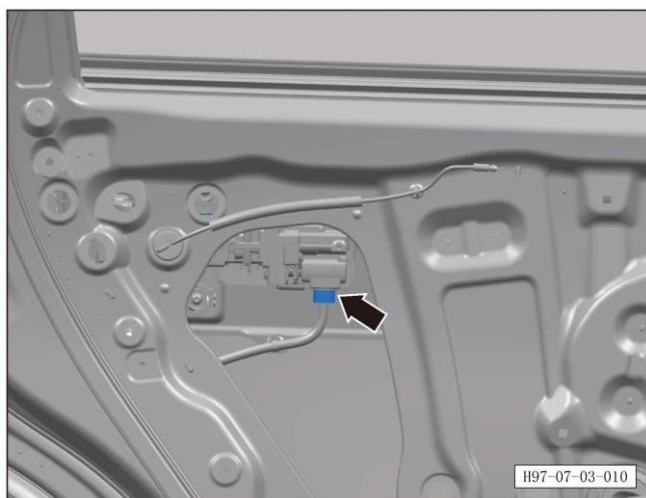
- The following is the removal and refitting of the left front door outside handle, which can be referred to for the operations on the right side.

1. Remove the left rear door trim panel assembly (refer to [8.4.2.1 Removal and refitting of rear door trim panel assembly](#))

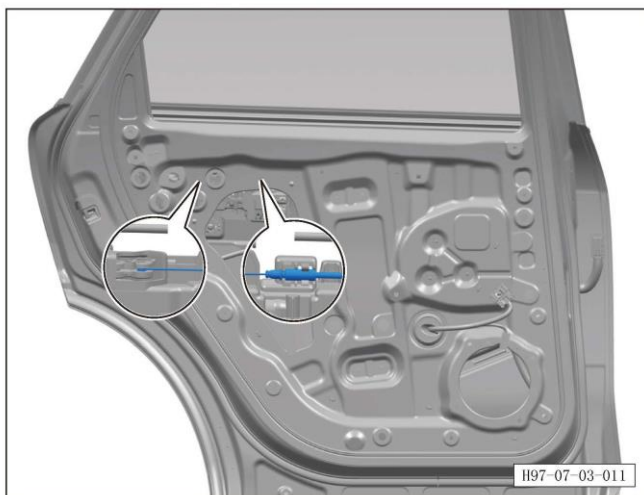
2. Remove the left rear door waterproof membrane (refer to [7.3.4.2 Removal and refitting of rear door waterproof membrane](#))

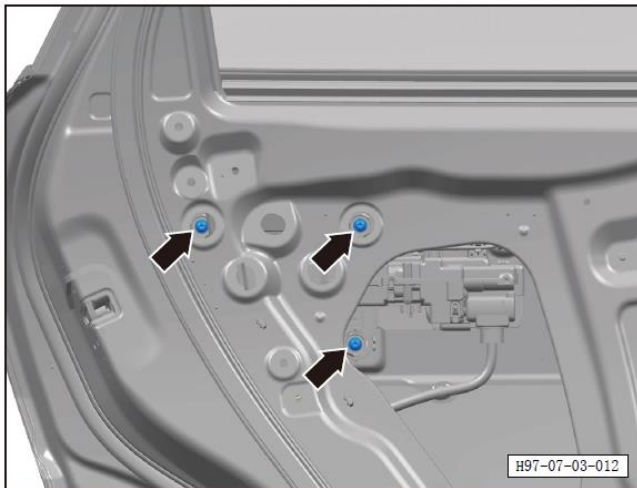
3. Remove the left rear door outside handle.

a. Disconnect the left rear door harness connectors.



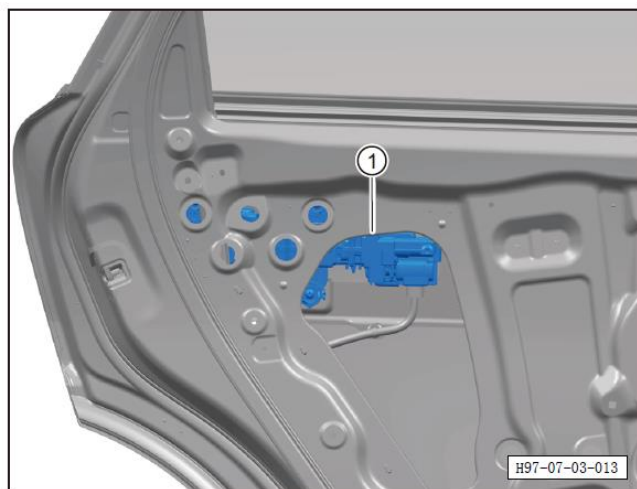
b. Disengage the left rear door outside release cable.





c. Unscrew 3 fixing screws of the left rear door outside handle.

Tightening torque of screw:  $8\pm 1\text{Nm}$



d. Remove the left front door outside handle ①.

Refitting procedure

The refitting procedure is performed in reverse order.

### 7.3.4.4 Removal and refitting of rear door outside handle housing

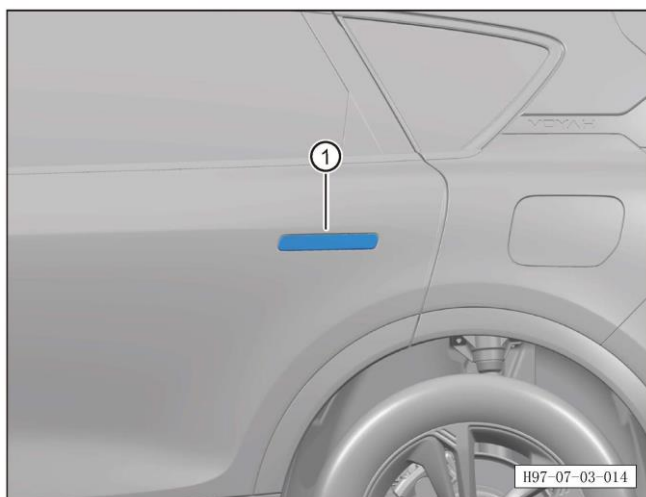
Removal procedure

Note:

- The following is the removal and refitting of the left front door outside handle housing, which can be referred to for the operations on the right side.

1. Remove the left rear door outside handle housing.

- a. Eject the left rear door outside handle housing.
- b. Disengage the left rear door outside handle housing ①.



Refitting procedure

1. Refit the Left rear door outside handle housing.

- a. Press the left part of the left rear door outside handle housing into the vehicle at first.
- b. Then refit the left rear door outside handle housing ① into the vehicle.

### 7.3.4.5 Removal and refitting of rear door sealing strip assembly

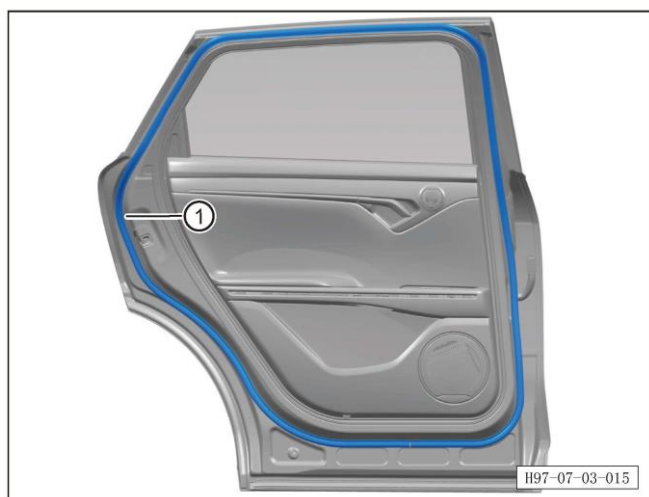
Removal procedure

Note:

- The following is the removal and refitting of the left front door sealing strip assembly, which can be referred to for the operations on the right side.

1. Remove the left rear door sealing strip assembly.

a. Remove the left rear door sealing strip assembly ① from the body flange.



Refitting procedure

The refitting procedure is performed in reverse order.

### 7.3.4.6 Removal and refitting of rear door frame sealing strip assembly

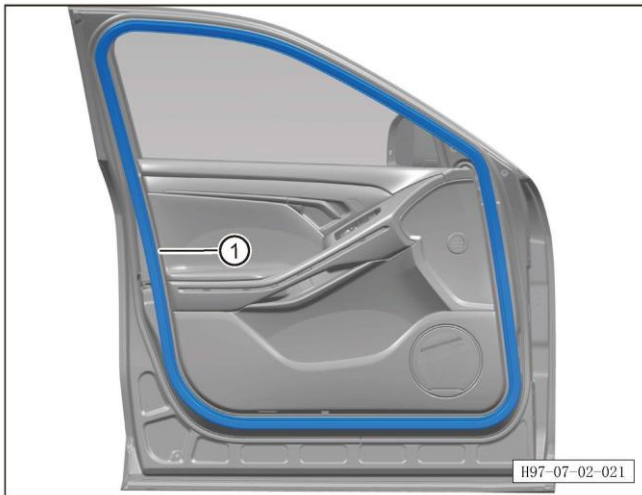
Removal procedure

Note:

- The following is the removal and refitting of the left front door frame sealing strip assembly, which can be referred to for the operations on the right side.

1. Remove the left rear door frame sealing strip assembly.

a. Remove the left rear door frame sealing strip assembly ① from the body flange.



Refitting procedure

The refitting procedure is performed in reverse order.

### 7.3.4.7 Removal and refitting of rear door sill outer sealing strip assembly

Removal procedure

Note:

- The following is the removal and refitting of the left front door sill outer sealing strip assembly, which can be referred to for the operations on the right side.

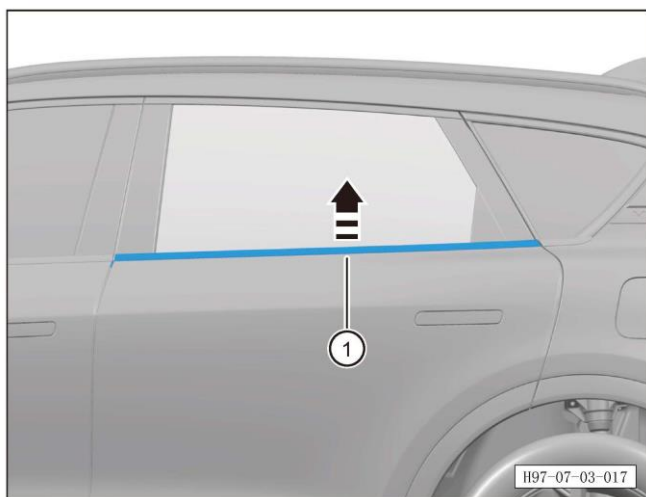
1. Remove the left rear door sill outer sealing strip.

a. Lower the left rear door window to the lowest position.

b. as indicated by the arrow Disengage left rear door sill outer sealing strip ①.

**CAUTION:**

- Do not bend the rear door sill outer sealing strip as it is deformable.



Refitting procedure

The refitting procedure is performed in reverse order.



### 7.3.4.8 Removal and refitting of rear door sill outer sealing strip assembly

Removal procedure

Note:

- The following is the removal and refitting of the left front door sill inner sealing strip assembly, which can be referred to for the operations on the right side.

1. Remove the left rear door trim panel assembly (refer to [8.4.3.1 Removal and refitting of rear door trim panel assembly](#))

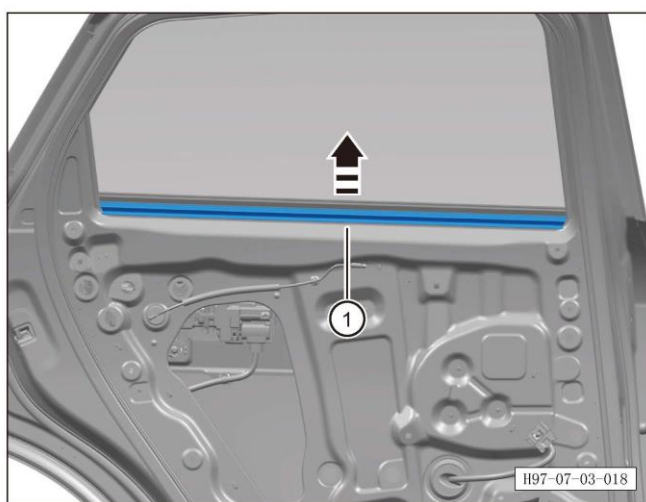
2. Remove the left rear door sill inner sealing strip.

a. Lower the left rear door window to the lowest position.

b. as indicated by the arrow Disengage left rear door sill inner sealing strip ①.

**CAUTION:**

- Do not bend the rear door sill outer sealing strip as it is deformable.



Refitting procedure

The refitting procedure is performed in reverse order.

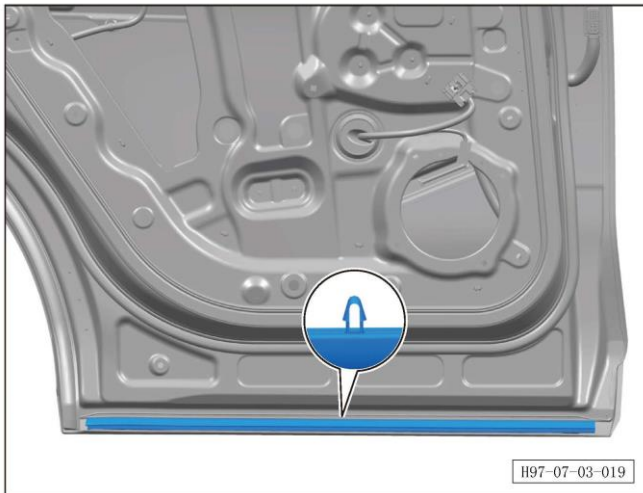
### 7.3.4.9 Removal and refitting of rear door antifouling strip assembly

Removal procedure

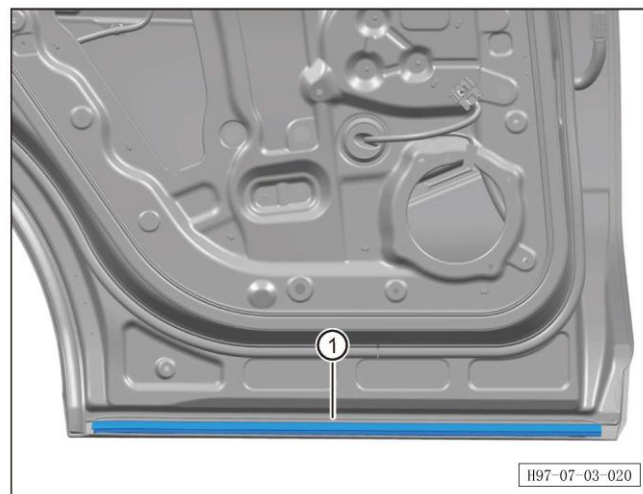
Note:

- The following is the removal and refitting of the left rear door antifouling strip, which can be referred to for the operations on the right side.

1. Remove the left rear door antifouling strip assembly.



a. Disengage 12 fixing clip of the left rear door antifouling strip assembly.



b. Remove the left rear door antifouling strip assembly ①.

Refitting procedure

The refitting procedure is performed in reverse order.

### 7.3.4.10 Removal and refitting of rear door wheel trim anti-strip assembly

Removal procedure

Note:

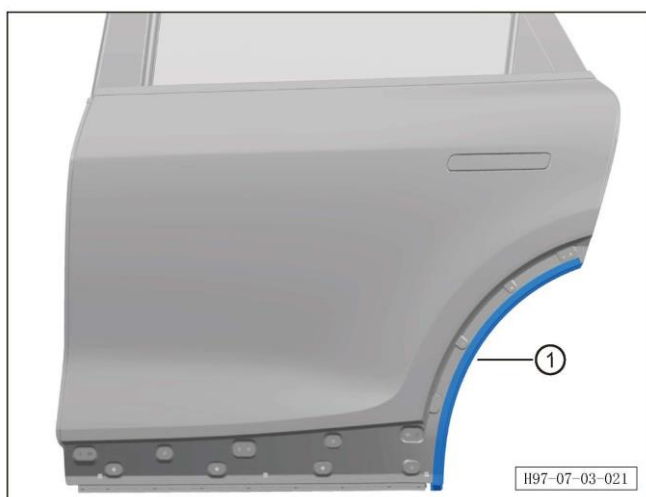
- The following is the removal and refitting of the left front door wheel trim antifouling strip, which can be referred to for the operations on the right side.

1. Remove the front section of the left rear wheel trim assembly (refer to [8.6.6.4 Removal and refitting of front section of the rear wheel trim assembly](#))

2. Remove the left rear door guard strip assembly (refer to [8.6.6.3 Removal and refitting of rear door guard strip assembly](#))

3. Remove the left rear door wheel trim antifouling strip assembly.

a. Disengage left rear door wheel trim antifouling strip assembly ①.



Refitting procedure

The refitting procedure is performed in reverse order.

### 7.3.4.11 Removal and refitting of rear door lock body assembly

Removal procedure

Note:

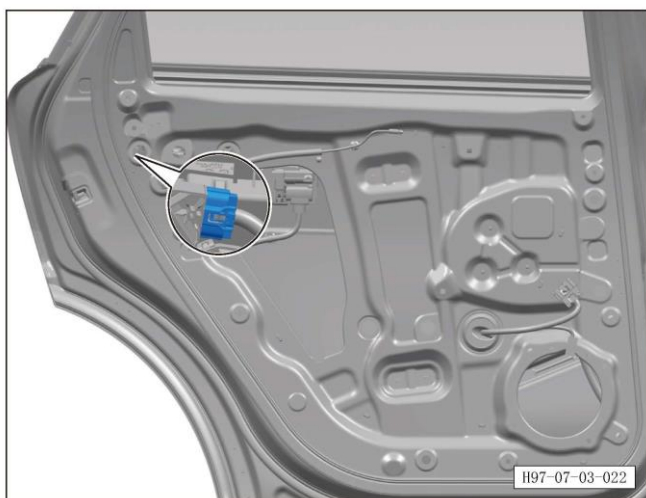
- The following is the removal and refitting of the left front door lock body, which can be referred to for the operations on the right side.

1. Remove the left rear door trim panel assembly (refer to 8.4.3.1 Removal and refitting of rear door trim panel assembly)

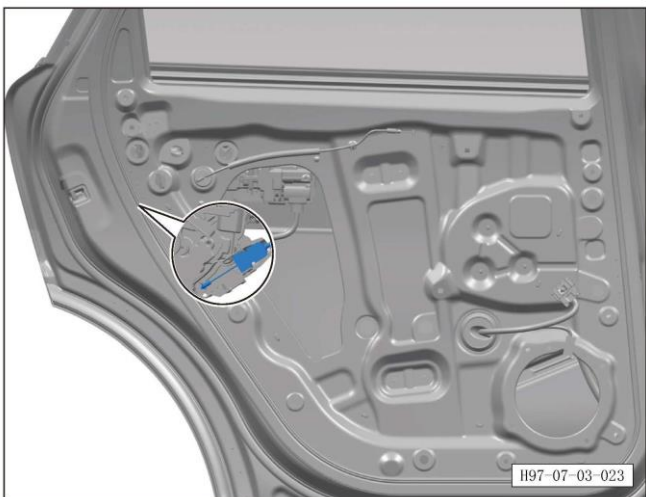
2. Remove the left rear door waterproof membrane (refer to [7.3.4.2 Removal and refitting of rear door waterproof membrane](#))

3. Remove the left rear door lock body.

a. Disconnect the left rear door lock connectors.



b. Disconnect the left rear door inner release cable connectors.

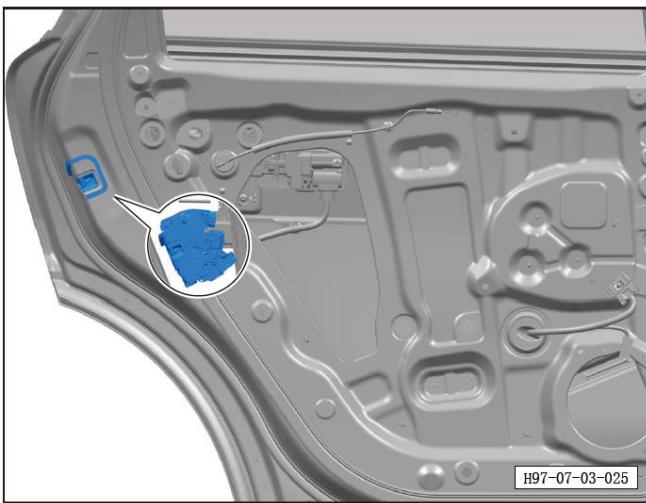




c. Unscrew 3 fixing screws of the left rear door lock body.

Tightening torque of screw:  $8\pm 1\text{Nm}$

d. Remove the left rear door lock body.



Refitting procedure

The refitting procedure is performed in reverse order.

### 7.3.4.12 Removal and refitting of rear door window assembly

Removal procedure

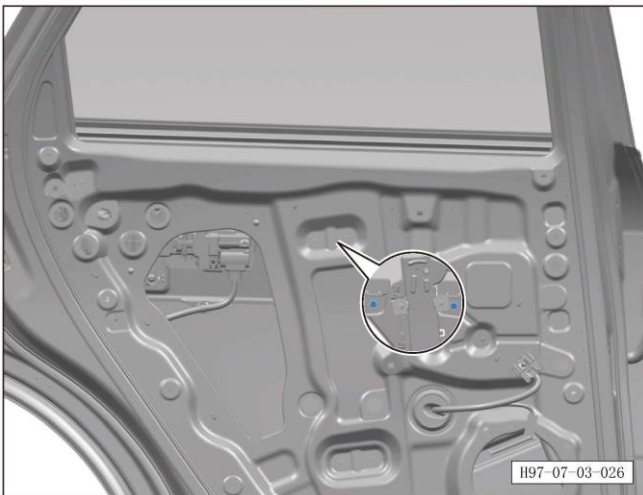
Note:

- The following is the removal and refitting of the left front door window, which can be referred to for the operations on the right side.

1. Remove the left rear door trim panel assembly (refer to [8.4.3.1 Removal and refitting of rear door trim panel assembly](#))
2. Remove the left rear door sill outer sealing strip assembly (refer to [7.3.4.7 Removal and refitting of rear door sill outer sealing strip assembly](#))
3. Remove the left rear door sill inner sealing strip assembly (refer to [7.3.4.8 Removal and refitting of rear door sill inner sealing strip assembly](#))
4. Remove the left rear door waterproof membrane (refer to [7.3.4.2 Removal and refitting of rear door waterproof membrane](#))
5. Remove the left rear door window assembly.

CAUTION:

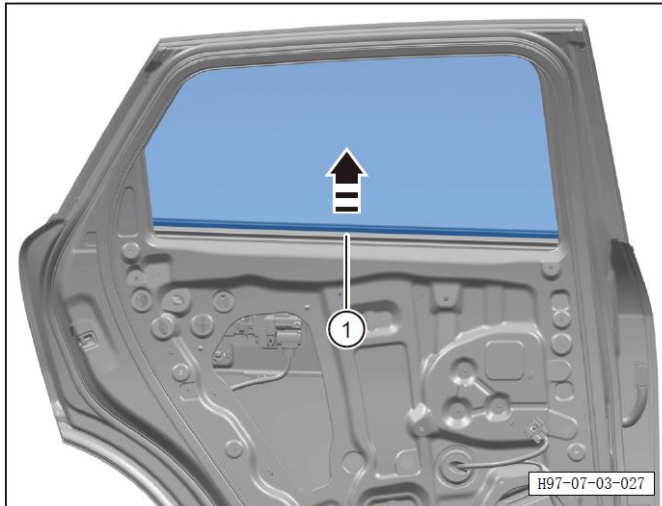
- If the working procedures fails to continue due to the fault of the regulator motor, you can remove the rear door window regulator mechanism so as to adjust the window regulator to the removal position.



a. Lower the left rear door window assembly until you can see the fixing bolts of the rear door window assembly.

b. Disengage 2 fixing bolts of the left rear door window assembly.

Tightening torque of bolt:  $10 \pm 1 \text{Nm}$ .



c. Remove the left rear door window assembly ① as indicated by the arrow.

Refitting procedure

The refitting procedure is performed in reverse order.

### 7.3.4.13 Removal and refitting of rear door window regulator assembly

Removal procedure

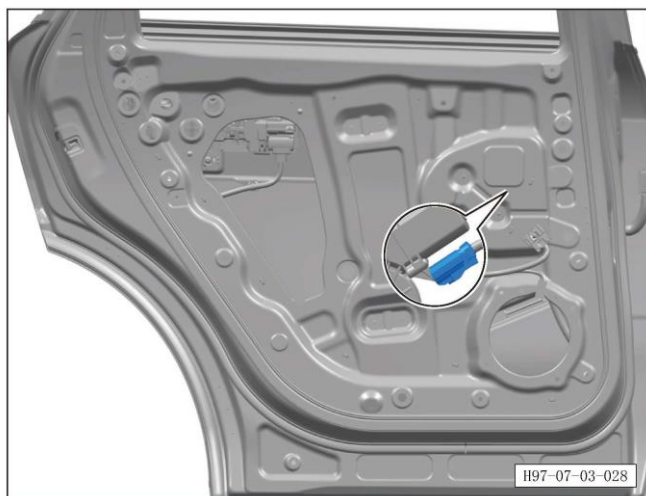
Note:

- The following is the removal and refitting of the left front door window regulator assembly, which can be referred to for the operations on the right side.

1. Remove the left rear door window assembly (refer to [7.3.4.12 Removal and refitting of rear door window assembly](#))

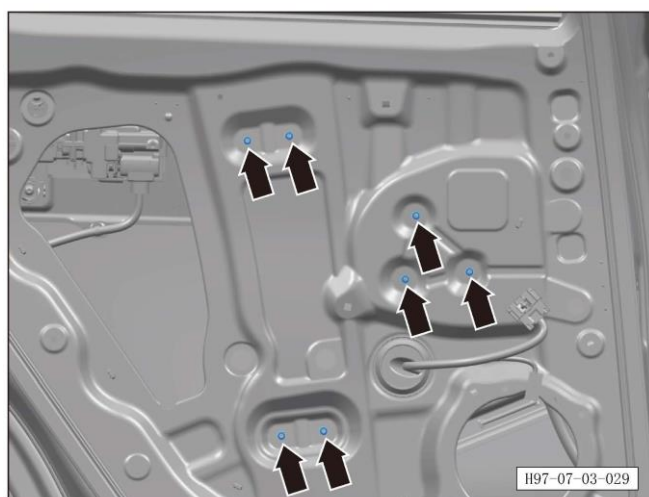
2. Remove the left rear door window regulator assembly.

a. Disconnect the left rear door window regulator connectors.

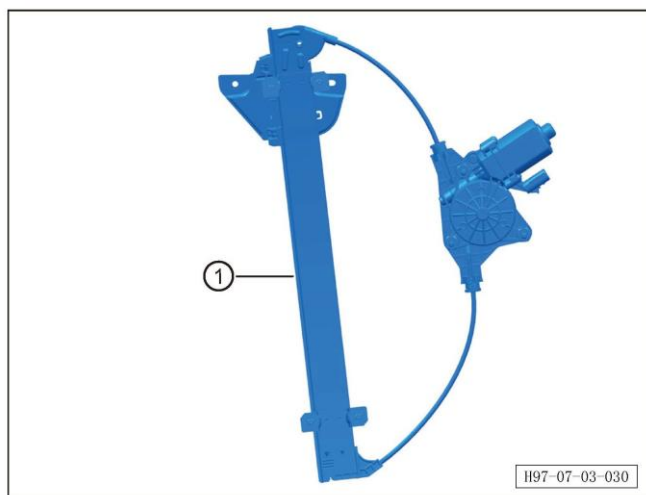


b. Unscrew 7 fixing bolts of the left rear door window regulator assembly.

Tightening torque of bolt:  $8\pm 1$ Nm.







c. Remove the left rear door window regulator assembly ①.

Refitting procedure

The refitting procedure is performed in reverse order.

**CAUTION:**

- Carry out the functional test of the window regulator after the refitting is completed.

### 7.3.4.14 Removal and refitting of rear door window channel assembly

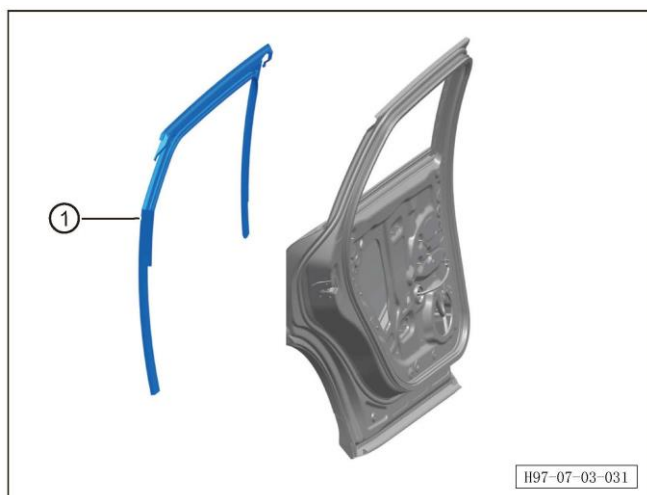
Removal procedure

Note:

- The following is the removal and refitting of the left front door window channel assembly, which can be referred to for the operations on the right side.

1. Remove the left rear door window (refer to [7.3.4.12 Removal and refitting of rear door window](#))
2. Remove the left rear door sill outer sealing strip assembly (refer to [7.3.4.7 Removal and refitting of rear door sill outer sealing strip assembly](#))
3. Remove the left rear door sill inner sealing strip assembly (refer to [7.3.4.8 Removal and refitting of rear door sill inner sealing strip assembly](#))
4. Remove the left rear door window channel assembly.

- a. Remove the left rear door window channel assembly ①.



Refitting procedure

The refitting procedure is performed in reverse order.

### 7.3.4.15 Removal and refitting of rear door window rail

Removal procedure

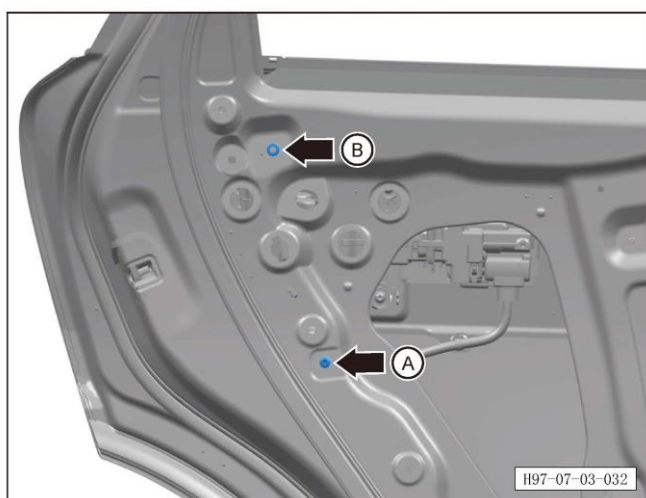
Note:

- The following is the removal and refitting of the left front door window rail assembly, which can be referred to for the operations on the right side.

1. Remove the left rear door window channel assembly (refer to [7.3.4.14 Removal and refitting of rear door window channel assembly](#))

2. Remove the left rear door trim panel assembly (refer to [8.4.3.1 Removal and refitting of rear door trim panel assembly](#))

3. Remove the left front door rail assembly.

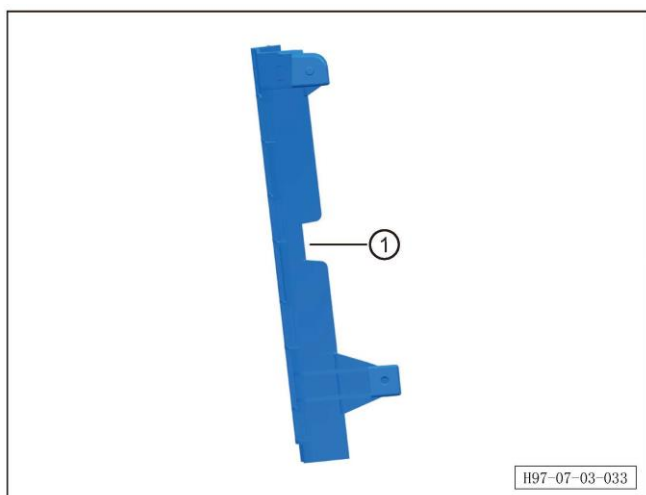


a. Unscrew 1 fixing bolt (shown by arrow A) of the left rear door window rail.

Tightening torque of bolt:  $8\pm 1\text{Nm}$ .

b. Unscrew 1 fixing bolt (shown by arrow B) of the left rear door window rail.

Tightening torque of nut:  $8\pm 1\text{Nm}$ .



c. Remove the left rear door window rail ①.

Refitting procedure

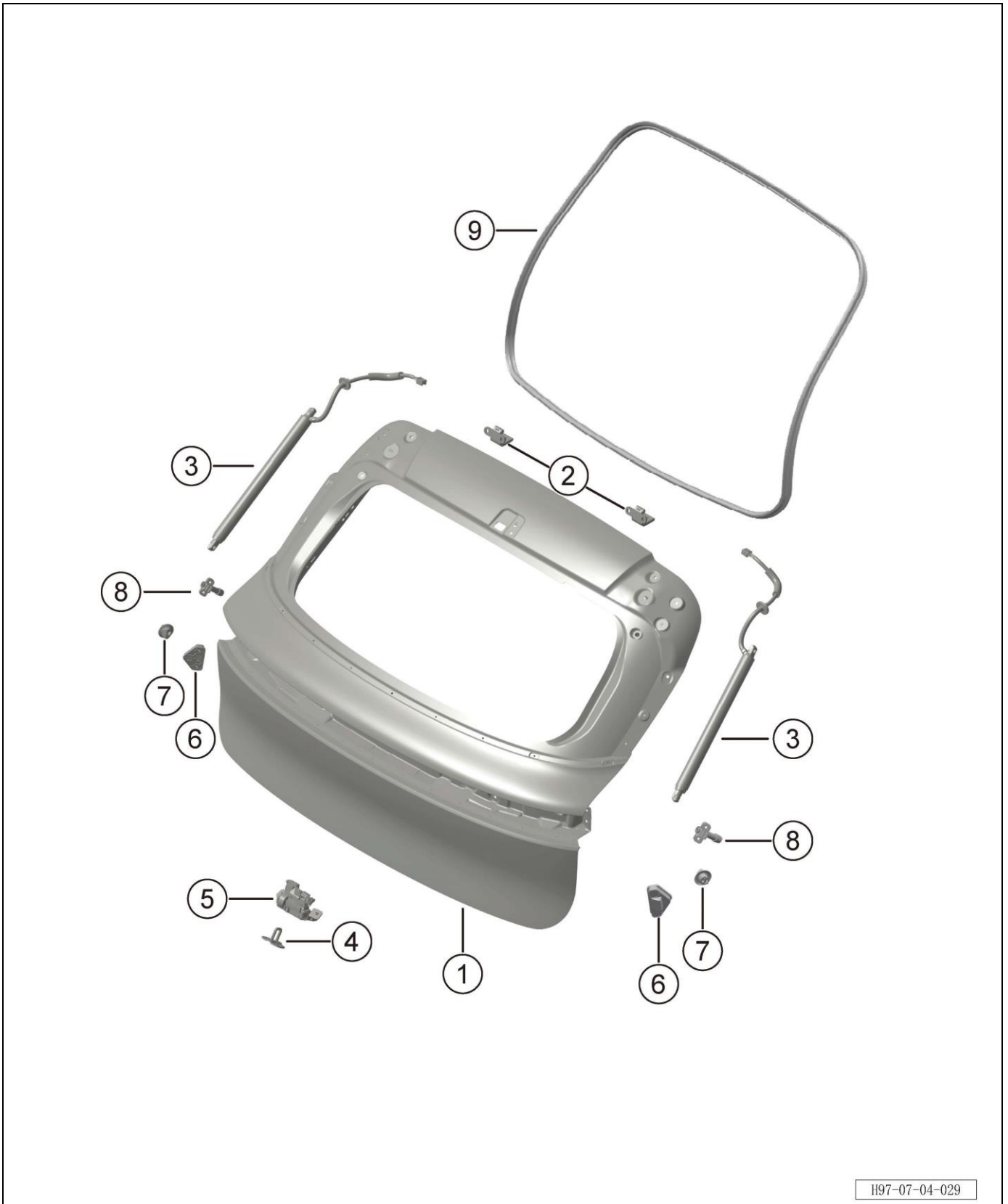
The refitting procedure is performed in reverse order.

## 7.4 Tailgate

### 7.4.1 Position diagram of parts



7.4.2 Exploded view



H97-07-04-029

S/N	Part name	Loading quantity	Remarks
1	Tailgate panel assembly	1	
2	Tailgate hinge assembly	2	
3	Tailgate electric strut assembly	2	
4	Tailgate buckle assembly	1	
5	Tailgate lock assembly	1	
6	Tailgate stopper on the body	2	
7	Tailgate stopper on the door	2	
8	Tailgate stopper	2	
9	Tailgate frame sealing strip assembly	1	

### 7.4.3 Tailgate sheet metal

#### 7.4.3.1 Removal and refitting of tailgate assembly

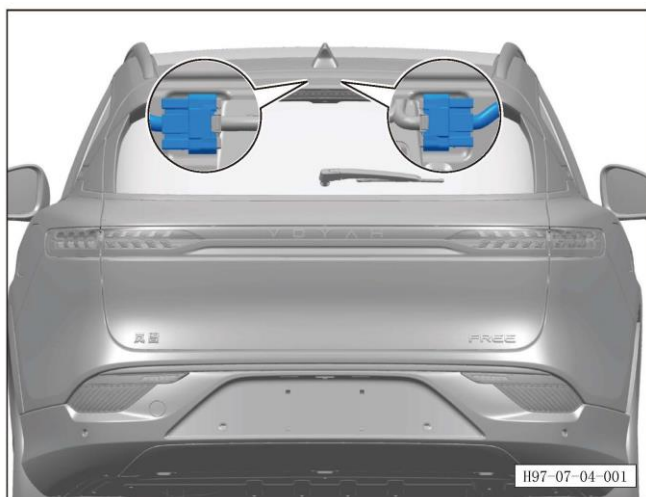
Removal procedure

Note:

- The removal and refitting shall be performed with the assistance of another technician.

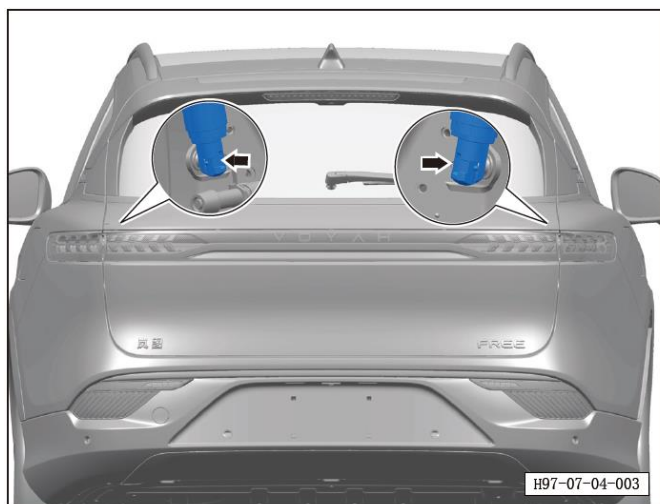
1. Turn off all electrical appliances and turn off the start switch.
2. Disconnect the battery negative terminal (refer to [3.1.6.1 Maintenance and inspection of the battery](#))
3. Open the tailgate assembly.
4. Lift the roof inner trim panel.
5. Remove the tailgate upper trim panel assembly (refer to [8.4.4.1 Removal and refitting of tailgate upper trim panel](#))
6. Remove the tailgate assembly.

a. Disconnect the connector of the trunk harness and separate it from the tailgate assembly.

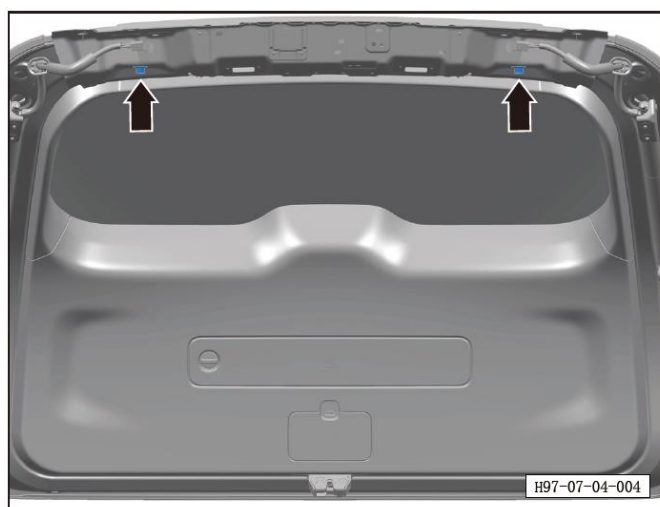


b. Disconnect the connector of the rear antenna cable and separate it from the tailgate assembly.

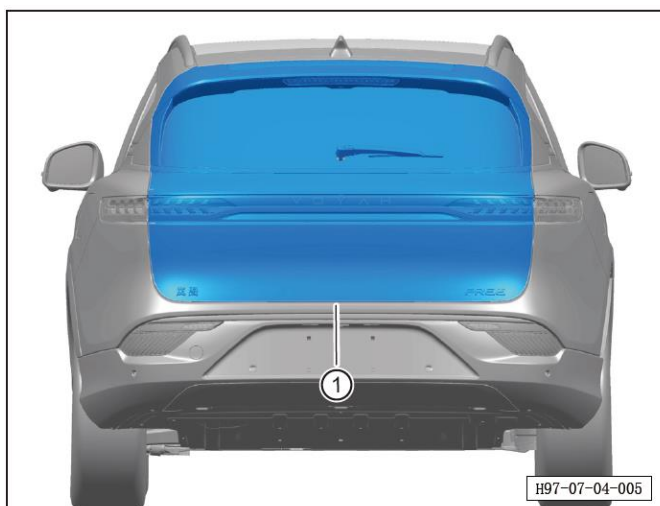




c. Pry up the spring clip with a flat screwdriver and disconnect the left and right engine hood air spring assemblies from the tailgate assembly.



d. Unscrew 2 fixing nuts of the tailgate hinge.  
Tightening torque of nut:  $30 \pm 5 \text{ Nm}$ .



e. Remove the tailgate assembly ①.

Refitting procedure

The refitting procedure is performed in reverse order.



### 7.4.3.2 Removal and refitting of tailgate hinge

Removal procedure

Note:

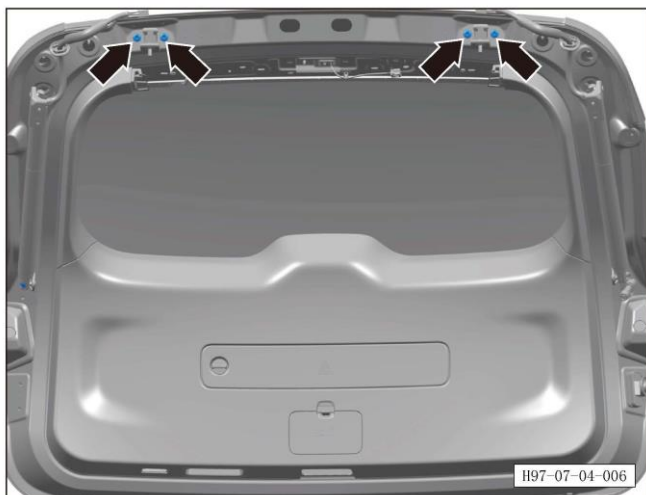
- The removal and refitting shall be performed with the assistance of another technician.

1. Remove the tailgate assembly (refer to [7.4.3.1 Removal and refitting of tailgate assembly](#))

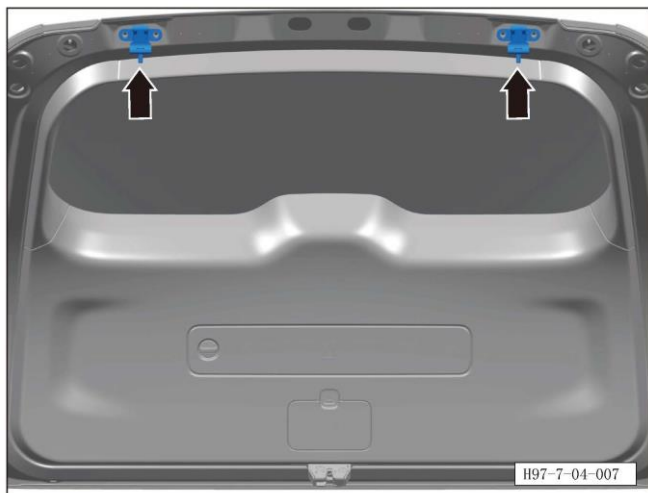
2. Remove the tailgate hinge.

a. Unscrew 4 fixing bolts of the tailgate hinge.

Tightening torque of bolt:  $30\pm 5\text{Nm}$ .



b. Remove the tailgate hinge.



Refitting procedure

The refitting procedure is performed in reverse order.

**CAUTION:**

- It requires another technician to hold the tailgate well during removal.

## 7.4.4 Tailgate accessories

### 7.4.4.1 Removal and refitting of POT strut assembly

Removal procedure

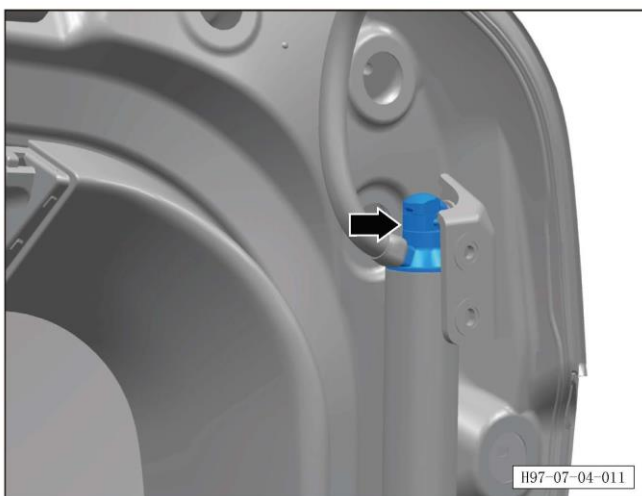
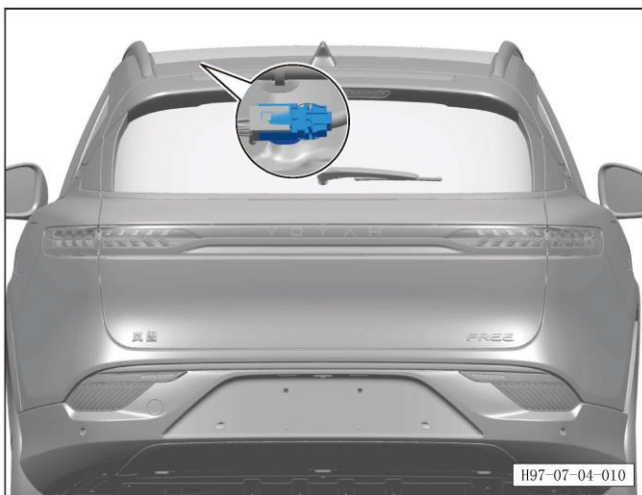
Note:

- The following is the removal and refitting of the left POT strut assembly, which can be referred to for the operations on the right side.

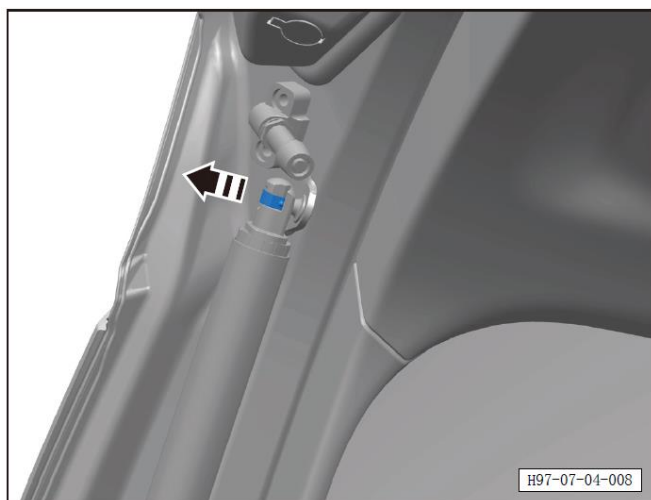
- The tailgate must be supported by objects in order to remove the POT strut assembly, or single POT strut cannot keep the tailgate open.

1. Open the trunk lid;
2. Turn off all electrical appliances and turn off the start switch.
3. Disconnect the battery negative terminal (refer to [3.1.6.1 Maintenance and inspection of the battery](#))
4. Lift the roof inner trim panel.
5. Remove the left POT strut assembly.

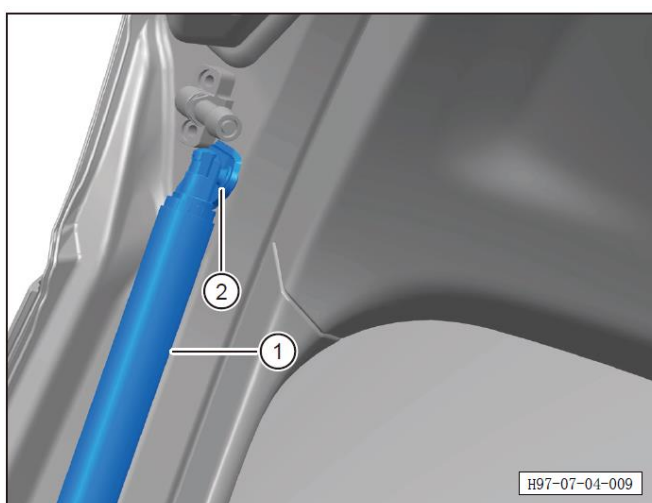
a. Disconnect the connector of the left POT strut assembly and separate it from the tailgate.



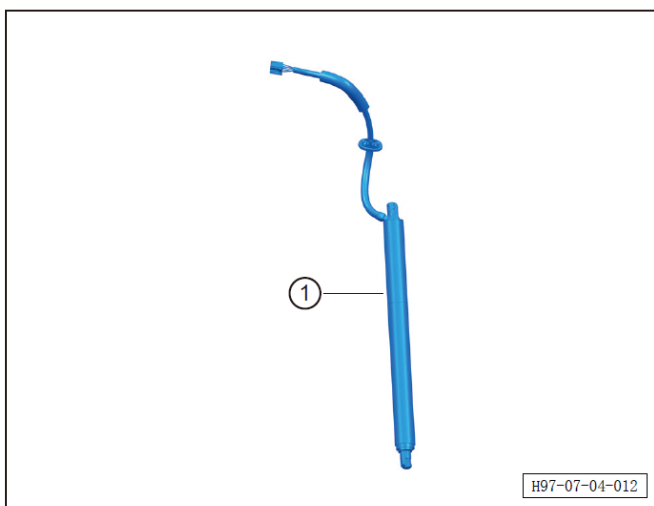
b. Pry up the spring clip (at the body) with a screwdriver and disengage the left POT strut.



c. Pry up the spring clip (at the tailgate) with a screwdriver as indicated by the arrow.



d. Disengage the left POT strut ① from the ball pin ② (at the tailgate).



e. Remove the left POT strut ①.

Refitting procedure

The refitting procedure is performed in reverse order.

#### 7.4.4.2 Removal and refitting of tailgate stopper

Removal procedure

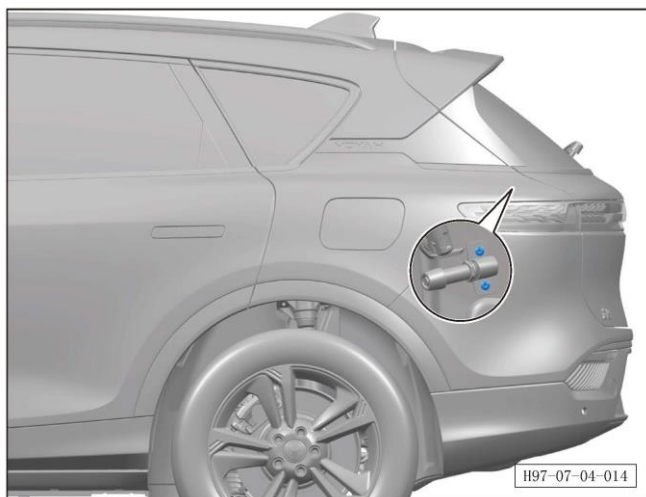
Note:

- The following is the removal and refitting of the left tailgate stopper, which can be referred to for the operations on the right side.

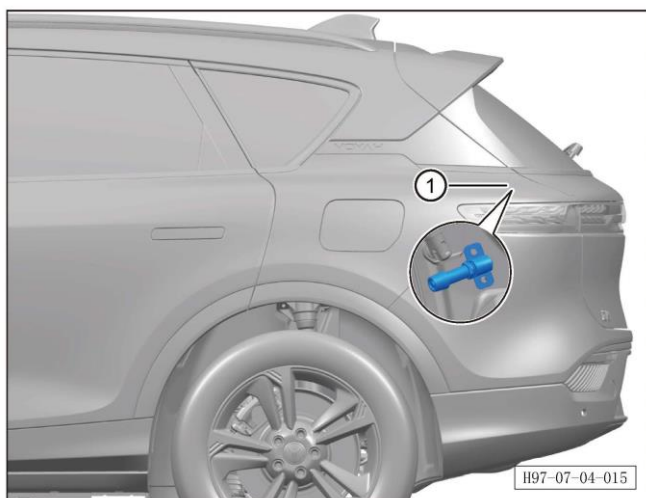
1. Open the trunk lid;
2. Remove the tailgate stopper.

a. Unscrew 2 fixing screws of the tailgate stopper.

Tightening torque of screw:  $8\pm 1\text{Nm}$



b. Remove the tailgate stopper ①.



Refitting procedure

The refitting procedure is performed in reverse order.

#### 7.4.4.3 Removal and refitting of tailgate stopper on the door

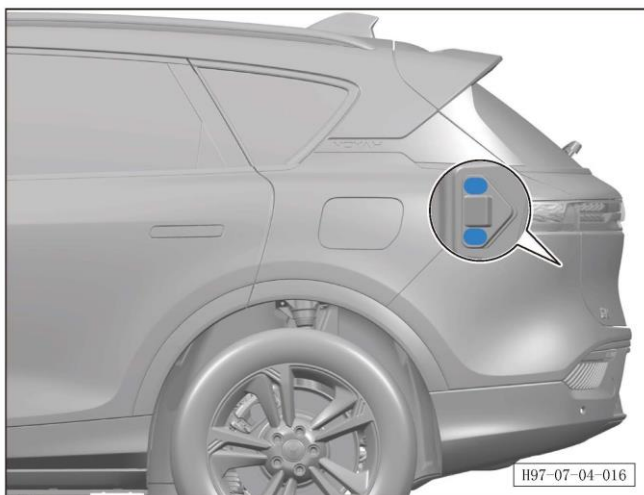
Removal procedure

Note:

- The following is the removal and refitting of the left tailgate stopper on the door, which can be referred to for the operations on the right side.

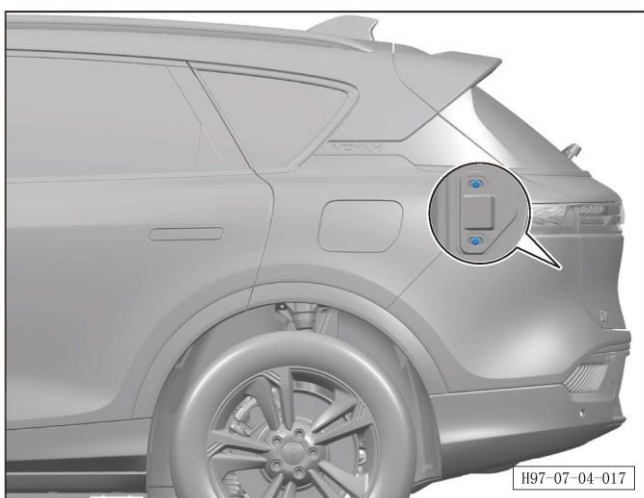
1. Open the trunk lid;
2. Remove the tailgate stopper on the door.

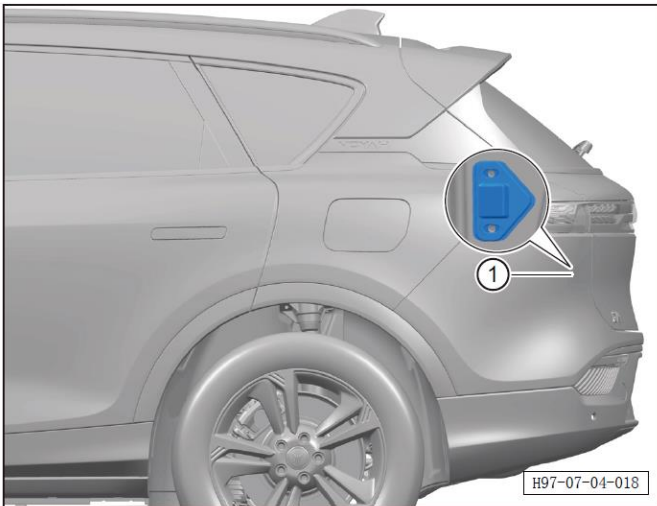
a. Disengage 2 plugs from the tailgate stopper on the door.



b. Unscrew 2 fixing screws of the tailgate stopper on the door.

Tightening torque of screw:  $8\pm 1\text{Nm}$





c. Remove the tailgate stopper ① on the door.

Refitting procedure

The refitting procedure is performed in reverse order.

#### 7.4.4.4 Removal and refitting of tailgate stopper on the body

Removal procedure

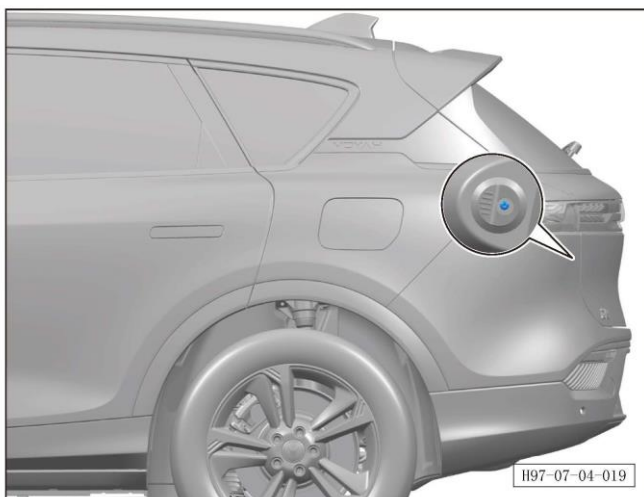
Note:

- The following is the removal and refitting of the left tailgate stopper on the body, which can be referred to for the operations on the right side.

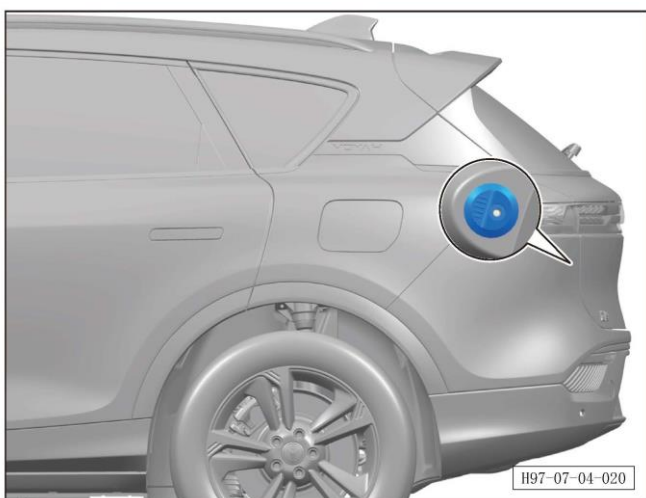
1. Open the trunk lid;
2. Remove the tailgate stopper on the body.

a. Unscrew 1 fixing screw of the tailgate stopper on the door.

Tightening torque of screw:  $8\pm 1\text{Nm}$



b. Remove the tailgate stopper ① on the body.



Refitting procedure

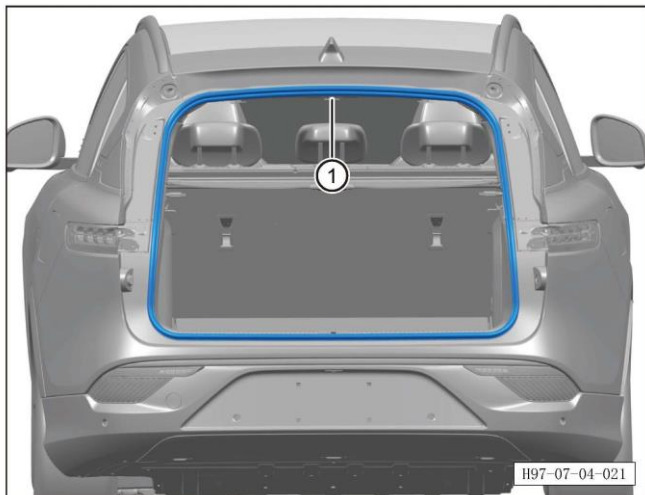
The refitting procedure is performed in reverse order.

#### 7.4.4.5 Removal and refitting of rear tailgate frame sealing strip assembly

Removal procedure

1. Open the trunk lid;
2. Remove the tailgate sealing strip.

a. from the body flange. Remove the tailgate sealing strip ①.



Refitting procedure

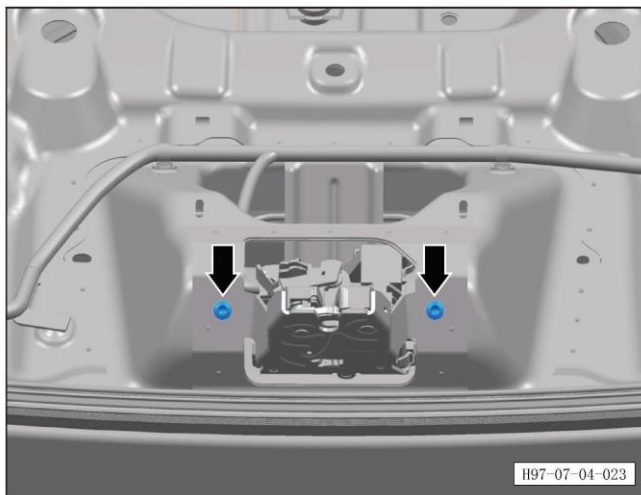
The refitting procedure is performed in reverse order.



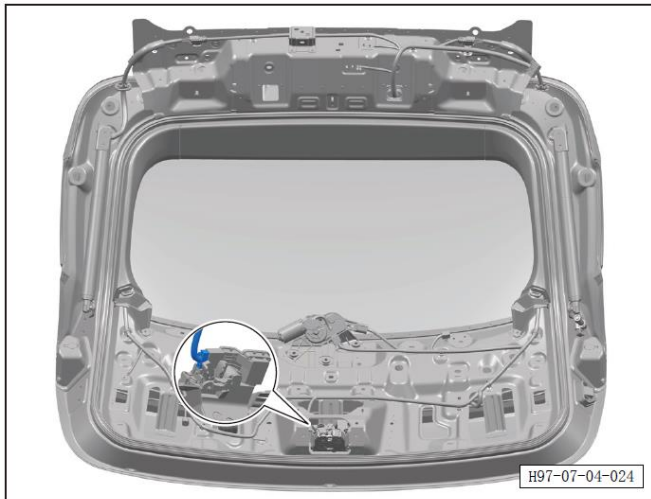
#### 7.4.4.6 Removal and refitting of tailgate lock assembly

Removal procedure

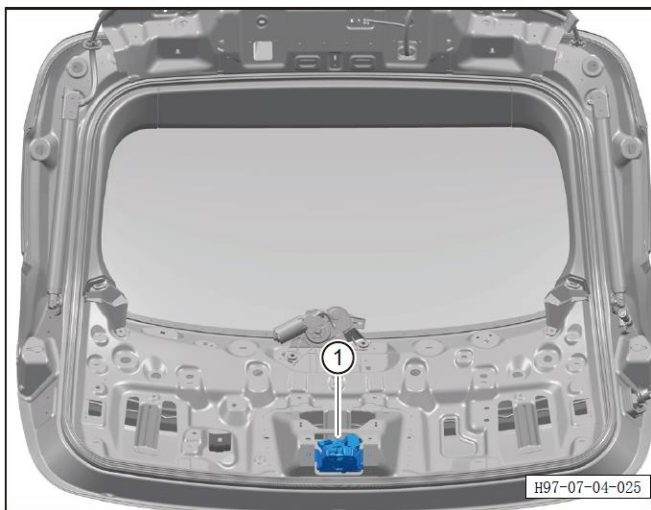
1. Remove the tailgate lower trim panel assembly (refer to [8.4.4.4 Removal and refitting of tailgate lower trim panel assembly](#))
2. Remove the tailgate lock assembly.
  - a. Disengage the tailgate lock sheath.



- b. Unscrew 2 fixing bolts of the tailgate lock assembly. Tightening torque of bolt:  $8\pm 1\text{Nm}$ .



c. Disconnect the POT lock connectors



d. Remove the tailgate lock assembly ①.

Refitting procedure

The refitting procedure is performed in reverse order.

#### 7.4.4.7 Removal and refitting of tailgate buckle assembly

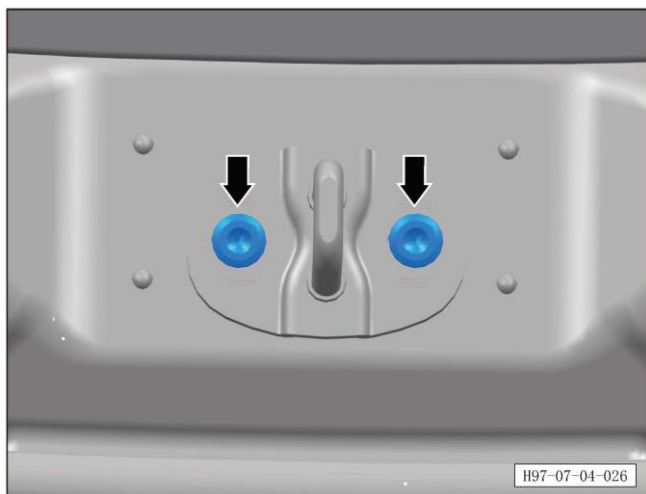
Removal procedure

1. Remove the tailgate door sill protective plate assembly (refer to [8.5.7.5 Removal and refitting of tailgate door sill protective plate assembly](#))

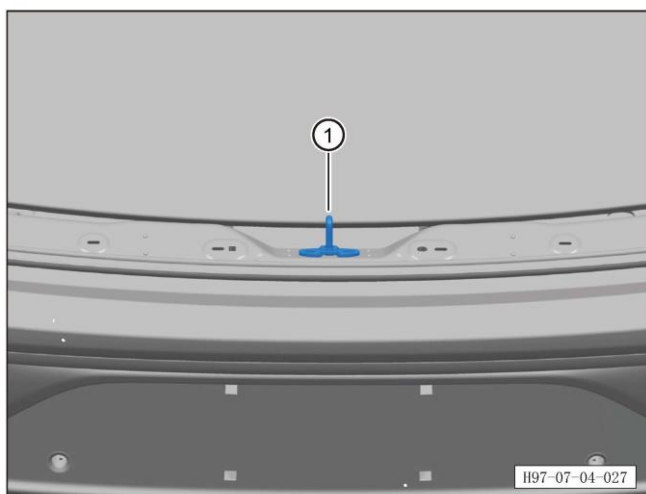
2. Remove the tailgate buckle assembly.

a. Unscrew 2 fixing bolts of the tailgate buckle assembly.

Tightening torque of bolt:  $20\pm 3\text{Nm}$ .



b. Remove the tailgate buckle assembly ①.

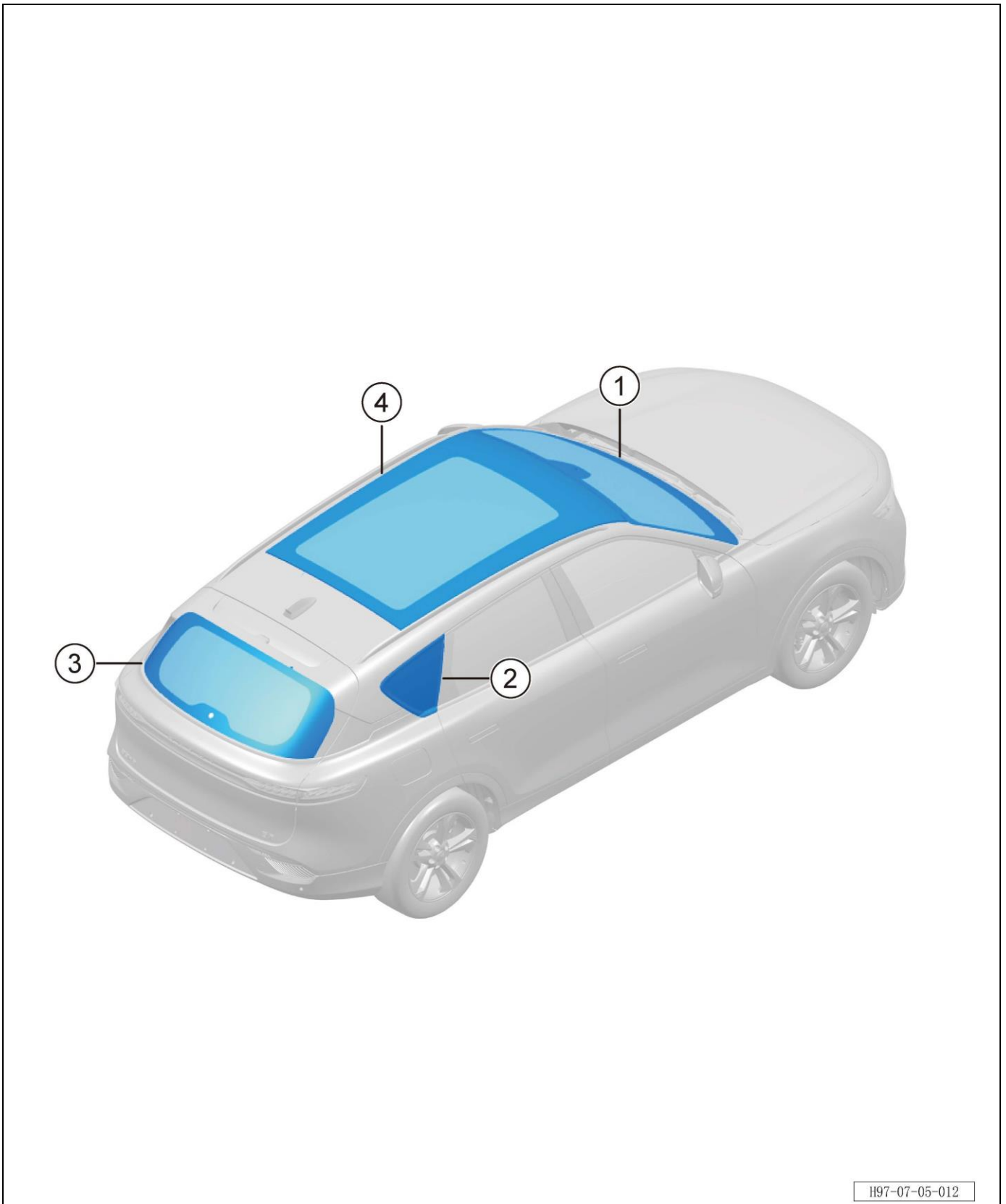


Refitting procedure

The refitting procedure is performed in reverse order.

## 7.5 Window

### 7.5.1 Position diagram of parts



---

S/N	Part name	Loading quantity	Remarks
1	Front windshield assembly	1	
2	Rear corner window assembly	1	
3	Rear windshield assembly	1	
4	Sunroof glass ceiling assembly	1	

## 7.5.2 Front windshield

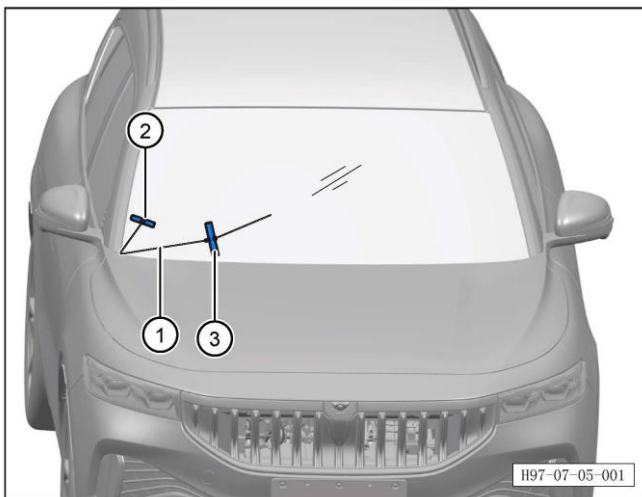
### 7.5.2.1 Removal and refitting of front windshield glass assembly

Note:

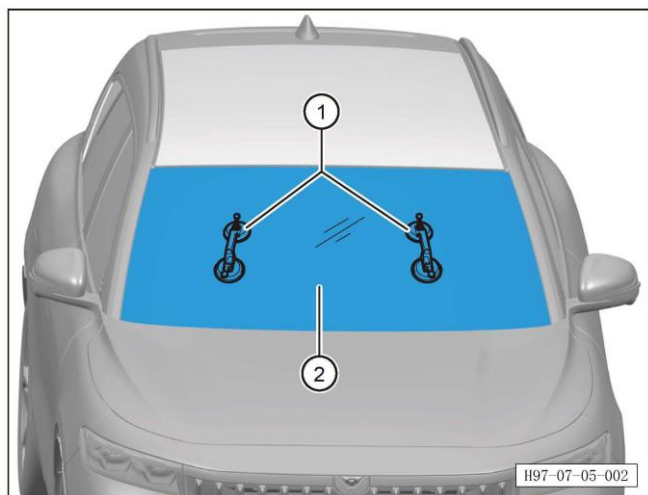
- Avoid scrapping the body when removing the front windshield assembly.

Removal procedure

1. Remove the left and right A-pillar upper protective plate assembly (refer to [8.6.6.14 Removal and refitting of A-pillar upper protective plate assembly](#))
2. Remove the interior rearview mirror assembly (refer to [8.6.8.10 Removal and refitting of interior rearview mirror assembly](#))
3. Remove the engine hood assembly (refer to [7.1.3.1 Removal and refitting of engine hood assembly](#))
4. Remove the wiper cover (refer to [8.6.7.9 Removal and refitting of wiper cover plate](#))
5. Remove the front windshield assembly.



- a. Move an awl across the bonding sealing materials of the front windshield assembly.
- b. Move the cutting wire cross the bonding sealing materials and pull it inside the vehicle.
- c. Fix the cutting wire ① that has been pulled inside the vehicle with the handle ② and ③ to avoid it from being pulled out.
- d. Cut the bonded glass with the assistance of another technician.



e. Refit the glass sucker ① on the front windshield assembly ②.

f. Remove the front windshield assembly ② with care.

#### Refitting procedure

The refitting procedure is performed in reverse order.

#### CAUTION:

- When refitting the glass, the glass cleaning agent shall be used to clean the windshield and the mounting surface of the body.
- Carry out the rain test around 3-4 hours (about 20°C) after the refitting of the front windshield assembly.
- Repair and seal with the sealant if any leakage position is found.

### 7.5.3 Corner window

#### 7.5.3.1 Removal and refitting of rear corner window assembly

Removal procedure

Note:

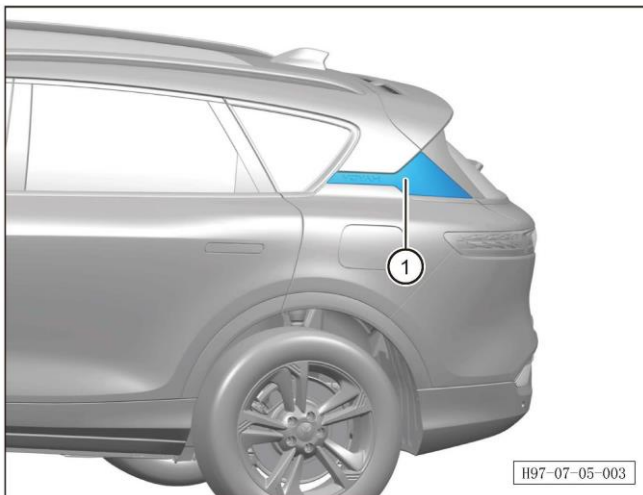
- The following is the removal and refitting of the left rear corner window assembly, which can be referred to for the left side and rear door windows.

- Avoid scrapping the body when removing the rear corner window assembly.

1. Remove the C-pillar upper protective plate assembly (refer to [8.5.5.7 Removal and refitting of C-pillar upper protective plate assembly](#))

2. Remove the left side rear wall D-pillar trim panel retaining plate.

a. Remove the left side rear wall D-pillar trim panel retaining plate ①.



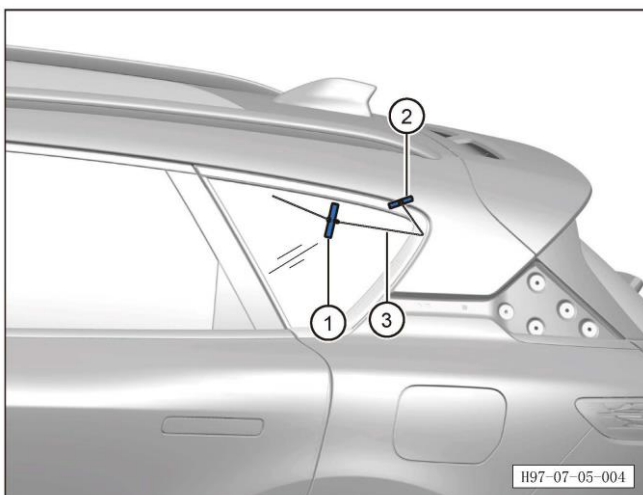
3. Remove the left rear door corner window assembly.

a. Move an awl across the bonding sealing materials of the rear corner window assembly.

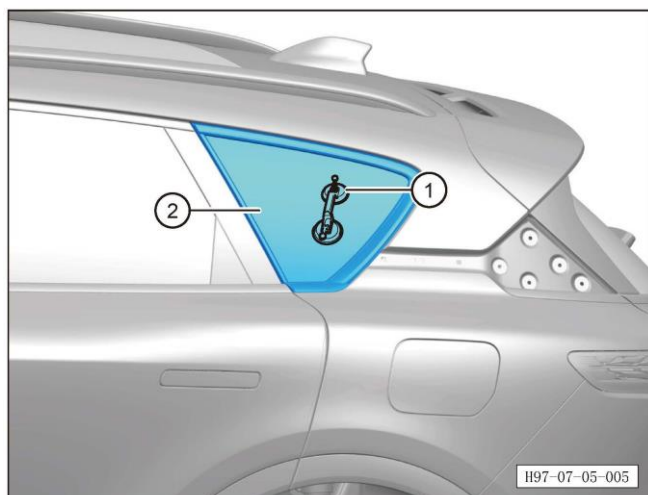
b. Move the cutting wire cross the bonding sealing materials and pull it inside the vehicle.

c. Fix the cutting wire ③ that has been pulled inside the vehicle with the handle ① and ② to avoid it from being pulled out.

d. Cut the bonded glass with the assistance of another technician.







e. Refit the glass sucker ① on the rear corner window assembly ②.

f. Remove the rear corner window assembly ② with care.

#### Refitting procedure

The refitting procedure is performed in reverse order.

#### CAUTION:

- When refitting the glass, the glass cleaning agent shall be used to clean the rear corner window and the mounting surface of the body.
- Carry out the rain test around 3-4 hours (about 20°C) after the refitting of the rear corner window assembly.
- Repair and seal with the sealant if any leakage position is found.

## 7.5.4 Rear windshield

### 7.5.4.1 Removal and refitting of rear windshield window assembly

Removal procedure

Note:

- Avoid scrapping the body when removing the rear windshield assembly.

1. Remove the tailgate lower trim panel assembly (refer to [8.4.4.2 Removal and refitting of tailgate lower trim panel assembly](#))

2. Remove the tailgate upper trim panel assembly (refer to [8.4.4.1 Removal and refitting of tailgate upper trim panel](#))

3. Remove the tailgate side trim panel assembly (refer to [8.4.4.6 Removal and refitting of tailgate side trim panel assembly](#))

4. Remove the high-mounted brake lamp (refer to [9.9.5.1 High-mounted brake lamp](#))

5. Remove the rear deflector assembly (refer to [8.6.6.8 Removal and refitting of rear deflector assembly](#))

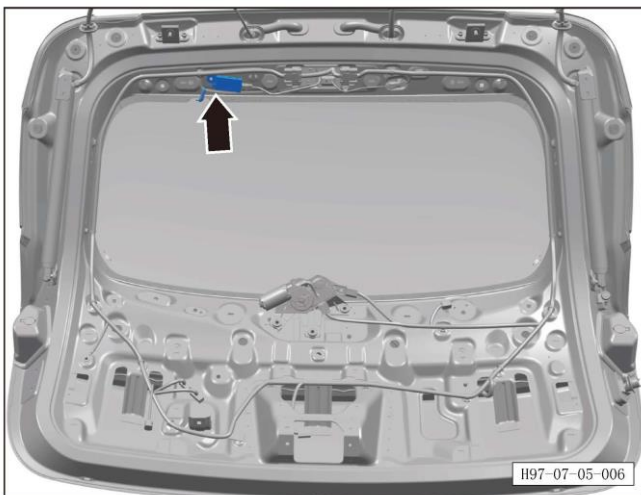
6. Remove the tailgate trim panel (refer to [8.6.6.16 Tailgate deflector trim](#))

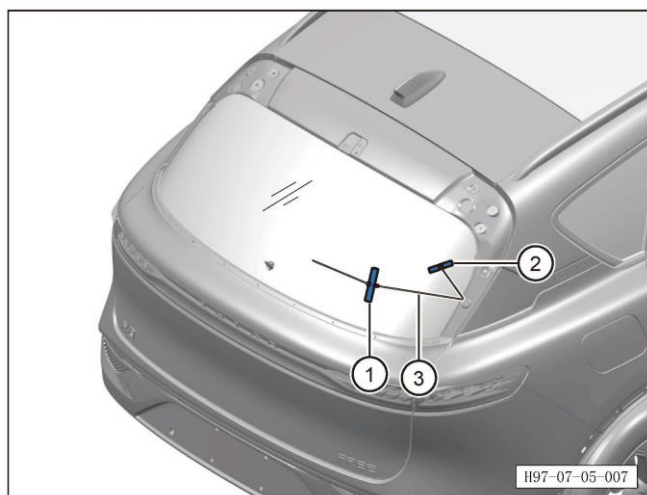
7. Remove the tailgate trim strip (refer to [8.6.2.5 Tailgate trim strip](#))

8. Remove the rear wiper motor and bracket assembly (refer to [8.6.7.15 Removal and refitting of rear wiper motor and bracket assembly](#))

9. Remove the rear windshield assembly.

a. Disconnect the rear windshield assembly antenna from the antenna amplifier connectors.



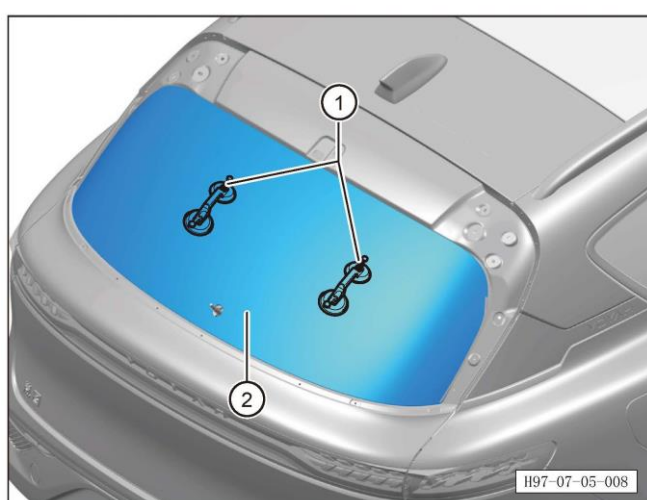


b. Move an awl across the bonding sealing materials of the rear windshield assembly.

c. Move the cutting wire cross the bonding sealing materials and pull it inside the vehicle.

d. Fix the cutting wire ③ that has been pulled inside the vehicle with the handle ① and ② to avoid it from being pulled out.

e. Cut the bonded glass with the assistance of another technician.



e. Refit the glass sucker ① on the rear windshield assembly ②.

g. Remove the rear windshield assembly ② with care.

#### Refitting procedure

The refitting procedure is performed in reverse order.

#### CAUTION:

- When refitting the glass, the glass cleaning agent shall be used to clean the windshield and the mounting surface of the body.
- Carry out the rain test around 3-4 hours (about 20°C) after the refitting of the rear windshield assembly.
- Repair and seal with the sealant if any leakage position is found.

## 7.5.5 Sunroof glass ceiling assembly

### 7.5.5.1 Removal and refitting of sunroof glass ceiling assembly

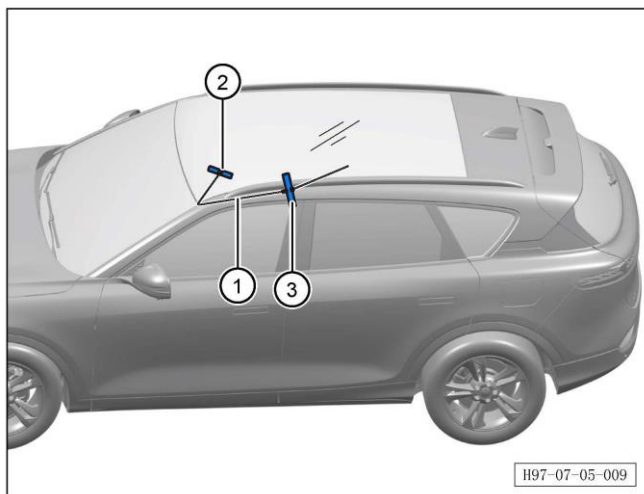
Removal procedure

Note:

- Avoid scrapping the body when removing the sunroof glass ceiling assembly.

1. Remove the roof inner trim panel (refer to [8.5.6.1 Removal and refitting of roof inner trim panel](#))

2. Remove the sunroof glass ceiling assembly.

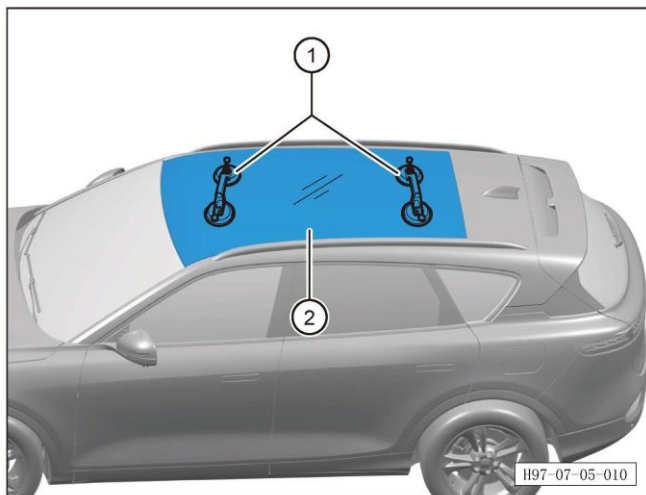


a. Move an awl across the bonding sealing materials of the sunroof glass ceiling assembly.

b. Move the cutting wire across the bonding sealing materials and pull it inside the vehicle.

c. Fix the cutting wire ① that has been pulled inside the vehicle with the handle ② and ③ to avoid it from being pulled out.

d. Cut the bonded sunroof glass ceiling assembly with the assistance of another technician.



e. Refit the glass sucker ① on the sunroof glass ceiling assembly ②.

f. Remove the sunroof glass ceiling assembly ② with care.

#### Refitting procedure

The refitting procedure is performed in reverse order.

#### CAUTION:

- When refitting the glass, the glass cleaning agent shall be used to clean the sunroof ceiling assembly and the mounting surface of the body.

- Carry out the rain test around 3-4 hours (about 20°C) after the refitting of the sunroof glass ceiling assembly.

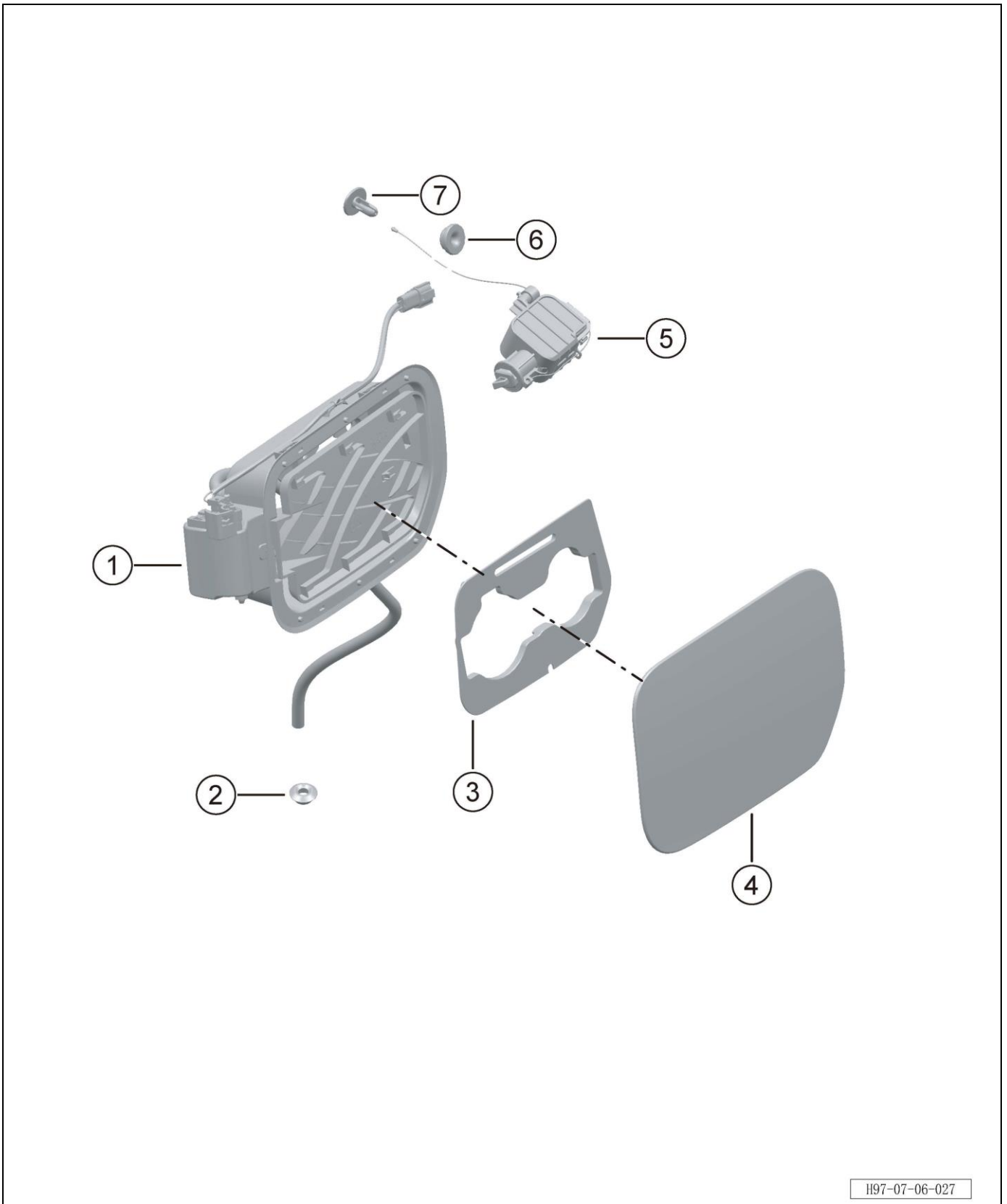
- Repair and seal with the sealant if any leakage position is found.

## 7.6 Charging port

### 7.6.1 Position diagram of parts



7.6.2 Exploded view



H97-07-06-027

S/N	Part name	Loading quantity	Remarks
1	Charging port cover body	1	
2	Drain pipe sheath.	1	
3	Charging port cover baffle	1	
4	Charging port cover plate	1	
5	Charging port cover lock assembly	1	
6	Emergency cable sheath	1	
7	Emergency release handle	1	



### 7.6.3 EV charging port cover

#### 7.6.3.1 Removal and refitting of charging port cover plate

Removal procedure

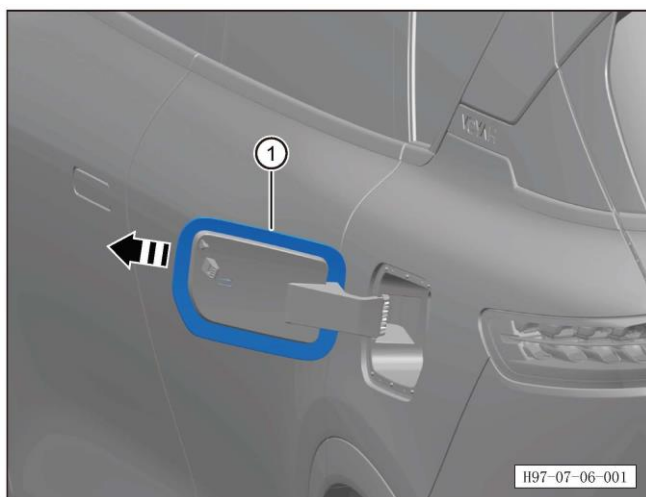
Note:

- The following is the removal and refitting of the EV charging port cover, which can be referred to for the REV charging port cover.

1. Open the charging port.
2. Remove the charging port cover plate.

a. Disengage the charging port cover plate as indicated by the arrow.

b. Remove the charging port cover plate ①.



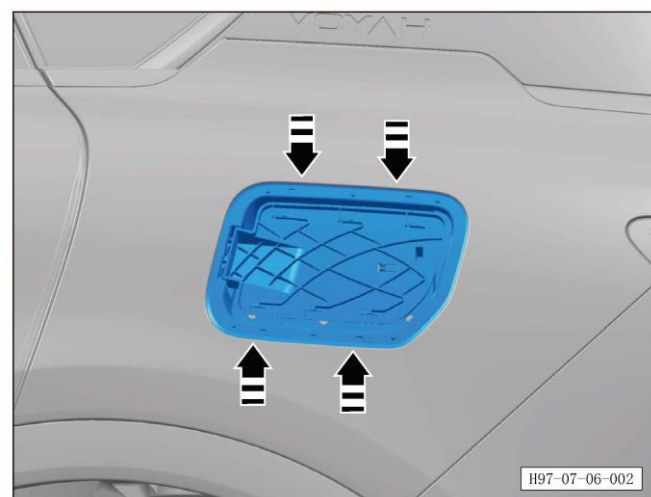
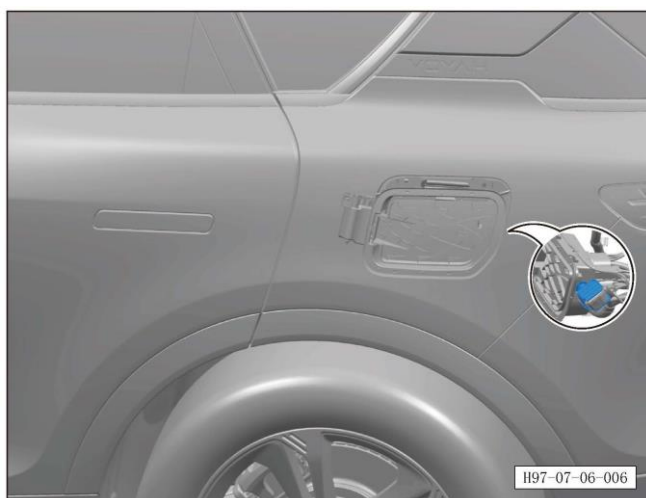
Refitting procedure

The refitting procedure is performed in reverse order.

### 7.6.3.2 Removal and refitting of charging port cover body

Removal procedure

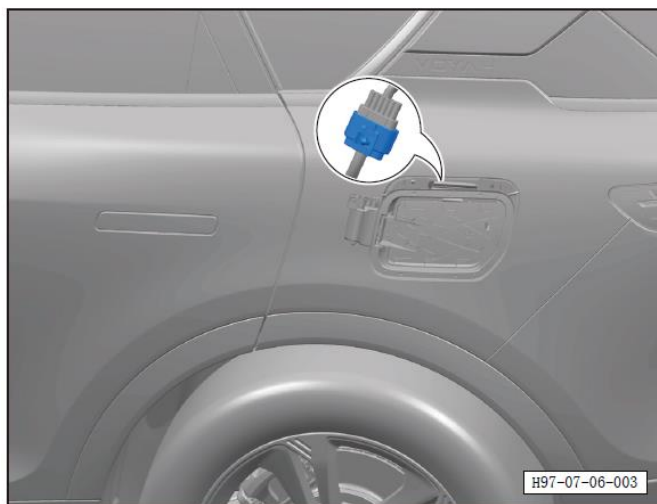
1. Remove the charging port cover (refer to [7.6.3.1 Removal and refitting of charging port cover plate](#))
2. Remove the drain pipe sheath (refer to [7.6.3.6 Removal and refitting of drain pipe sheath](#))
3. Remove the slow charging socket assembly (refer to [5.4.5.1 Removal and refitting of slow charging socket assembly](#))
4. Remove the fast charging socket assembly (refer to [5.4.5.2 Removal and refitting of fast charging socket assembly](#))
5. Remove the charging port cover body.
  - a. Unscrew the charging port cover lock assembly.



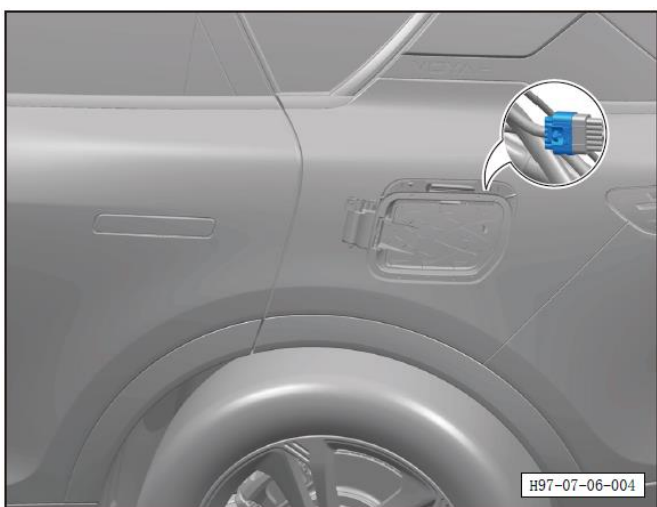
- b. Disengage 4 fixing clips of the charging port cover body as indicated by the arrow.

Note:

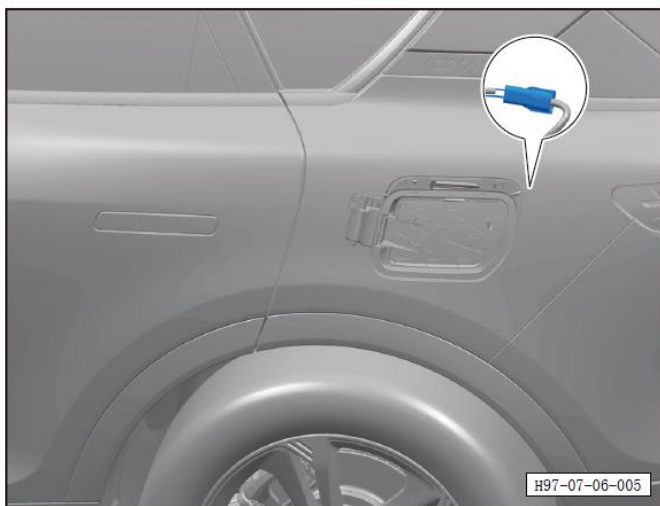
- The removal and refitting shall be performed with the assistance of another technician.



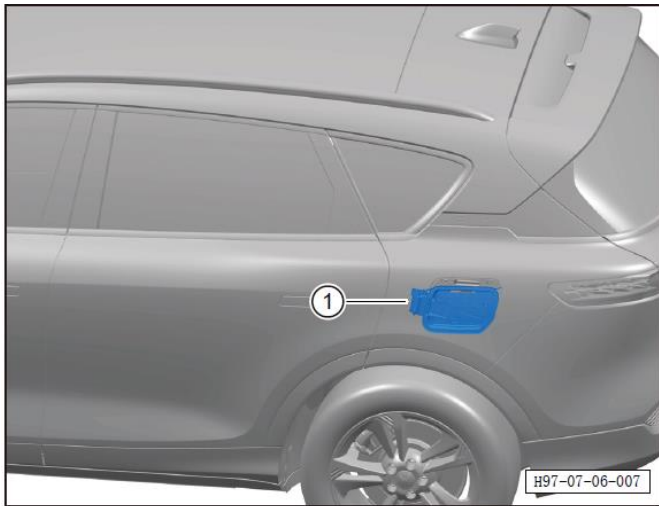
c. Remove part of the bolts and disconnect the connectors of the fast charger and the chassis harness.



d. Disconnect the harness connectors of the slow charger and the chassis harness.



e. Disconnect the connectors of the microswitch and the chassis harness.



f. Remove the charging port cover body ①.

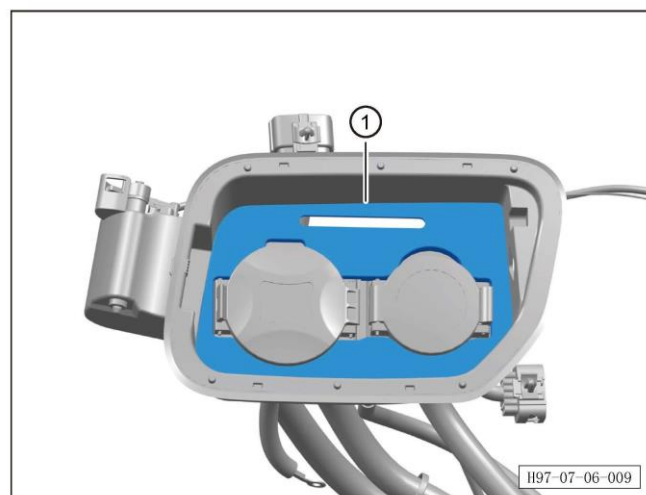
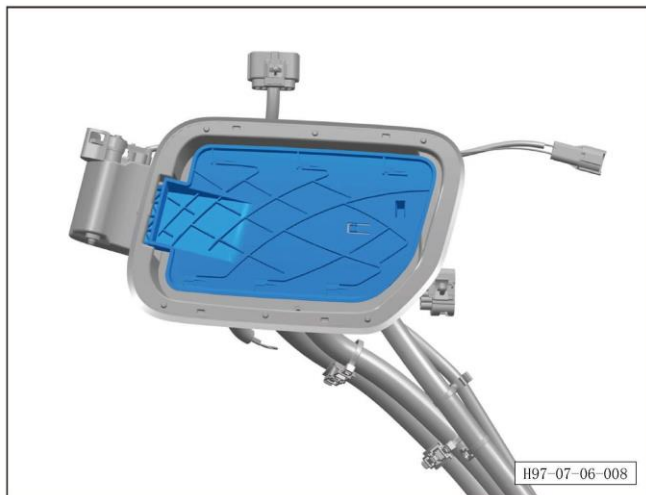
Refitting procedure

The refitting procedure is performed in reverse order.

### 7.6.3.3 Removal and refitting of charging port cover baffle

Removal procedure

1. Remove the charging port cover body (refer to [7.6.3.2 Removal and refitting of charging port cover body](#)).
2. Remove the charging port cover baffle.
  - a. Detach the hinge on the charging port cover body.



- b. Remove the charging port cover baffle ①.

Refitting procedure

The refitting procedure is performed in reverse order.

#### 7.6.3.4 Removal and refitting of charging port cover lock assembly

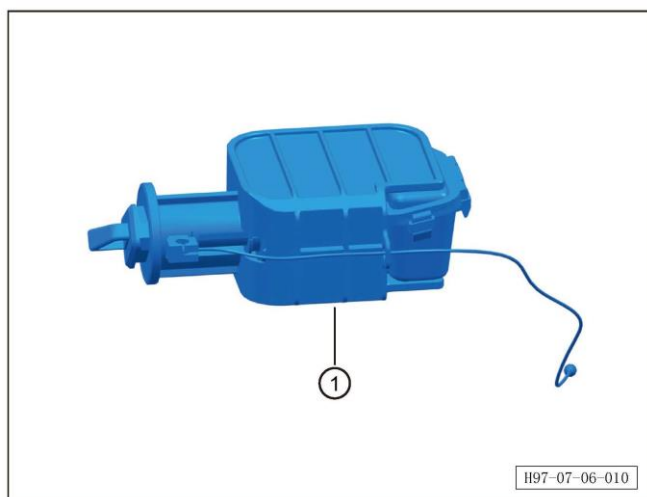
Removal procedure

Note:

- The following is the removal and refitting of the EV charging port cover lock assembly, which is can be referred to for the REV charging port cover lock assembly.

1. Remove the charging port cover body (refer to [7.6.3.2 Removal and refitting of charging port cover body](#)).
2. Remove the subwoofer (refer to [9.1.7.5 Removal and refitting of subwoofer](#)).
3. Remove the emergency release handle (refer to [7.6.3.5 Removal and refitting of emergency release handle](#)).
4. Remove the charging port cover lock assembly.

a. Remove the charging port cover lock assembly ①.



Refitting procedure

The refitting procedure is performed in reverse order.

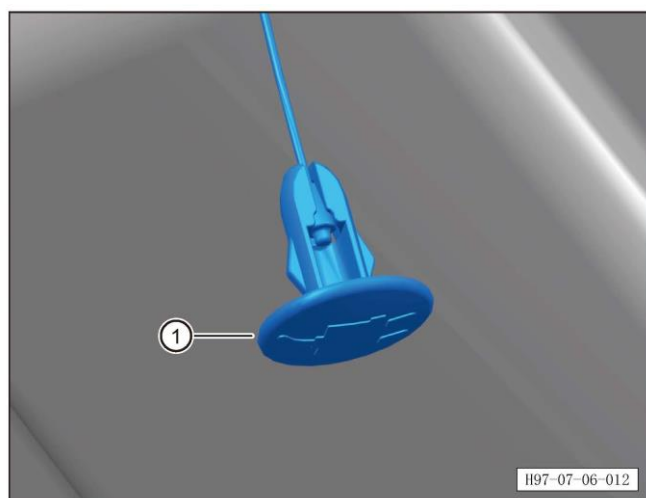
### 7.6.3.5 Removal and refitting of emergency release handle

Removal procedure

Note:

- The following is the removal and refitting of the EV emergency release handle, which can be referred to for the REV emergency release handle.

1. Open the trunk lid;
2. Remove the emergency release handle.
  - a. Pull out the emergency release handle as indicated by the arrow.



- b. Disengage the emergency cable of the charging port cover lock from the emergency release handle.
- c. Remove the emergency release handle ①.

Refitting procedure

The refitting procedure is performed in reverse order.

### 7.6.3.6 Removal and refitting of drain pipe sheath

Removal procedure

Note:

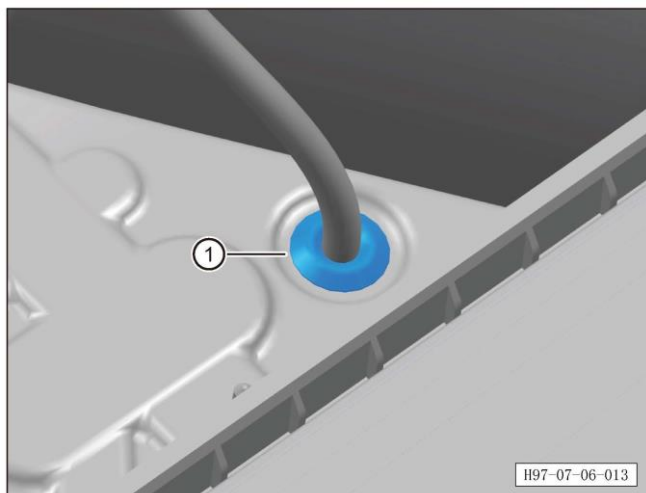
- The following is the removal and refitting of the EV drain pipe sheath, which can be referred to for the REV drain pipe sheath.

1. Remove the left rear side wall panel inner trim panel assembly (refer to [8.5.5.10 Removal and refitting of rear side wall panel inner trim panel](#))

2. Remove the drain pipe sheath.

a. Disengage the charging port drain pipe from the drain sheath.

b. Remove the drain pipe sheath ①.



Refitting procedure

The refitting procedure is performed in reverse order.



### 7.6.3.7 Removal and refitting of emergency cable sheath

Removal procedure

Note:

- The following is the removal and refitting of the EV emergency cable sheath, which can be referred to for the REV emergency cable sheath.

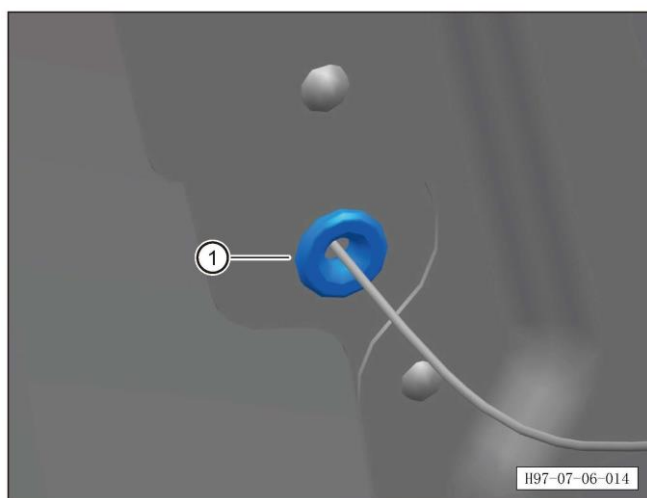
1. Remove the left rear side wall panel inner trim panel assembly (refer to [8.5.5.10 Removal and refitting of rear side wall panel inner trim panel](#))

2. Remove the emergency release handle (refer to [7.6.3.5 Removal and refitting of emergency release handle](#))

3. Remove the emergency cable sheath.

a. Disengage the emergency cable sheath ①.

b. Remove the emergency cable sheath ①.



Refitting procedure

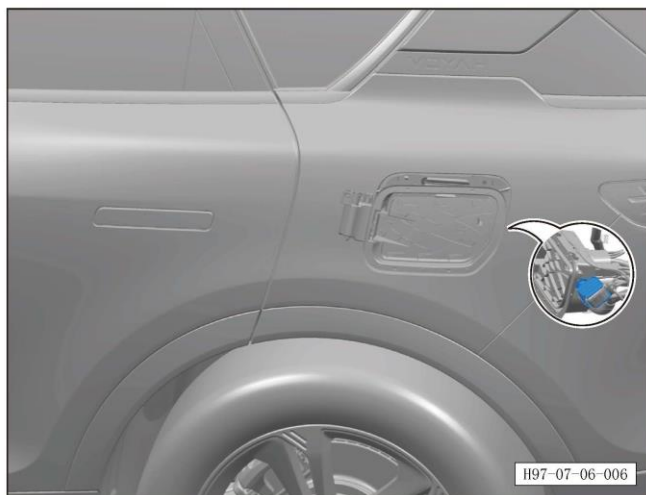
The refitting procedure is performed in reverse order.

## 7.6.4 REV charging port cover

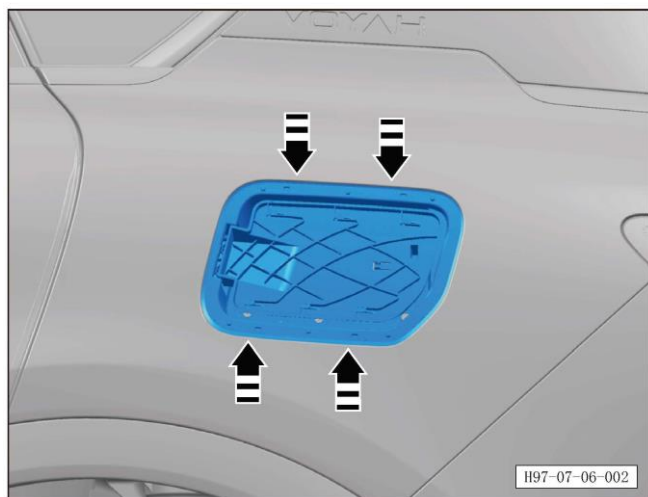
### 7.6.4.1 Removal and refitting of charging port cover body

Removal procedure

1. Remove the charging port cover (refer to [7.6.3.1 Removal and refitting of charging port cover plate](#))
2. Remove the drain pipe sheath (refer to [7.6.3.6 Removal and refitting of drain pipe sheath](#))
3. Remove the slow charging socket assembly (refer to [5.4.5.1 Removal and refitting of slow charging socket assembly](#))
4. Remove the charging port cover body.



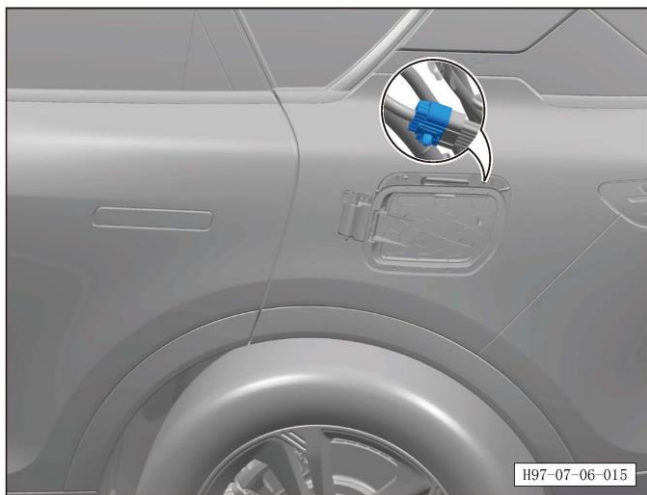
- a. Disengage the fixing clips of the charging port cover lock assembly housing.



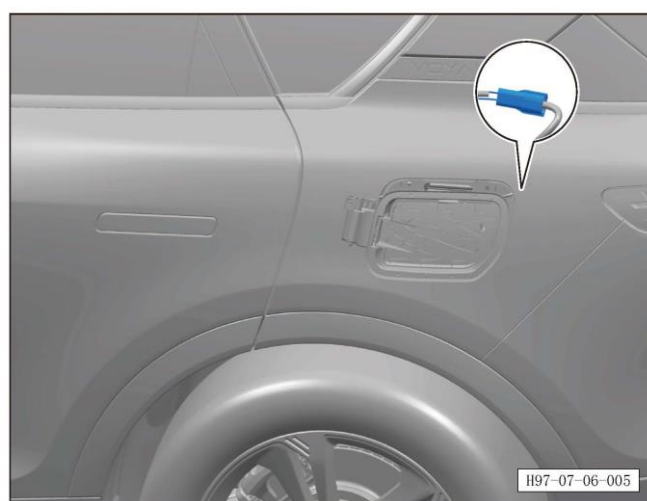
- b. Disengage 4 fixing clips of the charging port cover body as indicated by the arrow.

Note:

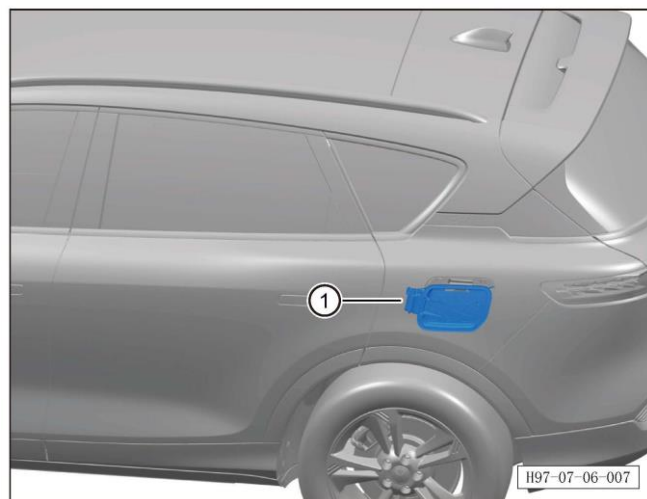
- The removal and refitting shall be performed with the assistance of another technician.



c. Remove part of the bolts and disconnect the connectors of the slow charger and the chassis harness.



d. Disconnect the connectors of the microswitch and the chassis harness.



e. Remove the charging port cover body ①.

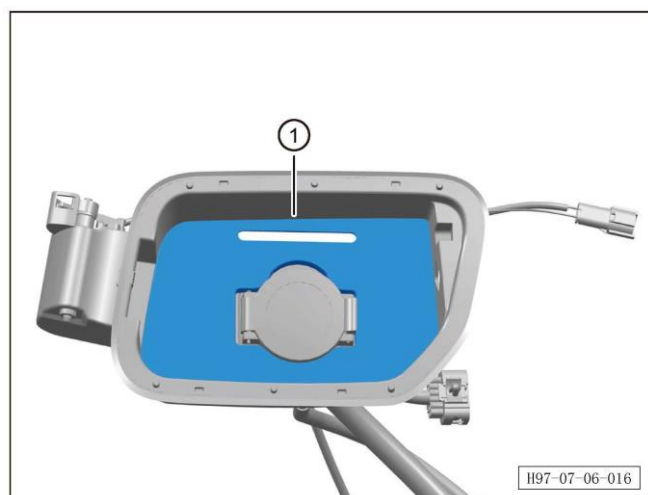
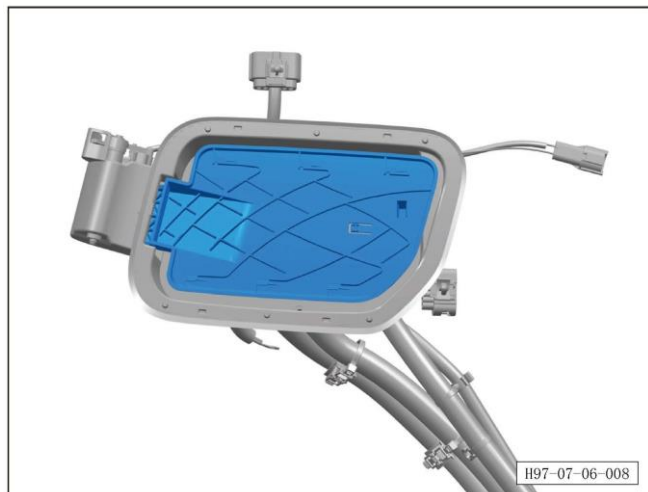
Refitting procedure

The refitting procedure is performed in reverse order.

### 7.6.4.2 Removal and refitting of charging port cover baffle

Removal procedure

1. Remove the charging port cover body (refer to [7.6.4.1 Removal and refitting of charging port cover body](#))
2. Remove the charging port cover baffle.
  - a. Detach the hinge on the charging port cover body.



- b. Remove the charging port cover baffle ①.

Refitting procedure

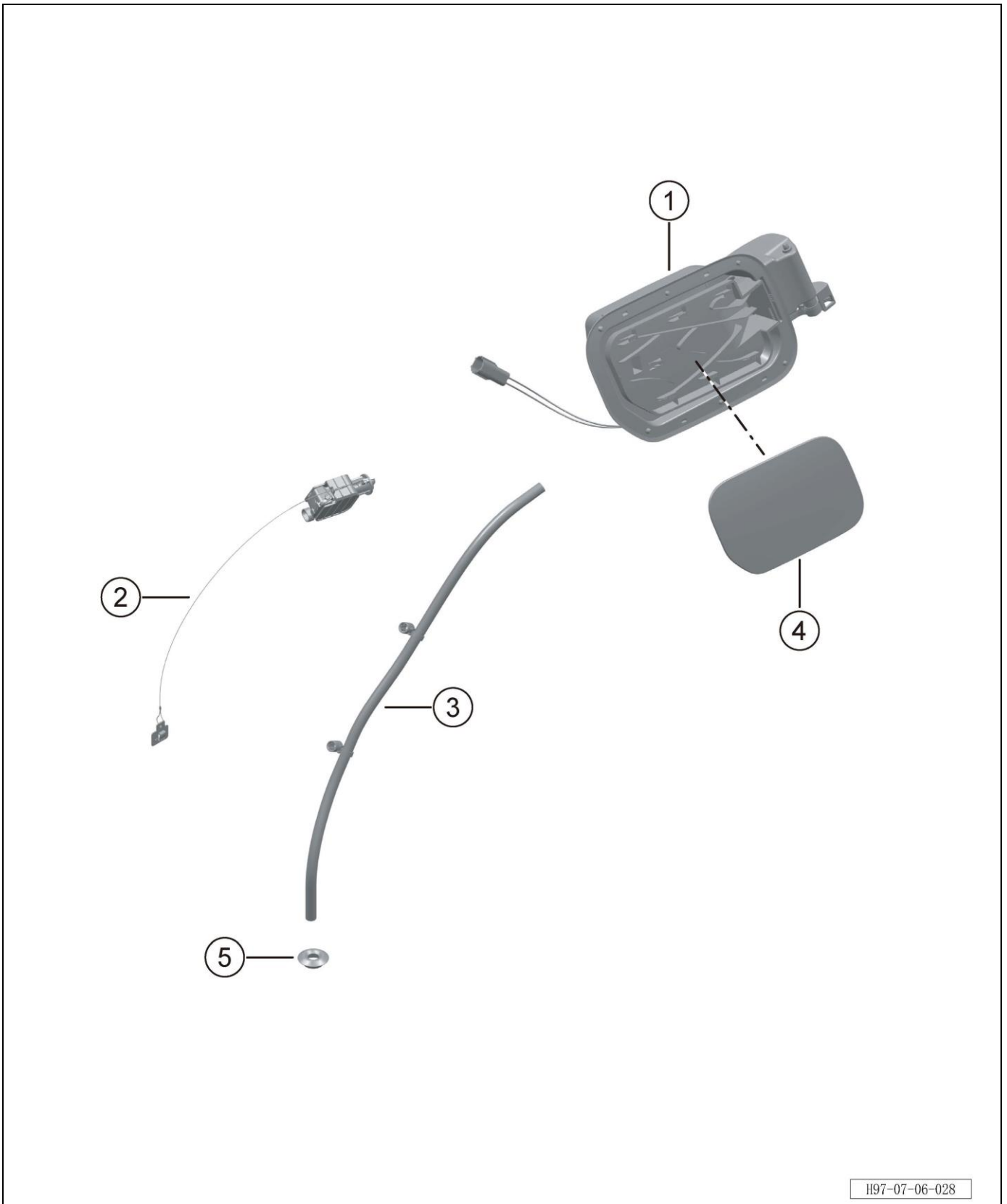
The refitting procedure is performed in reverse order.

## 7.7 Oil filler

### 7.7.1 Position diagram of parts



**7.7.2 Exploded view**



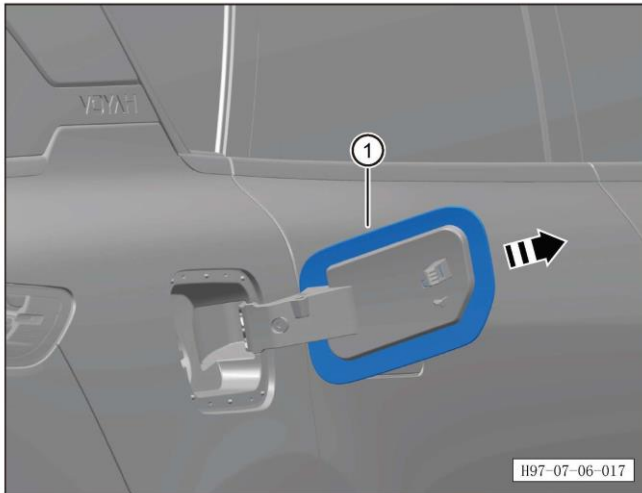
S/N	Part name	Loading quantity	Remarks
1	Oil filler container assembly	1	
2	Oil filler cap lock assembly	1	
3	Filler cap drain pipe assembly	1	
4	Filler cap outer panel	1	
5	Drain pipe sheath.	1	

### 7.7.3 Filler cap

#### 7.7.3.1 Removal and refitting of filler cap outer panel

Removal procedure

1. Open the oil filler.
2. Remove the filler cap outer panel.
  - a. Disengage the filler cap outer panel as indicated by the arrow.
  - b. Remove the filler cap outer panel ①.



Refitting procedure

The refitting procedure is performed in reverse order.



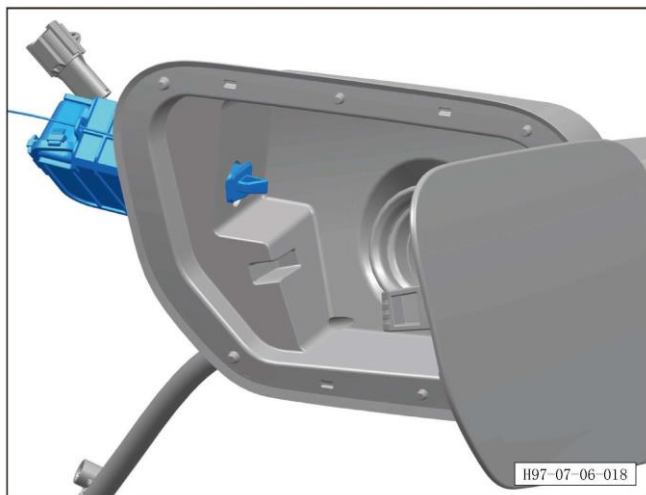
### 7.7.3.2 Removal and refitting of oil filler container assembly

Removal procedure

1. Remove the filler cap outer panel (refer to [7.7.3.1 Removal and refitting of filler cap outer panel](#))

2. Remove the oil filler container assembly.

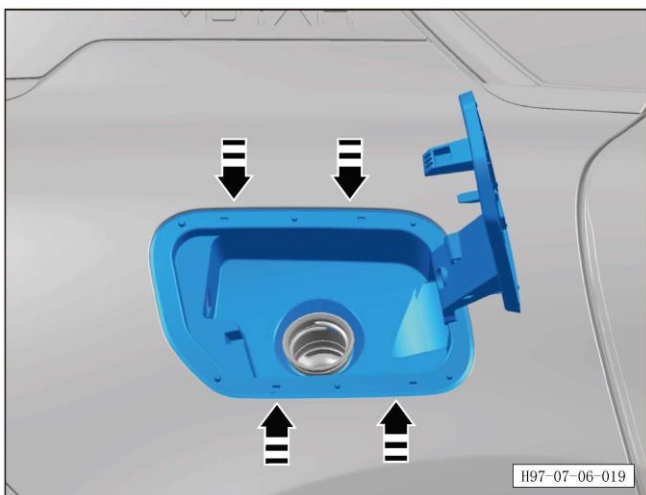
a. Unscrew the filler cap lock assembly

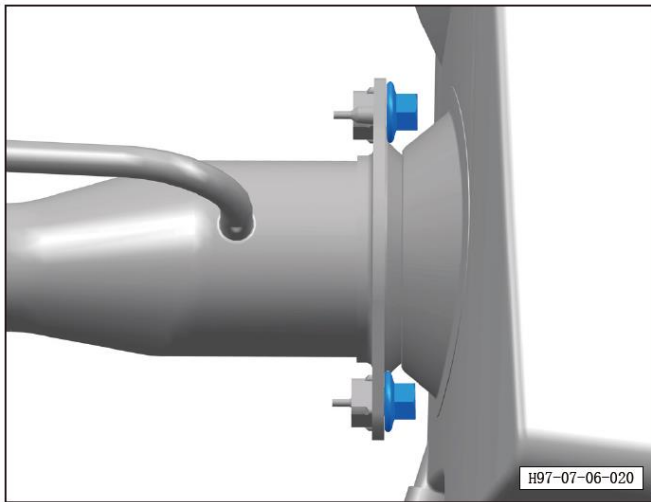


b. Disengage 4 fixing clips of the oil filler container assembly as indicated by the arrow.

Note:

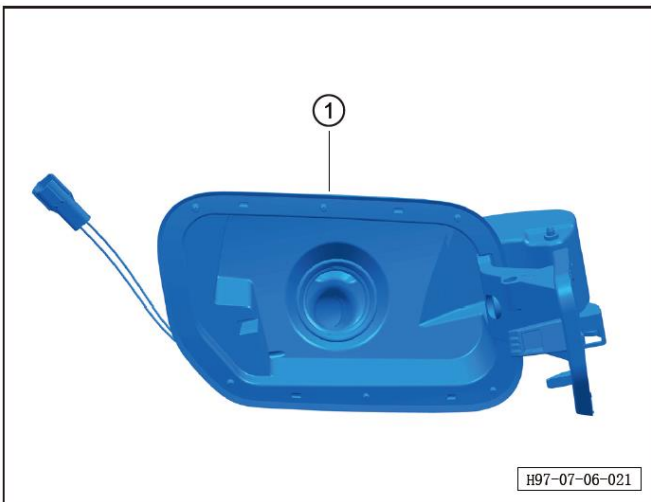
The removal and refitting shall be performed with the assistance of another technician.





c. Remove part of the bolts and unscrew 2 fixing bolts of the fuel filler pipe.

Tightening torque of bolt:  $20\pm 2\text{Nm}$ .



d. Remove the oil filler container assembly ①.

Refitting procedure

The refitting procedure is performed in reverse order.

### 7.7.3.3 Removal and refitting of filler cap lock assembly

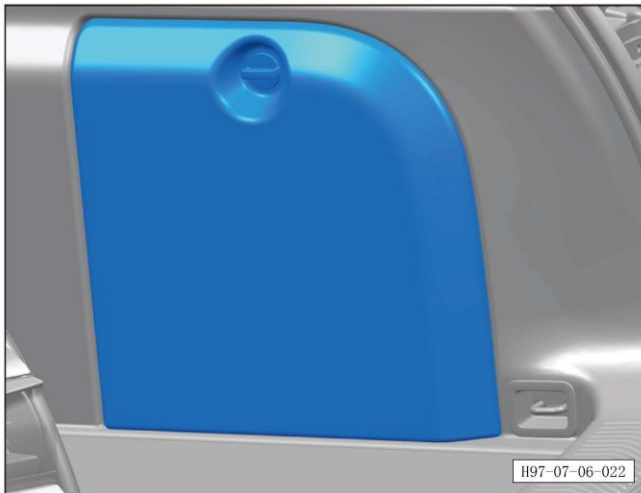
Removal procedure

1. Remove the oil filler container assembly (refer to [7.7.3.2 Removal and refitting of oil filler container assembly](#))

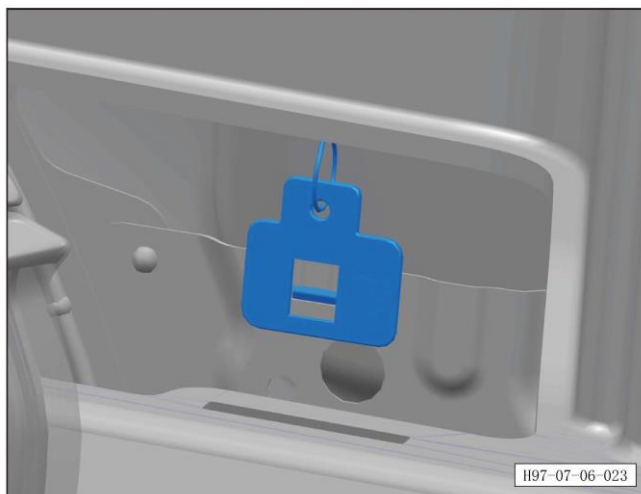
2. Remove the charging port cover lock assembly.

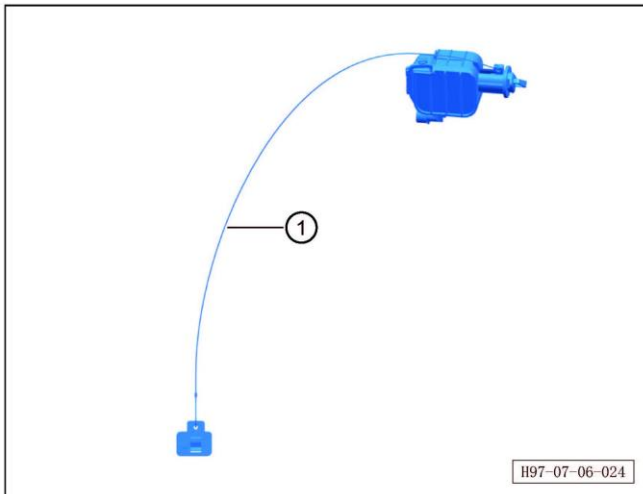
a. Open the tailgate.

b. Open the right rear side wall inner trim panel assembly.



c. Open the release handle of the charging port cover lock.





d. Remove the charging port cover lock assembly ①.

Refitting procedure

The refitting procedure is performed in reverse order.

### 7.7.3.4 Removal and refitting of drain pipe sheath

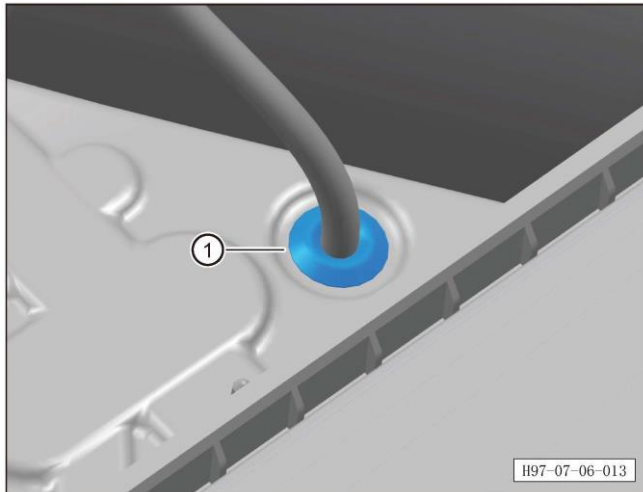
Removal procedure

1. Remove the right rear side wall inner trim panel assembly (refer to [8.5.5.10 Removal and refitting of rear side wall inner trim panel assembly](#))

2. Remove the drain pipe sheath.

a. Disengage the charging port drain pipe from the drain sheath.

b. Remove the drain pipe sheath ①.



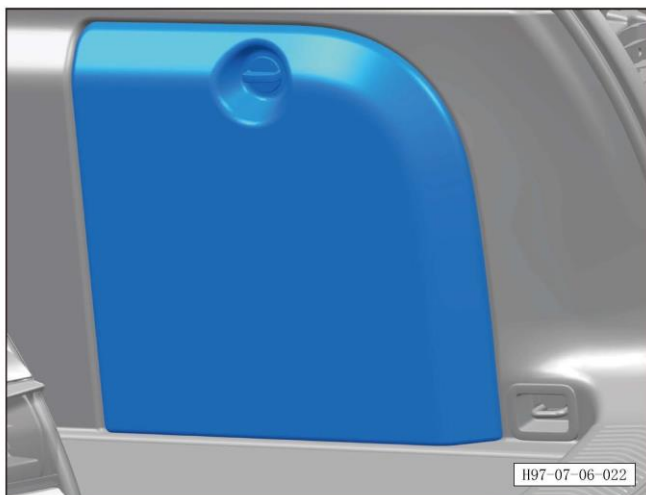
Refitting procedure

The refitting procedure is performed in reverse order.

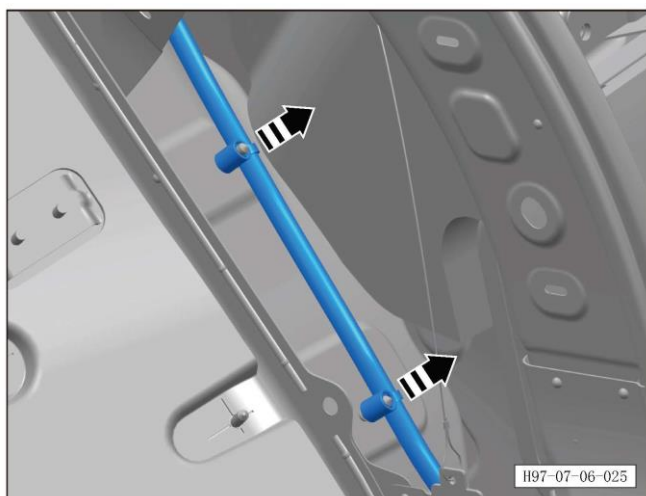
### 7.7.3.5 Removal and refitting of filler cap drain pipe assembly

Removal procedure

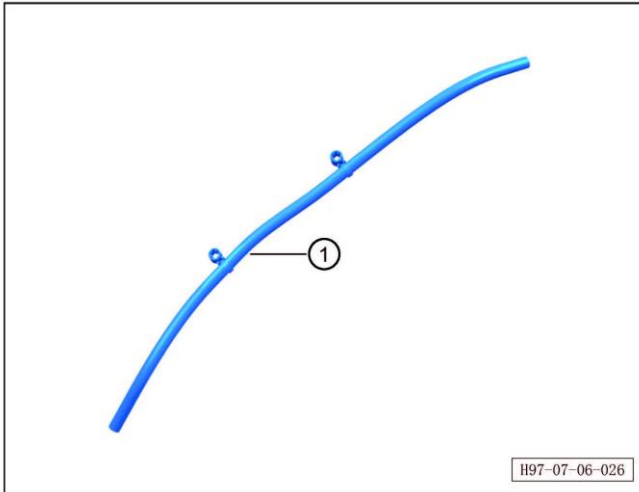
1. Remove the oil filler container assembly (refer to [7.7.3.2 Removal and refitting of oil filler container assembly](#))
2. Remove the drain pipe sheath (refer to [7.7.3.4 Removal and refitting of drain pipe sheath](#))
3. Remove the filler cap drain pipe assembly



- a. Open the tailgate.
- b. Open the right rear side wall inner trim panel assembly.



- c. Disconnect 2 fixing clips of the drain pipe as indicated by the arrow.



d. Remove the filler cap drain pipe assembly ①.

Refitting procedure

The refitting procedure is performed in reverse order.