

## General Contents

8.1 Seats .....	8-9
8.1.1 Precautions .....	8-9
8.1.2 Exploded view of structure .....	8-10
8.1.4 Removal and refitting of front seat .....	8-12
8.1.4.1 Removal and refitting of front seat assembly .....	8-12
8.1.4.2 Removal and refitting of front seat head restraint assembly .....	8-14
8.1.4.3 Removal and refitting of front seat head restraint guide part assembly .....	8-15
8.1.4.4 Removal and refitting of front seat backrest foam assembly .....	8-16
8.1.4.5 Removal and refitting of front seat cushion foam assembly .....	8-17
8.1.4.6 Removal and refitting of front seat cushion cover assembly .....	8-18
8.1.4.7 Removal and refitting of front seat backrest cover assembly .....	8-19
8.1.4.8 Removal and refitting of front power seat interior/outer trim panel .....	8-20
8.1.4.9 Removal and refitting of seat adjuster .....	8-23
8.1.4.10 Removal and refitting of lumbar support/massage control module .....	8-24
8.1.3.11 Removal and refitting of driver seat adjuster .....	8-25
8.1.3.12 Removal and refitting of seat backrest panel .....	8-27
8.1.5 Exploded view of structure .....	8-28
8.1.6 Removal and refitting of rear seats .....	8-30
8.1.6.1 Removal and refitting of rear seat cushion assembly .....	8-30
8.1.6.2 Removal and refitting of rear seat head restraint assembly .....	8-31
8.1.4.3 Removal and refitting of rear seat head restraint guide part assembly .....	8-32
8.1.6.4 Removal and refitting of rear left seat backrest assembly .....	8-34
8.1.6.5 Removal and refitting of rear right seat backrest assembly .....	8-35
8.1.6.6 Removal and refitting of rear seat armrest assembly .....	8-37
8.1.6.7 Removal and refitting of rear seat backrest lock assembly .....	8-39
8.1.6.8 Removal and refitting of middle bracket cover plate .....	8-40
8.1.6.9 Removal and refitting of middle bracket of rear seat backrest assembly .....	8-42
8.1.6.10 Removal and refitting of lock pin of rear seat backrest assembly .....	8-43
8.2 Instrument panel .....	8-45
8.2.1 Precautions .....	8-45
8.2.2 Position diagram of parts .....	8-46
8.2.3 Exploded view of structure .....	8-47
8.2.4 Removal and refitting of instrument panel .....	8-49
8.2.4.1 Removal and refitting of rear trim strip assembly .....	8-49

---

8.2.4.2 Removal and refitting of instrument panel trim strip .....	8-49
8.2.4.3 Removal and refitting of right trim strip assembly.....	8-50
8.2.4.4 Removal and refitting of left trim strip assembly.....	8-51
8.2.4.5 Removal and refitting of right front trim strip.....	8-52
8.2.4.6 Removal and refitting of left front trim strip assembly .....	8-53
8.2.4.7 Removal and refitting of camera mount.....	8-54
8.2.4.8 Removal and refitting of horn cover assembly .....	8-54
8.2.4.9 Removal and refitting of screen upper cover plate body.....	8-55
8.2.4.10 Removal and refitting of side air vent assembly.....	8-56
8.2.4.11 Removal and refitting of side air vent panel .....	8-57
8.2.4.12 Removal and refitting of side air vent .....	8-58
8.2.4.13 Removal and refitting of curtain panel .....	8-59
8.2.4.14 Removal and refitting of instrument panel end cover assembly.....	8-60
8.2.4.15 Removal and refitting of steering column upper shield assembly.....	8-61
8.2.4.16 Removal and refitting of steering column lower shield assembly.....	8-62
8.2.4.17 Removal and refitting of tweeter cover assembly.....	8-63
8.2.4.18 Removal and refitting of left trim panel assembly.....	8-64
8.2.4.19 Removal and refitting of right trim panel assembly.....	8-65
8.2.4.20 Removal and refitting of left lower protective plate.....	8-67
8.2.4.21 Removal and refitting of middle protective plate assembly .....	8-68
8.2.4.22 Removal and refitting of screen upper cover plate frame assembly .....	8-69
8.2.4.23 Removal and refitting of screen upper cover plate frame trim .....	8-71
8.2.4.24 Removal and refitting of screen upper cover plate frame trim assembly .....	8-72
8.2.4.25 Removal and refitting of screen upper cover plate trim.....	8-73
8.2.4.26 Removal and refitting of central trim panel .....	8-74
8.2.4.27 Removal and refitting of display lifting mechanism body.....	8-75
8.2.4.28 Removal and refitting of display lifting mechanism .....	8-77
8.2.4.29 Removal and refitting of display lifting controller .....	8-78
8.2.4.30 Removal and refitting of front defroster cover plate assembly .....	8-79
8.2.4.31 Removal and refitting of instrument panel left lower bottom plate assembly.....	8-81
8.2.4.32 Removal and refitting of instrument panel right lower bottom plate assembly.....	8-83
8.2.4.33 Removal and refitting of glove box right trim .....	8-85
8.2.4.34 Removal and refitting of glove box assembly .....	8-86
8.2.4.35 Removal and refitting of central air vent assembly.....	8-87
8.2.4.36 Removal and refitting of CCB connecting bracket.....	8-88
8.2.4.37 Removal and refitting of instrument panel assembly.....	8-90

---

8.2.4.38 Removal and refitting of defroster outer duct assembly .....	8-94
8.2.4.39 Removal and refitting of defroster inner duct assembly .....	8-96
8.2.4.40 Removal and refitting of side flexible air duct assembly.....	8-98
8.2.4.41 Removal and refitting of instrument panel frame assembly .....	8-100
8.2.4.42 Removal and refitting of main air duct assembly.....	8-105
8.2.4.43 Removal and refitting of CCB .....	8-107
8.2.4.44 Removal and refitting of side foot blowing duct assembly.....	8-110
8.3 Console .....	8-112
8.3.1 Precautions .....	8-112
8.3.2 Position diagram of parts .....	8-113
8.3.3 Exploded view of structure.....	8-114
8.3.4 Removal and refitting of console.....	8-116
8.3.4.1 Removal and refitting of armrest box lock cover plate .....	8-116
8.3.4.2 Removal and refitting of upper cover panel assembly .....	8-117
8.3.4.3 Removal and refitting of front covering assembly.....	8-118
8.3.4.4 Removal and refitting of shift panel assembly .....	8-119
8.3.4.5 Removal and refitting of armrest box rear trim strip assembly .....	8-120
8.3.4.6 Removal and refitting of armrest box rear cover plate assembly .....	8-120
8.3.4.7 Removal and refitting of rear air vent trim strip.....	8-122
8.3.4.8 Removal and refitting of rear air vent assembly .....	8-123
8.3.4.9 Removal and refitting of rear USB bracket .....	8-124
8.3.4.10 Removal and refitting of rear cover plate body.....	8-125
8.3.4.11 Removal and refitting of armrest box assembly .....	8-126
8.3.4.12 Removal and refitting of armrest box trim strip.....	8-128
8.3.4.13 Removal and refitting of central armrest box pad.....	8-129
8.3.4.14 Removal and refitting of USB cover plate.....	8-130
8.3.4.15 Removal and refitting of roller blind cup holder assembly.....	8-131
8.3.4.16 Removal and refitting of front extension plate assembly.....	8-132
8.3.4.17 Removal and refitting of console side plate.....	8-133
8.3.4.18 Removal and refitting of side covering assembly .....	8-134
8.3.4.19 Removal and refitting of fragrance plug.....	8-135
8.3.4.20 Removal and refitting of axle hole assembly .....	8-136
8.3.4.21 Removal and refitting of console frame .....	8-138
8.3.4.22 Removal and refitting of console assembly .....	8-141
8.3.4.23 Removal and refitting of rear section of rear foot blowing duct.....	8-144
8.3.4.24 Removal and refitting of middle section assembly of rear foot blowing duct .....	8-145

---

8.3.4.25 Removal and refitting of front section assembly of rear foot blowing duct.....	8-146
8.3.4.26 Removal and refitting of rear section of rear face blowing duct .....	8-147
8.3.4.27 Removal and refitting of front section assembly of rear face blowing duct.....	8-148
8.3.4.28 Removal and refitting of splitter assembly of rear foot blowing duct.....	8-149
8.4 Door trim panel system .....	8-150
8.4.1 Exploded view of structure.....	8-150
8.4.2 Front door trim panel assembly .....	8-152
8.4.2.1 Removal and refitting of front door trim panel assembly.....	8-152
8.4.2.2 Removal and refitting of front door side defroster assembly .....	8-155
8.4.2.3 Removal and refitting of front inner release handle assembly .....	8-157
8.4.2.4 Removal and refitting of front door frame upper trim assembly .....	8-159
8.4.3 Rear door trim panel assembly .....	8-160
8.4.3.1 Removal and refitting of rear door trim panel assembly.....	8-160
8.4.3.2 Removal and refitting of front inner release handle assembly .....	8-162
8.4.3.3 Removal and refitting of rear door frame upper trim assembly .....	8-164
8.4.4 Tailgate trim panel assembly .....	8-165
8.4.4.1 Removal and refitting of tailgate upper trim panel assembly.....	8-165
8.4.4.2 Removal and refitting of tailgate warning triangle cover body.....	8-166
8.4.4.3 Removal and refitting of tailgate emergency handle cover .....	8-167
8.4.4.4 Removal and refitting of tailgate lower trim panel assembly .....	8-168
8.4.4.5 Removal and refitting of tailgate handle cover .....	8-169
8.4.4.6 Removal and refitting of tailgate side trim panel assembly .....	8-170
8.5 Interiors .....	8-171
8.5.1 Precautions .....	8-171
8.5.2 Exploded view of structure.....	8-172
8.5.3 Safety handle .....	8-175
8.5.3.1 Removal and refitting of safety handle .....	8-175
8.5.4 Sun visor .....	8-177
8.5.4.1 Removal and refitting of sun visor mount cover plate .....	8-177
8.5.4.2 Removal and refitting of sun visor hook cover plate.....	8-178
8.5.4.3 Removal and refitting of sun visor .....	8-179
8.5.4.4 Removal and refitting of left sun visor hook.....	8-181
8.5 Side trims .....	8-182
8.5.5.1 Removal and refitting of A-pillar upper protective plate assembly .....	8-182
8.5.5.2 Removal and refitting of B-pillar lower protective plate assembly.....	8-183
8.5.5.3 Removal and refitting of B-pillar upper protective plate assembly .....	8-185

---

8.5.5.4 Removal and refitting of C-pillar lower trim cover .....	8-186
8.5.5.5 Removal and refitting of seat backrest lock trim .....	8-187
8.5.5.6 Removal and refitting of C-pillar lower protective plate assembly .....	8-188
8.5.5.7 Removal and refitting of C-pillar upper protective plate assembly .....	8-190
8.5.5.8 Removal and refitting of left D-pillar upper protective plate assembly .....	8-191
8.5.5.9 Removal and refitting of right D-pillar upper protective plate assembly .....	8-192
8.5.5.10 Removal and refitting of rear side wall inner trim panel assembly .....	8-193
8.5.5.11 Removal and refitting of trunk front rope hook .....	8-196
8.5.5.12 Removal and refitting of trunk hook assembly .....	8-196
8.5.5.13 Removal and refitting of trunk air vent .....	8-197
8.5.5.14 Removal and refitting of trunk horn cover .....	8-198
8.5.5.15 Removal and refitting of trunk rear rope hook trim .....	8-199
8.5.5.16 Removal and refitting of left rear side wall mounting bracket .....	8-200
8.5.5.17 Removal and refitting of right rear side wall mounting bracket .....	8-201
8.5.5.18 Removal and refitting of trunk cover plate for driver's tool .....	8-202
8.5.5.19 Removal and refitting of rear side wall lower mounting bracket .....	8-203
8.5.6 Ceiling system .....	8-205
8.5.6.1 Removal and refitting of roof inner trim panel assembly .....	8-205
8.5.7 Door sill inner trim panel .....	8-206
8.5.7.1 Removal and refitting of front door sill protective plate assembly .....	8-206
8.5.7.2 Removal and refitting of rear door sill protective plate assembly .....	8-208
8.5.7.3 Removal and refitting of tailgate sill protective plate assembly .....	8-209
8.5.8 Trunk trim .....	8-210
8.5.8.1 Removal and refitting of trunk carpet assembly .....	8-210
8.5.8.2 Removal and refitting of trunk cover curtain assembly .....	8-211
8.5.8.3 Removal and refitting of rear floor carpet assembly .....	8-212
8.5.9 Trims .....	8-213
8.5.9.1 Removal and refitting of front floor front carpet assembly .....	8-213
8.5.9.2 Removal and refitting of front floor rear carpet assembly .....	8-214
8.5.10 Insulation devices .....	8-215
8.5.10.1 Removal and refitting of engine hood sound insulation pad .....	8-215
8.5.10.2 Removal and refitting of motor insulation pad .....	8-216
8.5.10.3 Removal and refitting of motor insulation pad .....	8-217
8.5.11 Front trunk trims .....	8-219
8.5.11.1 Removal and refitting of engine compartment storage box assembly .....	8-219
8.5.11.2 Removal and refitting of engine compartment storage box cover plate .....	8-221

---

8.5.11.3 Removal and refitting of engine compartment storage box body .....	8-223
8.5.11.4 Removal and refitting of engine compartment storage box pad.....	8-224
8.5.11.5 Removal and refitting of fuse box cover .....	8-225
8.5.11.6 Removal and refitting of fuse box base .....	8-226
8.6 Exteriors .....	8-228
8.6.1 Precautions .....	8-228
8.6.2 Window trims.....	8-229
8.6.2.1 Removal and refitting of front door B-pillar trim panel assembly.....	8-229
8.6.2.2 Removal and refitting of rear door B-pillar trim panel plate assembly.....	8-230
8.6.2.3 Removal and refitting of rear door C-pillar trim panel assembly .....	8-231
8.6.2.4 Removal and refitting of side rear wall D-pillar trim panel assembly.....	8-232
8.6.2.5 Removal and refitting of tailgate trim trip assembly.....	8-233
8.6.3 Bumper and grille system .....	8-234
8.6.3.1 Position diagram of parts .....	8-234
8.6.3.2 Exploded view of structure.....	8-235
8.6.3.3 Removal and refitting of front bumper assembly .....	8-239
8.6.3.4 Removal and refitting of front bumper energy absorption block.....	8-243
8.6.3.5 Removal and refitting of front bumper mount .....	8-244
8.6.3.6 Removal and refitting of front bumper left upper mount .....	8-246
8.6.3.7 Removal and refitting of front bumper middle bracket.....	8-247
8.6.3.8 Removal and refitting of front bumper middle support plate.....	8-248
8.6.3.9 Removal and refitting of front grille assembly.....	8-249
8.6.3.10 Removal and refitting of rear bumper assembly.....	8-251
8.6.3.11 Removal and refitting of rear bumper left mount .....	8-255
8.6.3.12 Removal and refitting of rear bumper left upper mount.....	8-257
8.6.3.13 Removal and refitting of rear bumper upper mount.....	8-258
8.6.3.14 Removal and refitting of radiator air deflector (REV).....	8-259
8.6.3.15 Removal and refitting of AGS rear air deflector (EV) .....	8-260
8.6.3.16 Removal and refitting of radiator air deflector (EV) .....	8-262
8.6.3.17 Removal and refitting of front deflector.....	8-263
8.6.4 Auxiliary equipment system .....	8-264
8.6.4.1 Removal and refitting of front wheel housing mudguard assembly.....	8-264
8.6.4.2 Removal and refitting of rear wheel housing mudguard assembly .....	8-266
8.6.4.3 Removal and refitting of front lower protective plate (REV) .....	8-269
8.6.4.4 Removal and refitting of front lower protective plate (EV).....	8-271
8.6.4.5 Removal and refitting of middle lower protective plate (REV).....	8-273

---

8.6.4.6 Removal and refitting of rear lower protective plate (REV) .....	8-274
8.6.4.7 Removal and refitting of rear lower protective plate (EV).....	8-275
8.6.4.8 Removal and refitting of fuel tank access cover .....	8-276
8.6.4.9 Removal and refitting of rear lower protective plate bracket .....	8-277
8.6.5 Roof opening and closing system .....	8-278
8.6.5.1 Specifications .....	8-278
8.6.5.2 Description and operation .....	8-279
8.6.5.3 Position diagram of parts .....	8-280
8.6.5.4 Exploded view of structure.....	8-281
8.6.5.5 Removal and refitting of sunroof assembly .....	8-283
8.6.5.6 Removal and refitting of sunroof sealing strip .....	8-285
8.6.5.7 Removal and refitting of A-pillar sunroof drain pipe.....	8-286
8.6.5.8 Removal and refitting of C-pillar sunroof drain pipe .....	8-288
8.6.6 Exterior trim system .....	8-290
8.6.6.1 Removal and refitting of lower skirt board assembly .....	8-290
8.6.6.2 Removal and refitting of front door guard strip assembly.....	8-292
8.6.6.3 Removal and refitting of rear door guard strip assembly.....	8-293
8.6.6.4 Removal and refitting of front wheel trim assembly.....	8-294
8.6.6.5 Removal and refitting of front section of rear wheel trim assembly.....	8-296
8.6.6.6 Removal and refitting of rear section of rear wheel trim assembly .....	8-297
8.6.6.7 Removal and refitting of rear side wall vent grille assembly.....	8-298
8.6.6.8 Removal and refitting of rear air deflector assembly .....	8-299
8.6.6.9 Removal and refitting of front windshield lower cover plate seal .....	8-301
8.6.6.10 Removal and refitting of engine compartment left front trim panel assembly (EV).....	8-302
8.6.6.11 Removal and refitting of engine compartment front middle trim panel assembly (EV).....	8-303
8.6.6.12 Removal and refitting of engine compartment rear trim panel assembly.....	8-304
8.6.6.13 Removal and refitting of seam trim .....	8-305
8.6.6.14 Removal and refitting of front windshield trim strip assembly .....	8-306
8.6.6.15 Removal and refitting of fender trim.....	8-307
8.6.6.16 Removal and refitting of tailgate air deflector assembly.....	8-308
8.6.6.17 Removal and refitting of roof rack assembly .....	8-309
8.6.6.18 Removal and refitting of water deflector .....	8-310
8.6.6.19 Removal and refitting of engine hood panel assembly (REV).....	8-311
8.6.6.20 Removal and refitting of engine compartment front trim panel assembly (REV).....	8-312
8.6.6.21 Removal and refitting of engine compartment front middle trim panel assembly (REV) .....	8-313
8.6.6.22 Removal and refitting of windshield lower trim panel assembly.....	8-314

---

8.6.7 Wiper washer system.....	8-316
8.6.7.1 Description and operation .....	8-316
8.6.7.2 Specifications .....	8-317
8.6.7.3 Position diagram of parts .....	8-318
8.6.7.4 Exploded view of structure.....	8-319
8.6.7.5 SST and equipment .....	8-321
8.6.7.6 Removal and refitting of front wiper arm end cover.....	8-322
8.6.7.7 Removal and refitting of front wiper blade assembly.....	8-323
8.6.7.8 Removal and refitting of front wiper arm assembly .....	8-324
8.6.7.9 Removal and refitting of wiper cover plate.....	8-325
8.6.7.10 Removal and refitting of left nozzle.....	8-328
8.6.7.11 Removal and refitting of rear pipe assembly 2 .....	8-329
8.6.7.12 Removal and refitting of front pipe assembly .....	8-329
8.6.7.13 Removal and refitting of filler pipe assembly .....	8-331
8.6.7.14 Removal and refitting of washer fluid reservoir assembly .....	8-332
8.6.7.15 Removal and refitting of front wiper motor & bracket assembly.....	8-334
8.6.7.16 Removal and refitting of rear wiper arm & blade assembly.....	8-335
8.6.7.17 Removal and refitting of rear wiper motor and bracket assembly .....	8-337
8.6.7.18 Removal and refitting of rear pipe assembly .....	8-339
8.6.7.19 Removal and refitting of rear nozzle assembly.....	8-340
8.6.8 Rearview mirror system .....	8-341
8.6.8.1 Specifications .....	8-341
8.6.8.2 Description and operation .....	8-342
8.6.8.3 Exploded view of structure .....	8-343
8.6.8.4 Position diagram of parts .....	8-345
8.6.8.5 Removal and refitting of exterior rearview mirror assembly .....	8-346
8.6.8.6 Removal and refitting of exterior mirror lenses .....	8-348
8.6.8.7 Removal and refitting of interior rearview mirror front trim cover .....	8-349
8.6.8.8 Removal and refitting of interior rearview mirror trim plug.....	8-350
8.6.8.9 Removal and refitting of interior rearview mirror rear trim cover .....	8-351
8.6.8.10 Removal and refitting of interior rearview mirror assembly .....	8-352

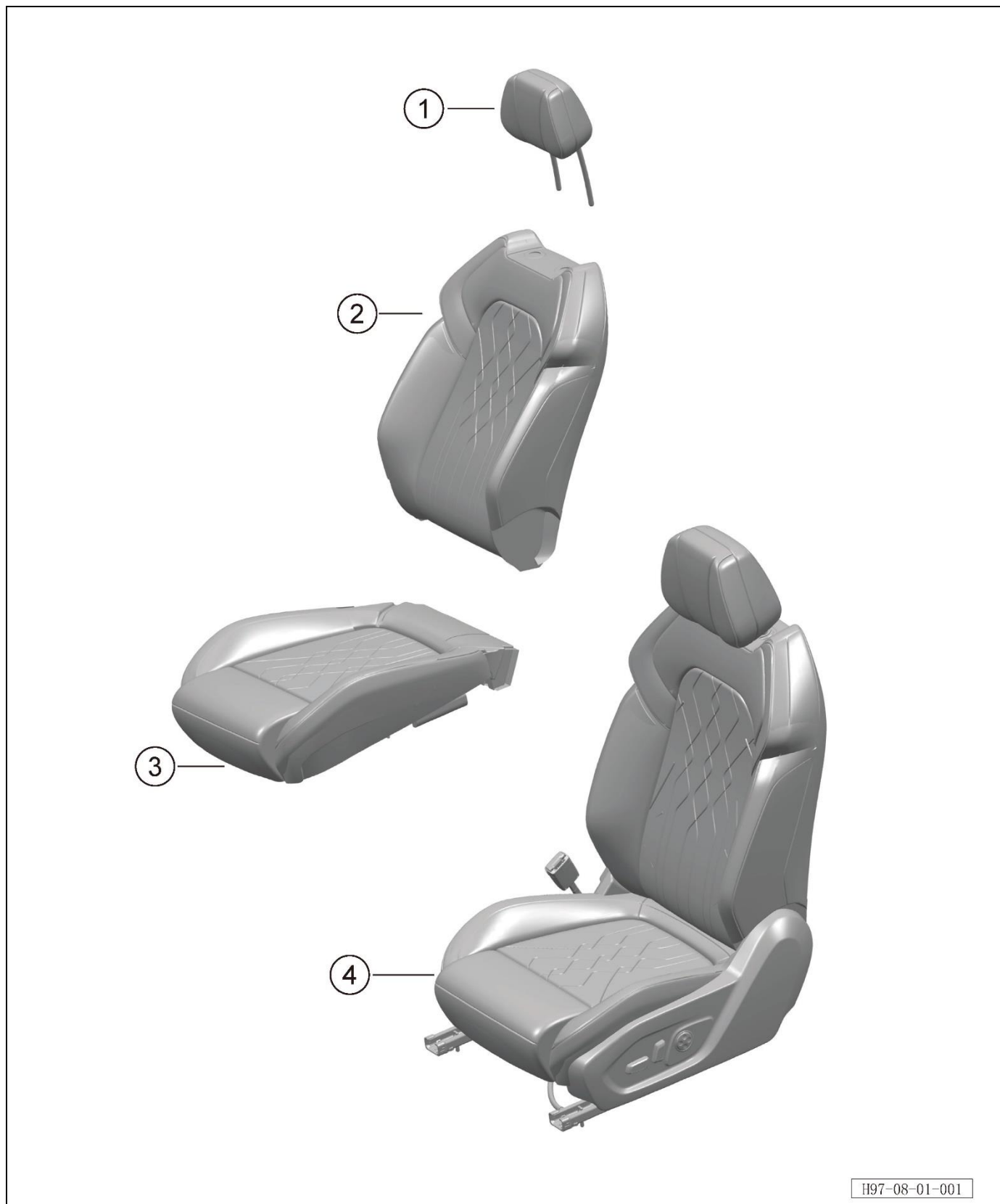


## **8.1 Seats**

### **8.1.1 Precautions**

- Be sure to take protective measures on the body and apply the protection washer before refitting, so as to avoid scratching the body when removing or taking off the seats.
- Do not move the seat rail after the seat is removed to avoid refitting problem.
- During refitting, align the dowel pin of seat with the locating hole of body first and then insert the seat fixing bolt.

8.1.2 Exploded view



---

S/N	Part name	Loading quantity	Remarks
1	Front seat head restraint cover assembly	1	Black
2	Front seat backrest cover assembly	1	
3	Front seat cushion cover assembly	1	
4	Front seat cover assembly	1	Black

## 8.1.4 Removal and refitting of front seat

### 8.1.4.1 Removal and refitting of front seat assembly

Removal procedure

Note:

- The following is the removal and refitting of the left front seat, which can be referred to for the operations on the right side.

1. Remove the front seat assembly.

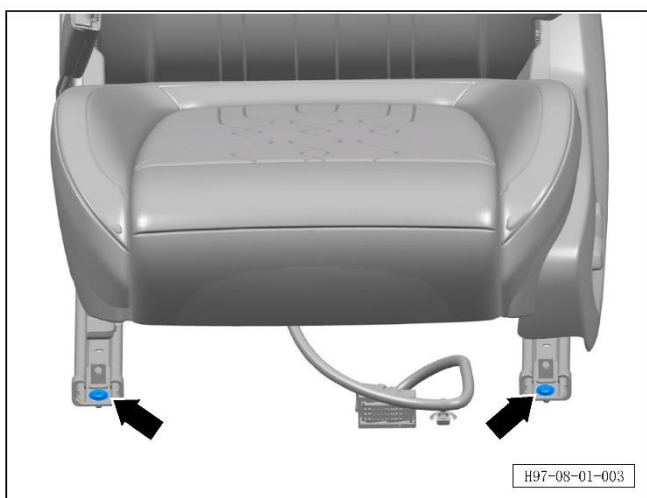
a. Move the seat to the forefront and unscrew 2 rear fixing bolts of left front seat assembly.

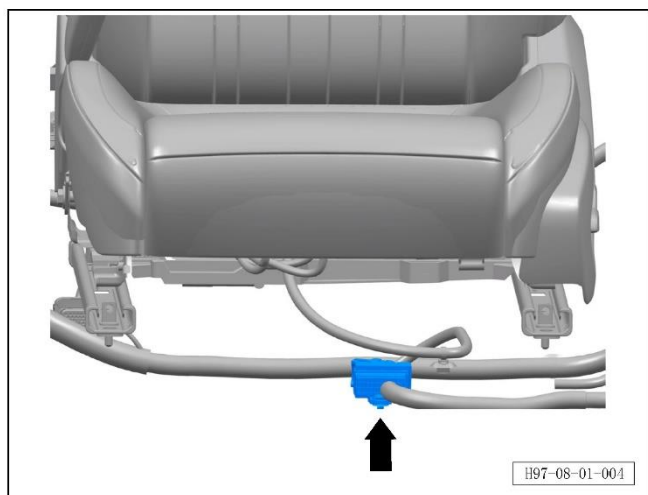
Tightening torque of bolt:  $55\pm 8\text{Nm}$ .



b. Unscrew 2 front fixing bolts of the left front seat assembly.

Tightening torque of bolt:  $55\pm 8\text{Nm}$ .





- c. Turn off all electrical appliances and turn off the start switch.
- d. Disconnect the battery negative terminal (refer to [3.1.7.1 Maintenance and inspection of battery](#))
- e. Disconnect the front seat connector.
- f. Remove the front seat assembly.

#### Refitting procedure

The refitting procedure is performed in reverse order.

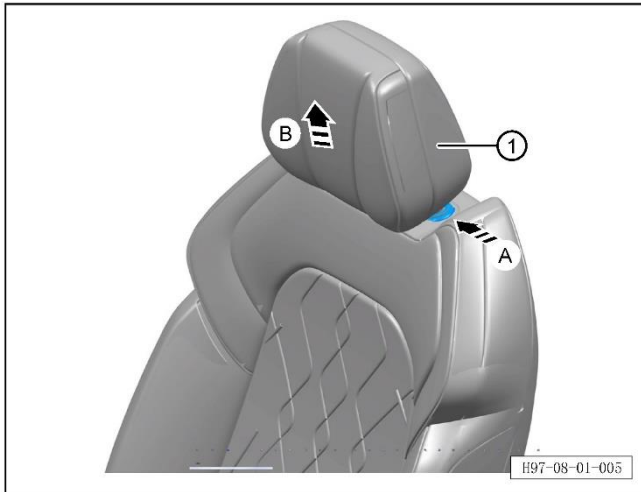
#### CAUTION:

- Tighten the bolts of front seat assembly to the specified torque.
- After the refitting, test the functions of the front seat assembly.

### 8.1.4.2 Removal and refitting of front seat head restraint assembly

Removal procedure

1. Press the head restraint height adjustment button.
2. Remove the front seat head restraint assembly ①.



Refitting procedure

The refitting procedure is performed in reverse order.

### 8.1.4.3 Removal and refitting of front seat head restraint guide part assembly

Removal procedure

Note:

- The following is the removal and refitting of the left seat head restraint guide part, which can be referred to for the operations on the right side.

1. Remove the front seat head restraint assembly (refer to [8.1.3.2 Removal and refitting of front seat head restraint assembly](#))

2. Remove the left front seat assembly (refer to [8.1.3.1 Removal and refitting of front seat assembly](#))

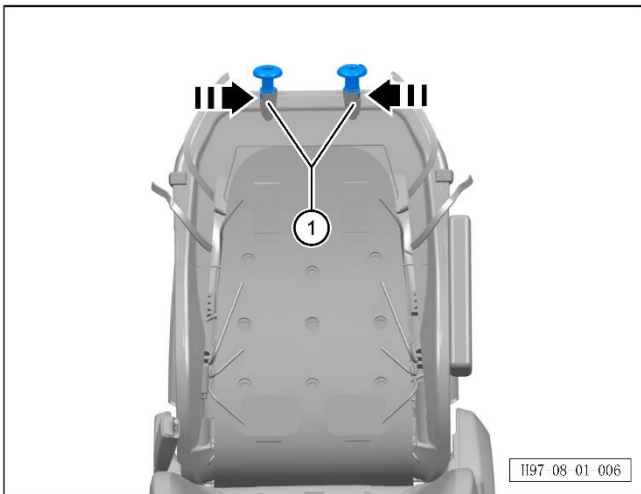
3. Remove the front seat backrest cover assembly (refer to [8.1.3.7 Removal and refitting of front seat backrest cover assembly](#))

4. Remove the front seat backrest foam assembly (refer to [8.1.3.4 Removal and refitting of front seat backrest foam assembly](#))

5. Remove the front seat head restraint guide part.

a. Lift the corner of the front seat backrest foam and press the fixing clip of the front seat head restraint guide part.

b. Remove the front seat head restraint guide part ①.



Refitting procedure

The refitting procedure is performed in reverse order.

#### 8.1.4.4 Removal and refitting of front seat backrest foam assembly

Removal procedure

Note:

- The following is the removal and refitting of the left backrest foam assembly, which can be referred to for the operations on the right side.

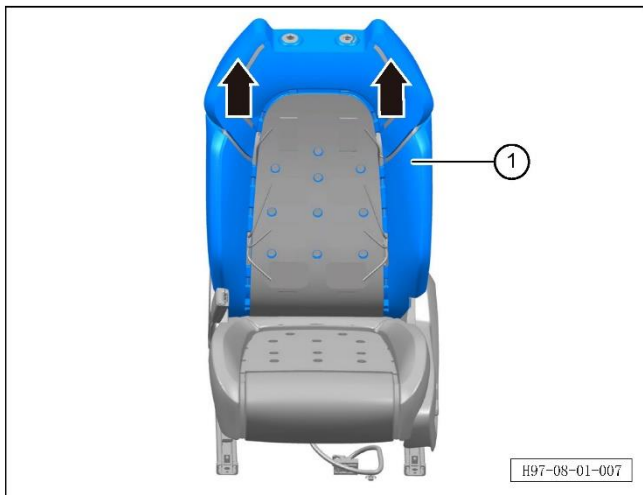
1. Remove the left front seat head restraint assembly (refer to [8.1.3.2 Removal and refitting of front seat head restraint assembly](#))

2. Remove the left front seat assembly (refer to [8.1.3.1 Removal and refitting of front seat assembly](#))

3. Remove the left front seat backrest cover assembly (refer to [8.1.3.7 Removal and refitting of front seat backrest cover assembly](#))

4. Remove the front seat backrest foam assembly.

a. Disconnect the left front backrest foam and the backrest frame, and take out the left front backrest foam ①.



Refitting procedure

The refitting procedure is performed in reverse order.



### 8.1.4.5 Removal and refitting of front seat cushion foam assembly

Removal procedure

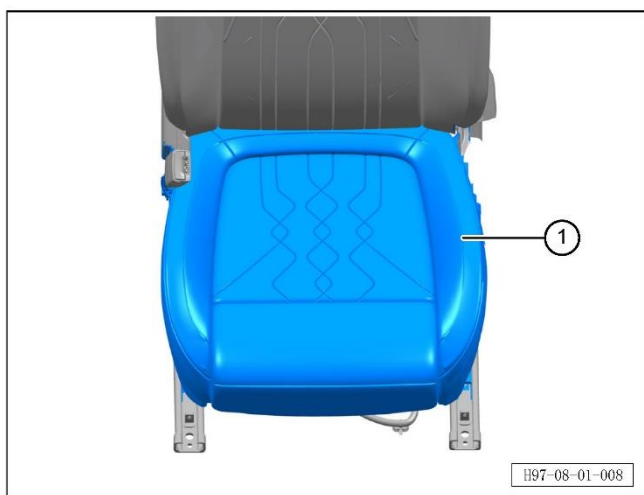
Note:

- The following is the removal and refitting of the left seat cushion foam, which can be referred to for the operations on the right side.

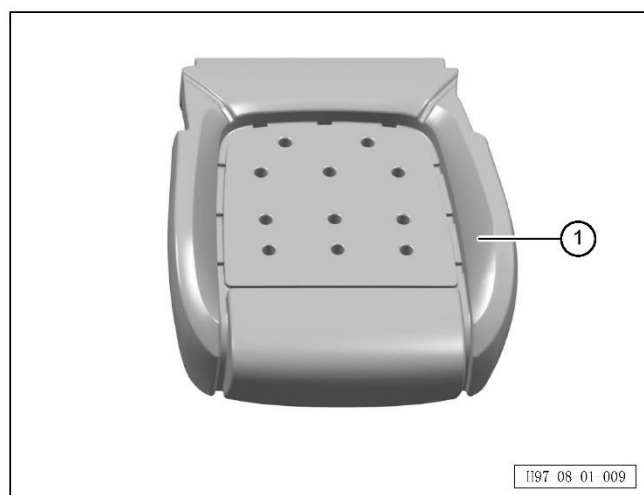
1. Remove the 12-way power driver seat outer trim panel (refer to [8.1.3.8 Removal and refitting of front power seat inner/outer trim panel](#))

2. Remove the front left seat cushion foam assembly.

a. Take out the front left seat cushion foam assembly ① (Including seat cushion cover assembly).



b. Detach the front left seat cushion cover assembly and take out the front left seat cushion foam assembly ①.



Refitting procedure

The refitting procedure is performed in reverse order.

#### 8.1.4.6 Removal and refitting of front seat cushion cover assembly

Removal procedure

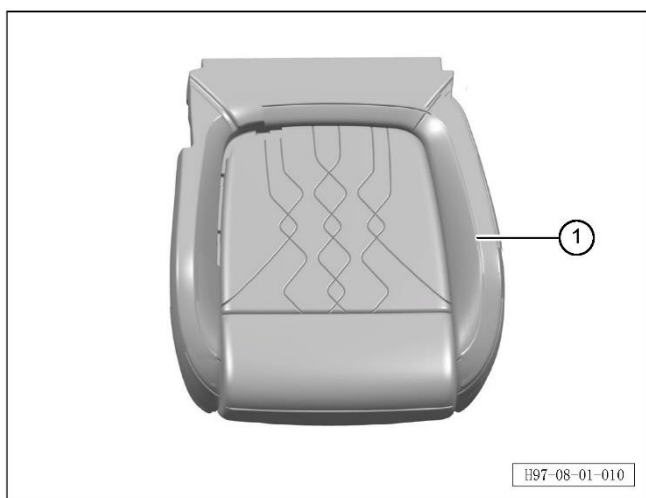
Note:

- The following is the removal and refitting of the left front seat cushion cover assembly, which can be referred to for the operations on the right side.

1. Remove the left seat cushion foam assembly of the front seat (refer to [8.1.3.5 Removal and refitting of front seat cushion foam assembly](#))

2. Remove the front seat cushion cover assembly.

a. Detach the front left seat cushion cover assembly and take out the front left seat cushion cover assembly ①.



Refitting procedure

The refitting procedure is performed in reverse order.

### 8.1.4.7 Removal and refitting of front seat backrest cover assembly

Removal procedure

Note:

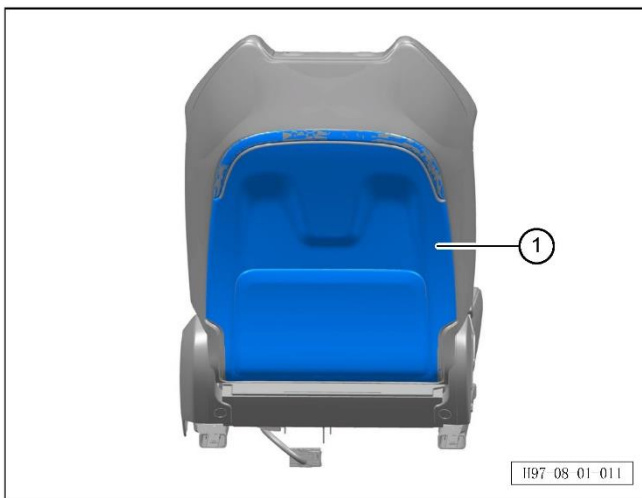
- The following is the removal and refitting of the front left seat backrest cover assembly, which can be referred to for the operations on the right side.

1. Remove the left front seat head restraint assembly (refer to [8.1.3.2 Removal and refitting of front seat head restraint assembly](#))

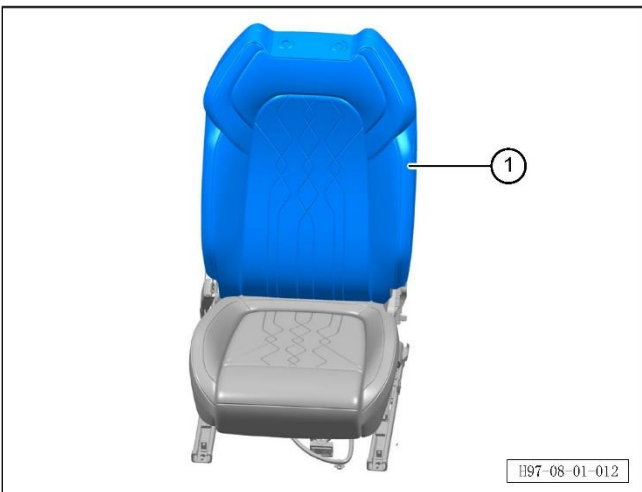
2. Remove the inner and outer trim panels of the front power seats (refer to [8.1.3.8 Removal and refitting of electric front seat inner/outer trim panel](#))

3. Remove the front seat backrest cover assembly.

a. Remove the front seat backrest panel ①.



b. Detach the front seat backrest cover assembly and take out the front seat backrest cover assembly ①.



Refitting procedure

The refitting procedure is performed in reverse order.

### 8.1.4.8 Removal and refitting of front power seat inner/outer trim panel

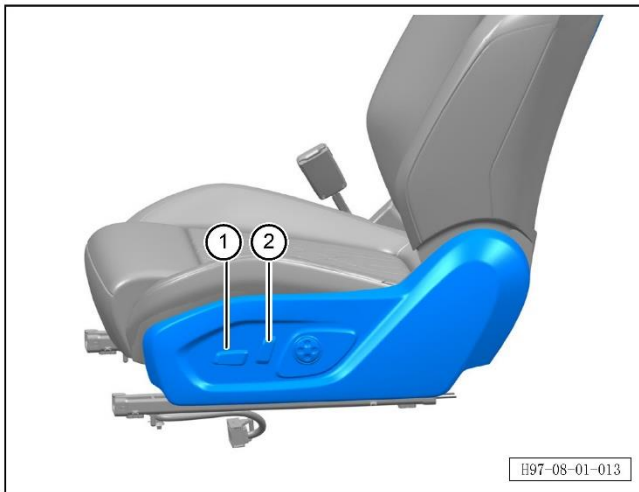
Removal procedure

Note:

- The following is the removal and refitting of the inner and outer trim panels of the 12-way power driver seat, which is the same as that of the front passenger seat.

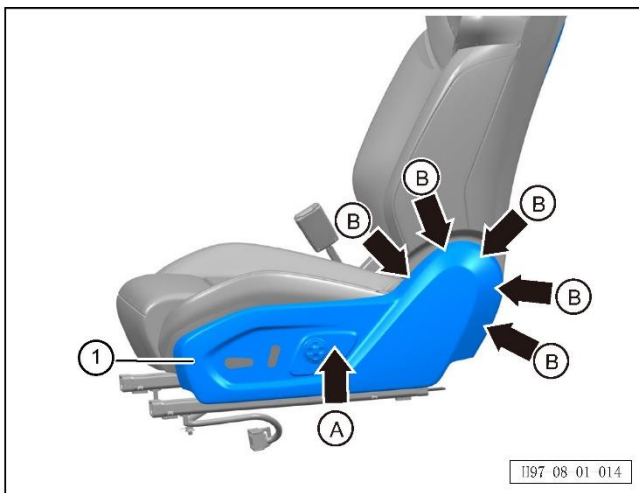
Front seat outer trim panel

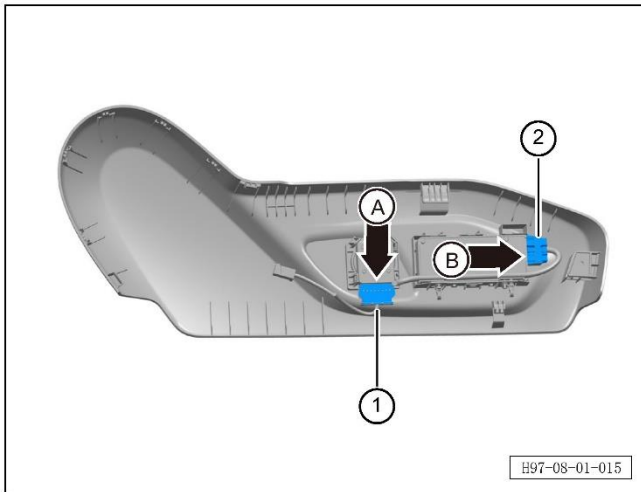
1. Detach the buttons ① and ② of the front seat control switch.



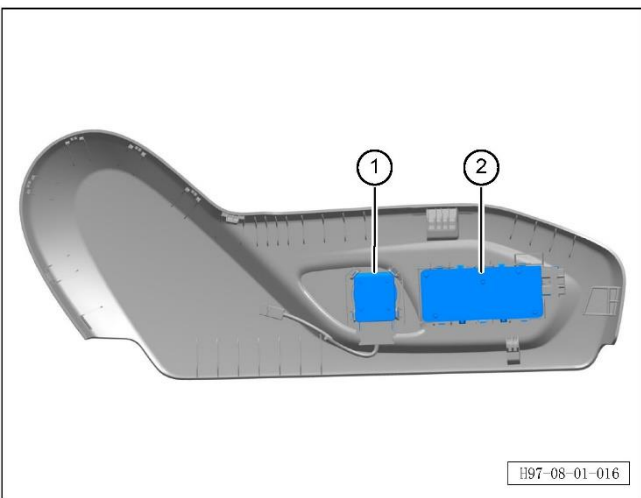
2. Disengage 6 fixing clips of the outer trim panel and frame of the front power seat on the driver side.

3. Detach the inner trim panel ① of the front seat.

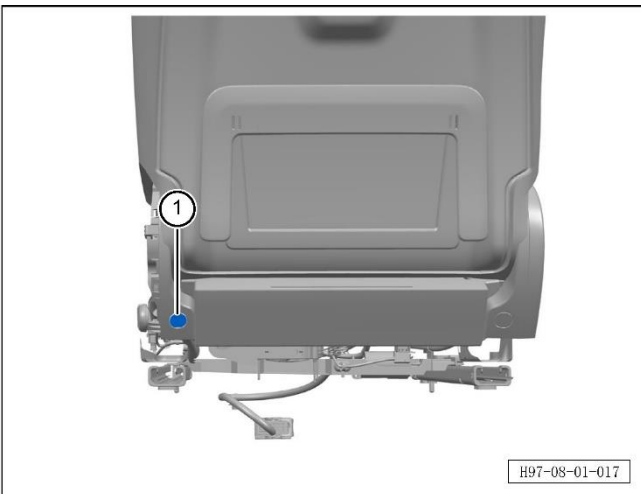




4. Disconnect the lumbar support controller connector ① and the seat adjuster connector ②.

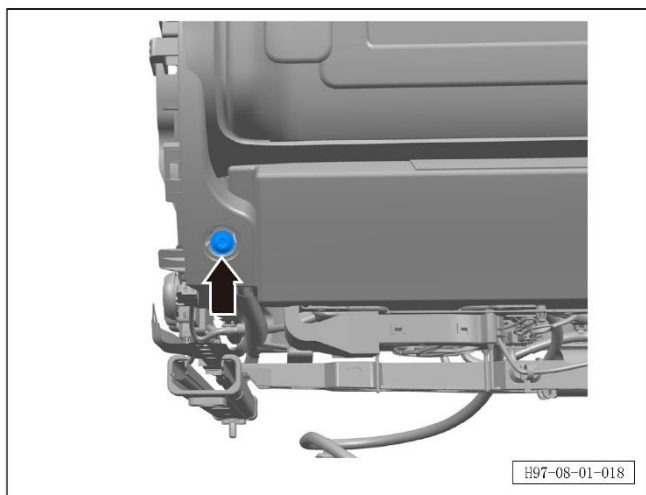


5. Remove the driver seat adjuster ② (refer to [8.1.3.9 Removal and refitting of driver seat adjuster](#))
6. Remove the lumbar support/massage module controller ① (refer to [8.1.3.10 Removal and refitting of lumbar support/massage module controller](#))
7. Remove the front seat outer trim panel.

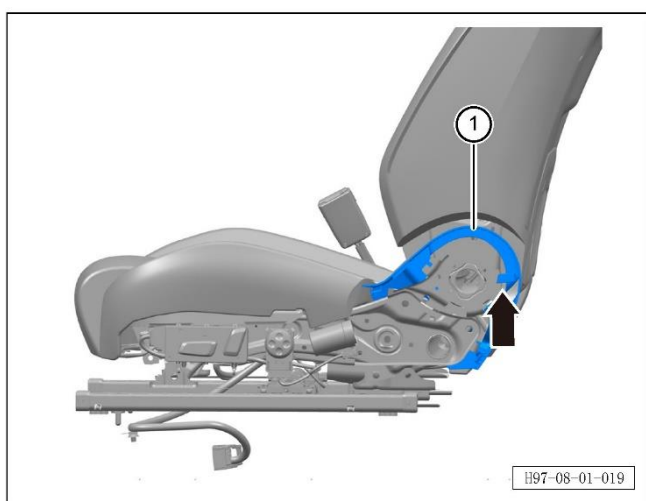


#### Front seat inner trim panel

1. Remove the plug ①.



2. Unscrew 1 fixing screw of the inner trim panel.  
Tightening torque of screw:  $2\pm 0.5\text{Nm}$



3. Disengage the fixing hole of the inner trim panel of the front seat and take out the front seat inner trim panel ①.

Refitting procedure

The refitting procedure is performed in reverse order.

**CAUTION:**

- When refitting the front seat trim panel, pay attention to the refitting position of the trim panel locating clip.

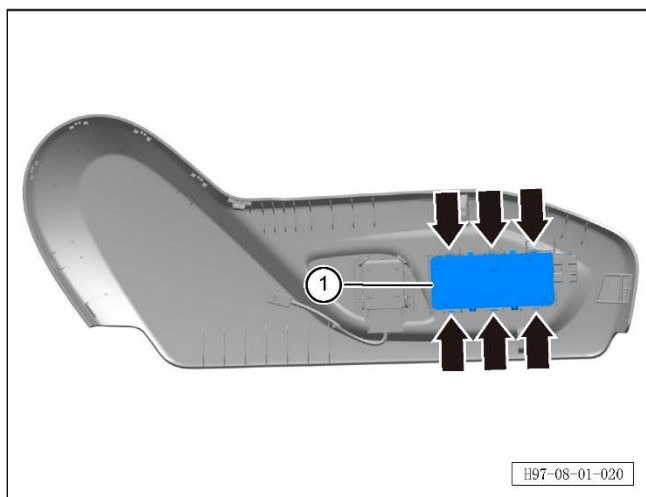
#### 8.1.4.9 Removal and refitting of seat adjuster

Removal procedure

Note:

- The following is the removal and refitting of the left front seat adjuster, which can be referred to for the operations on the right side.

1. Remove the front seat inner and outer trim panels (refer to [8.1.3.8 Removal and refitting of front power seat inner/outer trim panel](#))
2. Disengage 6 fixing clips of the seat adjuster, and take out the seat adjuster ①.



Refitting procedure

The refitting procedure is performed in reverse order.

#### 8.1.4.10 Removal and refitting of lumbar support/massage module controller

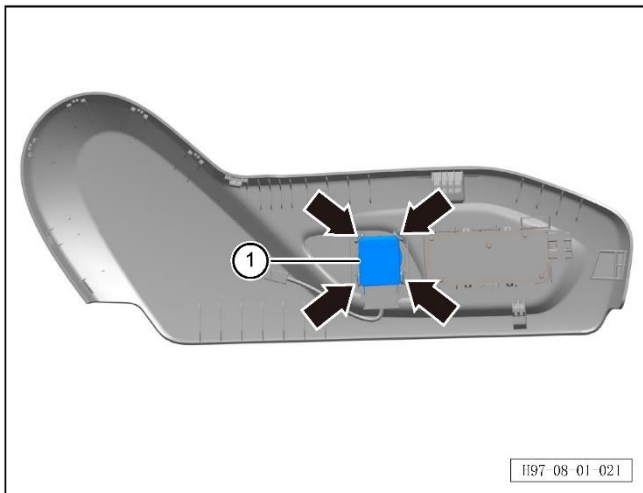
Removal procedure

Note:

- The following is the removal and refitting of the left front seat lumbar support/massage module controller, which is the same as that of the right front side.

1. Remove the left front seat inner and outer trim panels (refer to [8.1.3.8 Removal and refitting of front power seat inner/outer trim panel](#))

2. Disengage 4 fixing clips of the lumbar support/massage module controller, and take out the lumbar support/massage module controller ①.



Refitting procedure

The refitting procedure is performed in reverse order.



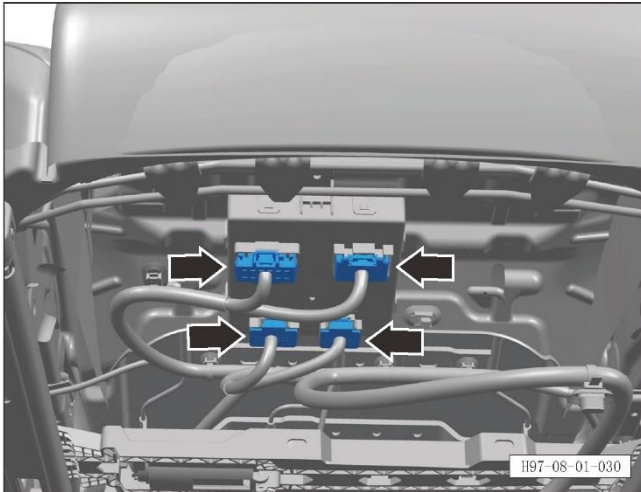
### 8.1.3.11 Removal and refitting of driver seat adjuster

Removal procedure

1. Remove the front seat assembly (refer to [8.1.3.1 Removal and refitting of front seat assembly](#))

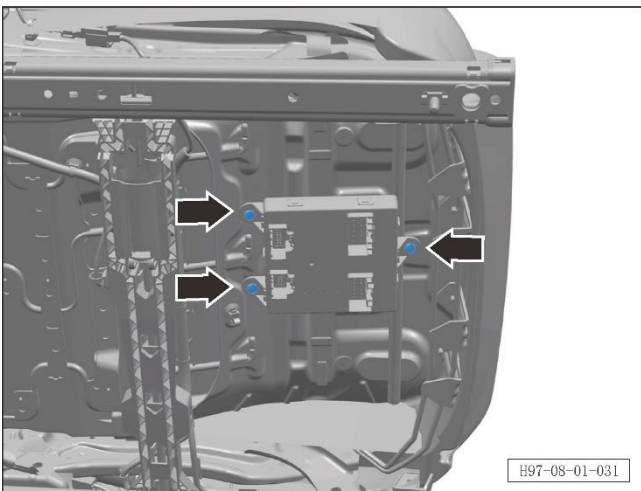
2. Remove the driver seat adjuster.

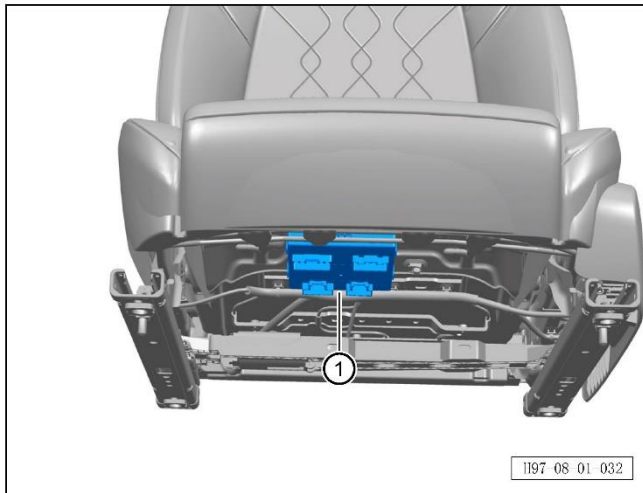
a. Disconnect 4 harness connectors from the driver seat adjuster.



b. Unscrew 3 fixing bolts of the driver seat adjuster.

Tightening torque of bolt:  $6\pm 1\text{Nm}$ .





c. Remove the driver seat adjuster ①.

Refitting procedure

The refitting procedure is performed in reverse order.

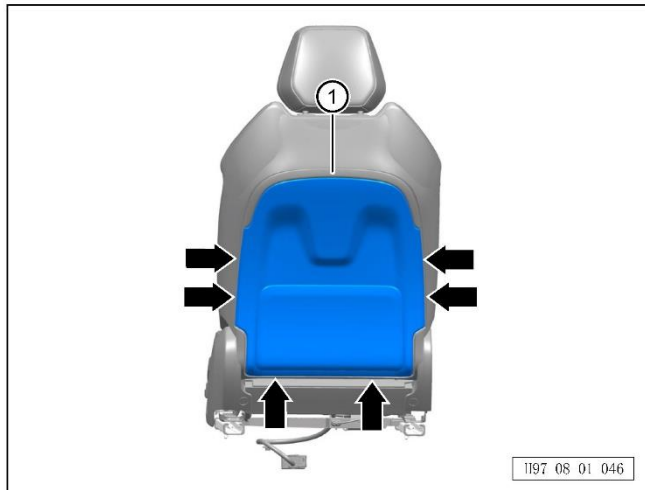
### 8.1.3.12 Removal and refitting of seat backrest panel

Note:

- The following is the removal and refitting of the left front seat backrest panel, which can be referred to for the operations on the right side.

1. Remove the left front seat backrest panel.

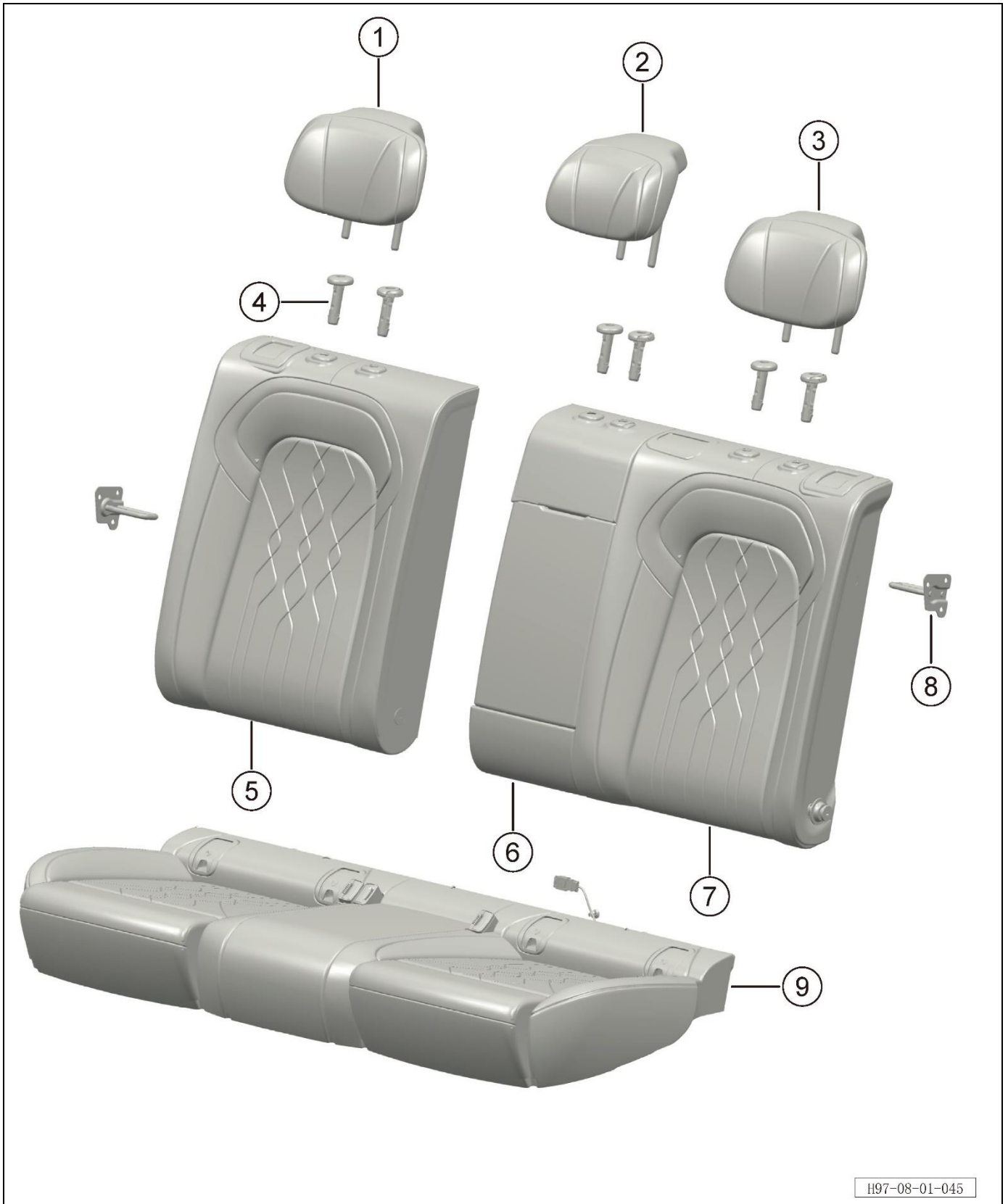
a. Disengage 6 fixing clips to detach the left front seat backrest panel ①.



Refitting procedure

The refitting procedure is performed in reverse order.

8.1.5 Exploded view



S/N	Part name	Loading quantity	Remarks
1	Right rear seat head restraint cover assembly	1	
2	Second row middle seat head restraint assembly	1	
3	Left rear seat head restraint cover assembly	1	
4	Rear seat head restraint guide part	6	
5	Right seat backrest assembly	1	
6	Second row armrest assembly	1	
7	Left seat backrest assembly	1	
8	Seat backrest fixing lock pin	2	
9	Seat cushion assembly	1	

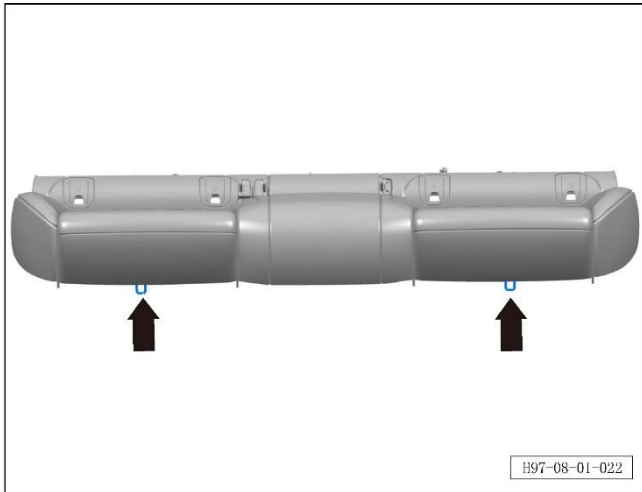
### 8.1.6 Removal and refitting of rear seat

#### 8.1.6.1 Removal and refitting of rear seat cushion assembly

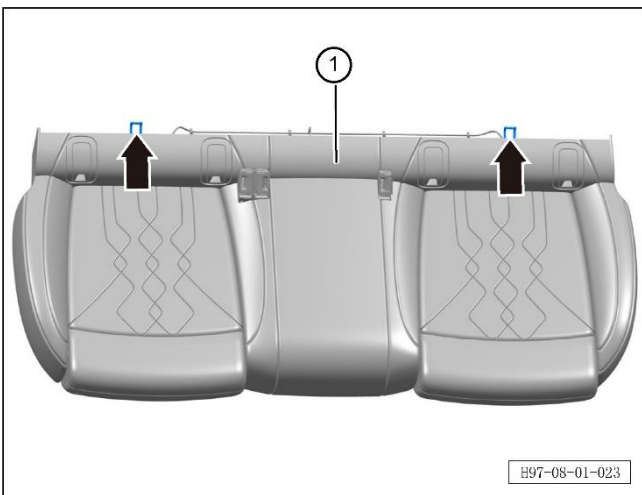
Removal procedure

1. Remove the rear seat cushion assembly.

a. Lift up the rear seat cushion assembly to detach it from the body fixing slot.



b. Lift the seat cushion assembly to disengage the hook connected to the body, and take out the rear seat cushion assembly ①.



Refitting procedure

The refitting procedure is performed in reverse order.

### 8.1.6.2 Removal and refitting of rear seat head restraint assembly

Removal procedure

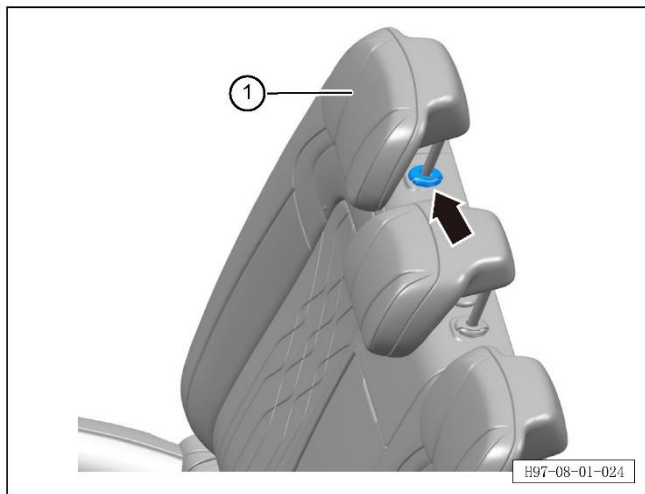
Note:

- The following is the removal and refitting of the right rear seat head restraint assembly, which is the same as that of the middle and left side.

1. Remove the rear seat head restraint assembly.

a. Press the head restraint height adjustment button in the in the direction (shown by arrow).

(a) Remove the rear seat head restraint assembly ①.



Refitting procedure

The refitting procedure is performed in reverse order.

### 8.1.6.3 Removal and refitting of rear seat head restraint guide part assembly

Removal procedure

Note:

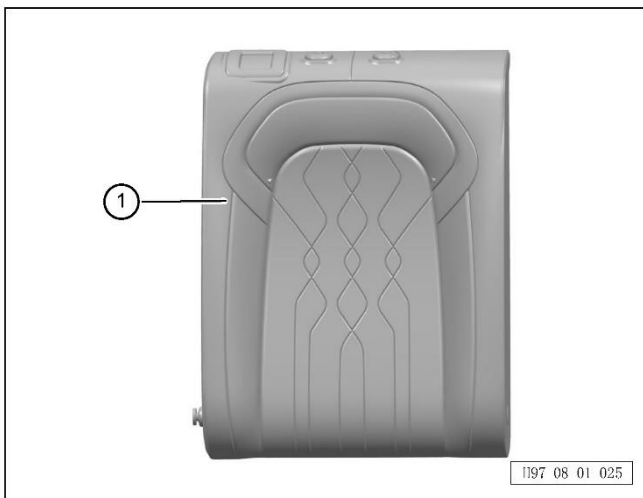
- The following is the removal and refitting of the right rear head restraint guide part, which is the same as that of the middle and left side.

1. Remove the rear seat head restraint assembly (refer to [8.1.5.2. Removal and refitting of rear seat head restraint assembly](#))

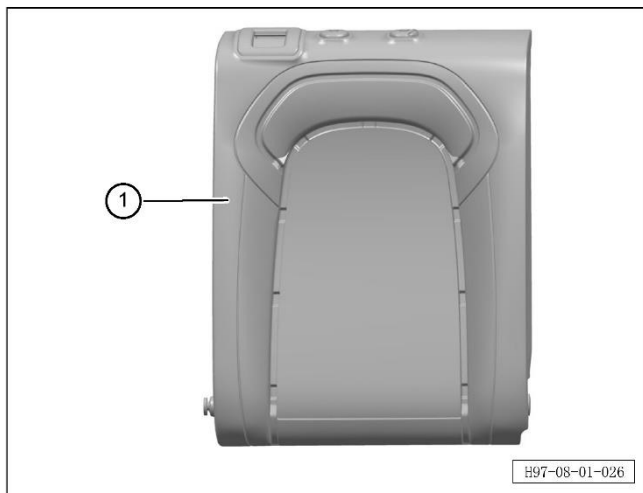
2. Remove the rear right seat backrest assembly (refer to [8.1.5.5 Removal and refitting of rear right seat backrest assembly](#))

3. Remove the rear seat head restraint guide part.

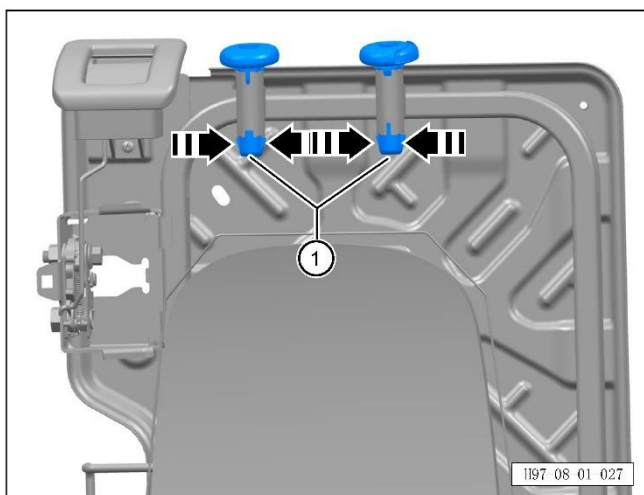
a. Remove the rear seat backrest cover ①.



b. Take out the rear seat backrest foam assembly ②.







- c. Press the fixing clip of the head restraint guide part.
- d. Remove the rear seat head restraint guide part ①.

Refitting procedure

The refitting procedure is performed in reverse order.

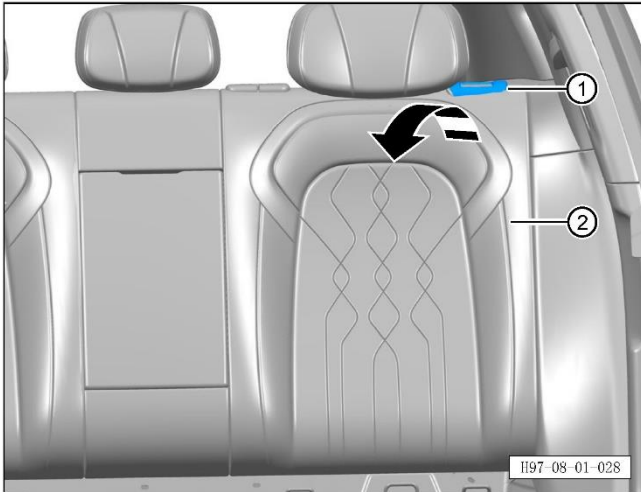
### 8.1.6.4 Removal and refitting of rear left seat backrest assembly

Removal procedure

1. Remove the rear seat cushion assembly (refer to [8.1.5.1 Removal and refitting of rear seat cushion assembly](#))

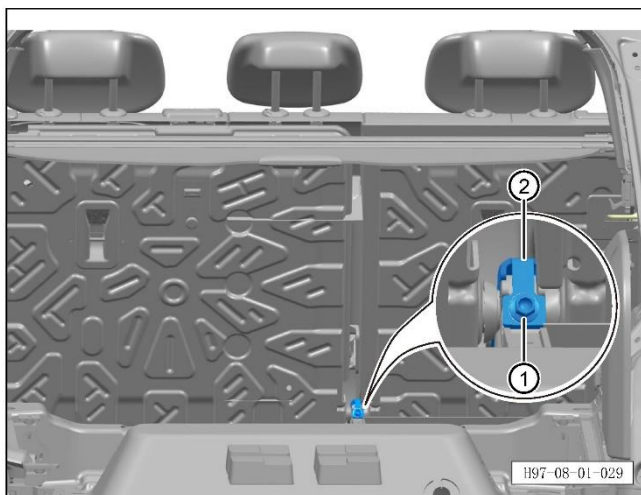
2. Remove the rear left seat backrest assembly.

a. Pull the rear left seat backrest assembly lock switch ①, and flip the rear left seat backrest assembly ②.

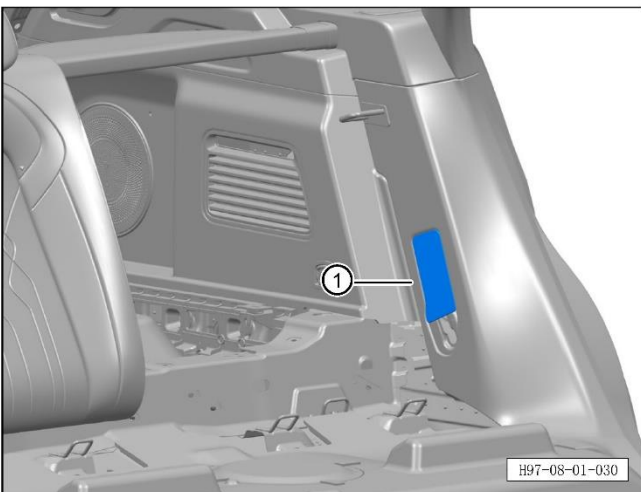


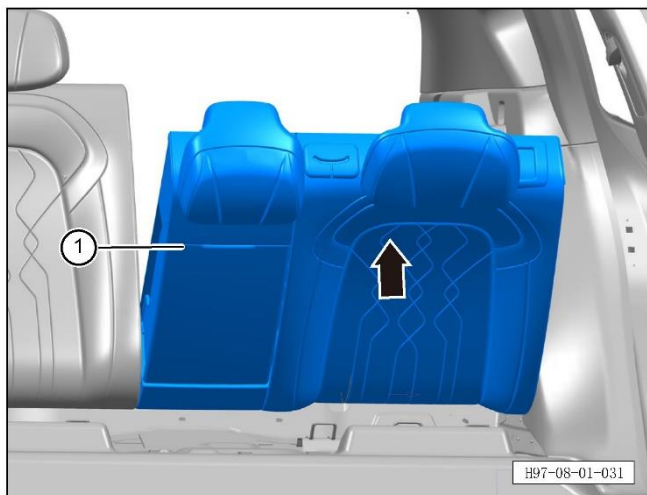
b. Unscrew the fixing bolts of the middle bracket cover plate ①. Remove the middle bracket cover plate ②.

Tightening torque of bolt:  $20\pm 3\text{Nm}$ .



c. Remove the left C-pillar lower trim panel ①.





d. Lift up the rear left seat backrest assembly first, and then remove the rear left seat backrest assembly ①.

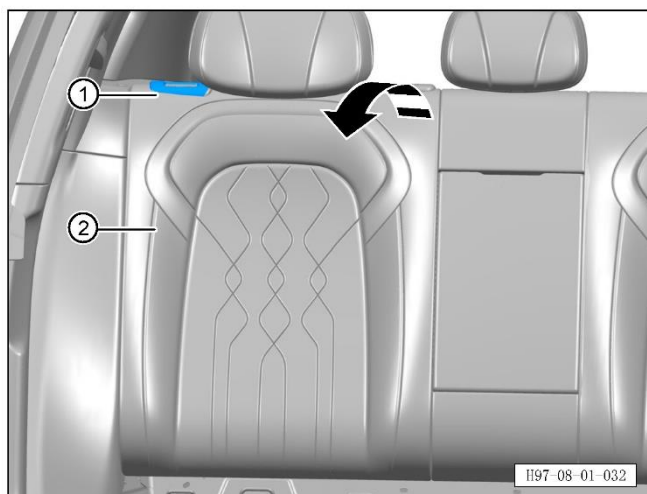
Refitting procedure

The refitting procedure is performed in reverse order.

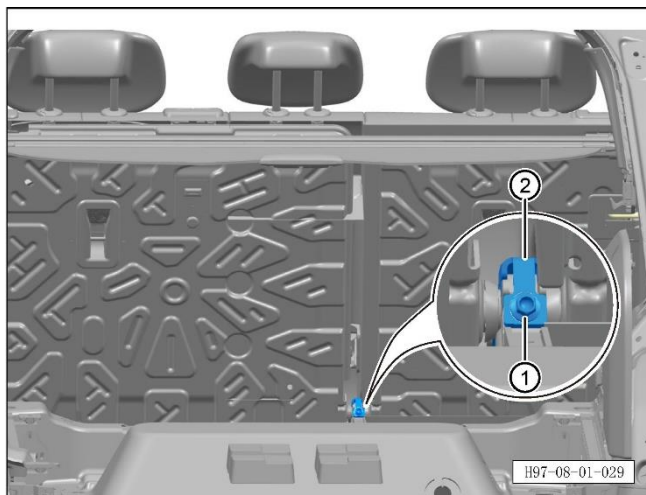
#### 8.1.6.5 Removal and refitting of rear right seat backrest assembly

Removal procedure

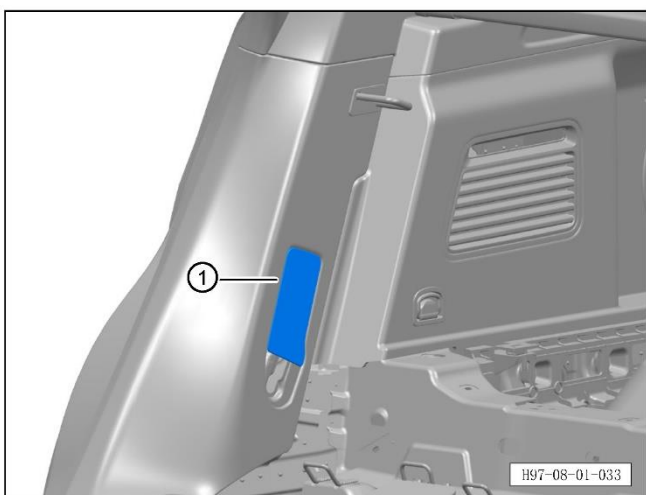
1. Remove the rear seat cushion assembly (refer to [8.1.5.1 Removal and refitting of rear seat cushion assembly](#))
2. Remove the rear right seat backrest assembly.



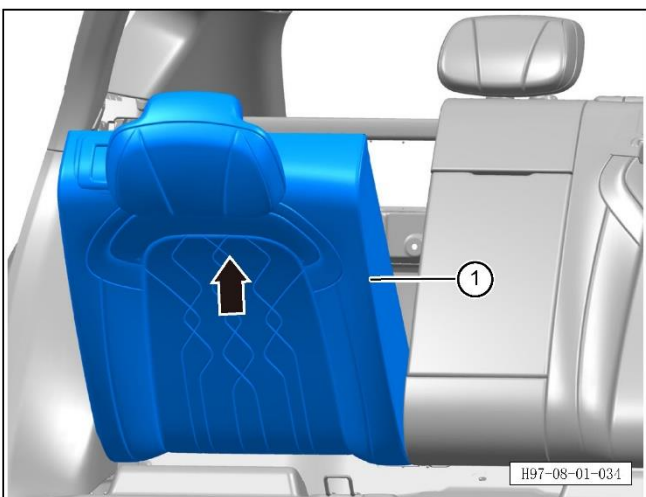
a. Pull the rear right seat backrest assembly lock switch ①, and flip the rear right seat backrest assembly ②.



- b. Unscrew the fixing bolts of the middle bracket cover plate ①. Remove the middle bracket cover plate ②.  
Tightening torque of bolt:  $20\pm 3\text{Nm}$ .



- c. Remove the right C-pillar lower trim panel ①.



- d. Lift up the rear right seat backrest assembly, and remove the rear right seat backrest assembly ①.

Refitting procedure

The refitting procedure is performed in reverse order.

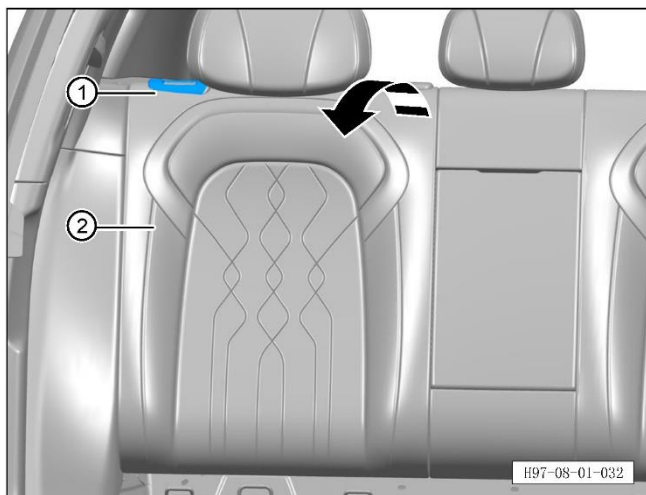
### 8.1.6.6 Removal and refitting of rear seat armrest assembly

Removal procedure

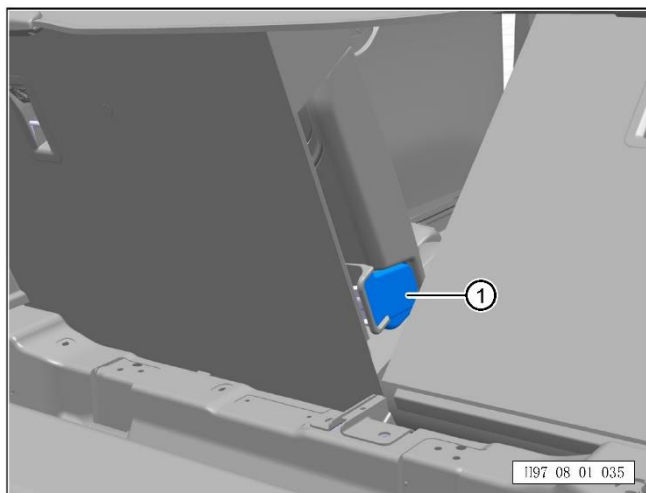
1. Remove the rear seat cushion assembly (refer to [8.1.5.1 Removal and refitting of rear seat cushion assembly](#))

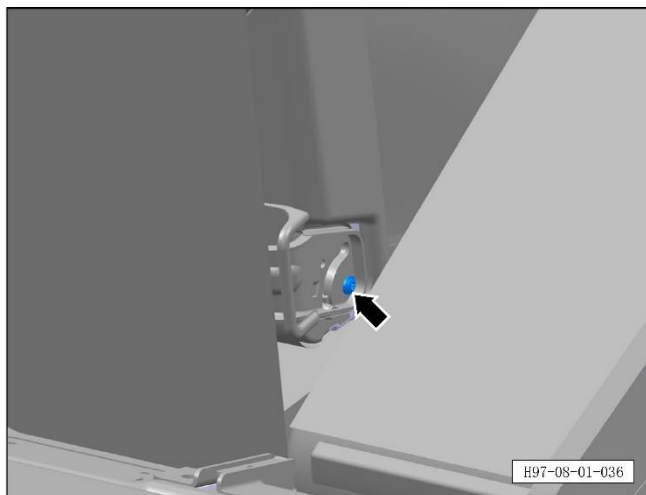
2. Remove the rear seat armrest assembly.

a. Pull the rear right seat backrest lock switch ①, and flip the rear left seat backrest ②.



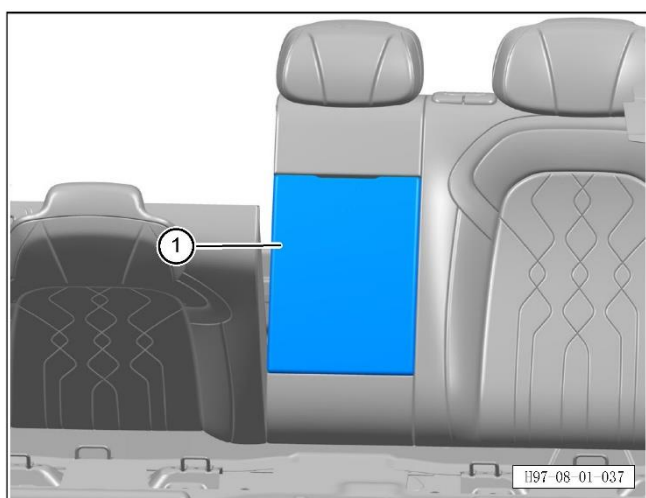
b. Remove the rear seat armrest trim cover ①.





c. Remove 1 fixing bolt of the rear seat armrest assembly.

Tightening torque of bolt:  $20\pm 3\text{Nm}$ .



d. Remove the rear seat armrest assembly ①.

Refitting procedure

The refitting procedure is performed in reverse order.

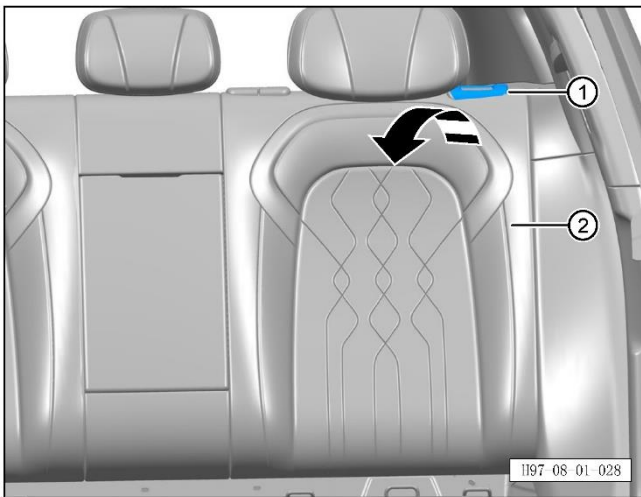
### 8.1.6.7 Removal and refitting of rear seat backrest lock assembly

Note:

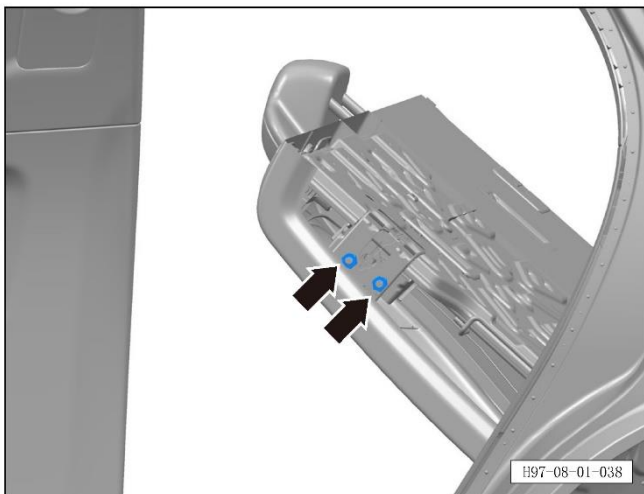
- The following is the removal and refitting of the left seat backrest lock, which can be referred to for the operations on the right side.

Removal procedure

1. Remove the rear seat head restraint assembly (refer to [8.1.5.2 Removal and refitting of rear seat head restraint assembly](#))
2. Remove the rear seat cushion assembly (refer to [8.1.5.1 Removal and refitting of rear seat cushion assembly](#))
3. Remove and refit the rear seat backrest lock assembly.

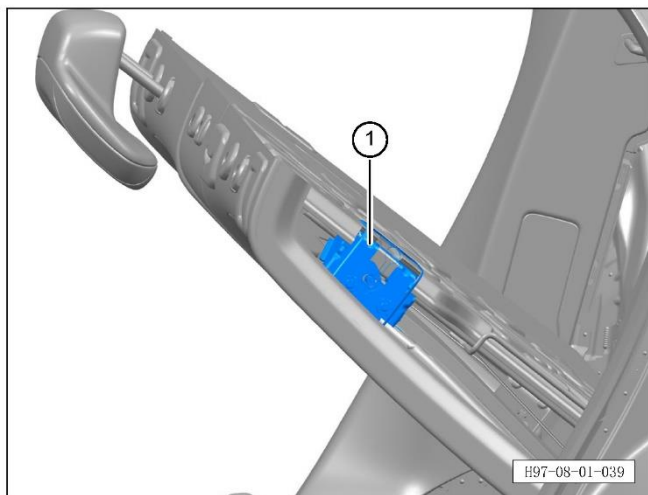


- a. Pull the rear left seat backrest lock switch ①, and flip the rear left seat backrest ②.



- b. Detach the left cover of the rear left seat backrest, and unscrew 2 fixing nuts of the left rear seat backrest lock.

Tightening torque of nut:  $15\pm 3\text{Nm}$ .



c. Remove the rear seat backrest lock ①.

Refitting procedure

The refitting procedure is performed in reverse order.

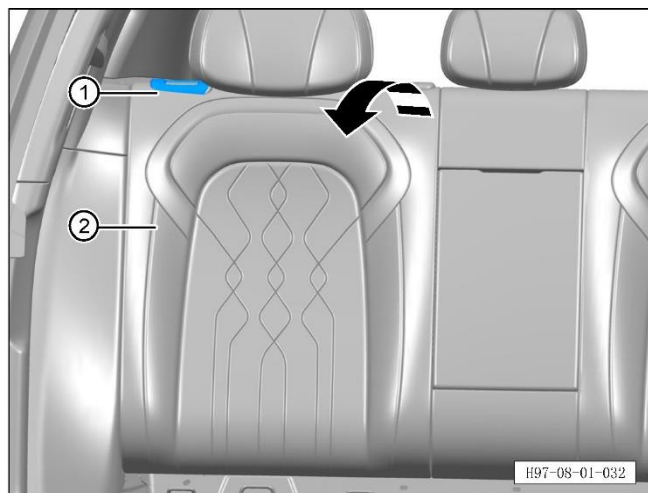
#### 8.1.6.8 Removal and refitting of middle bracket cover plate

Removal procedure

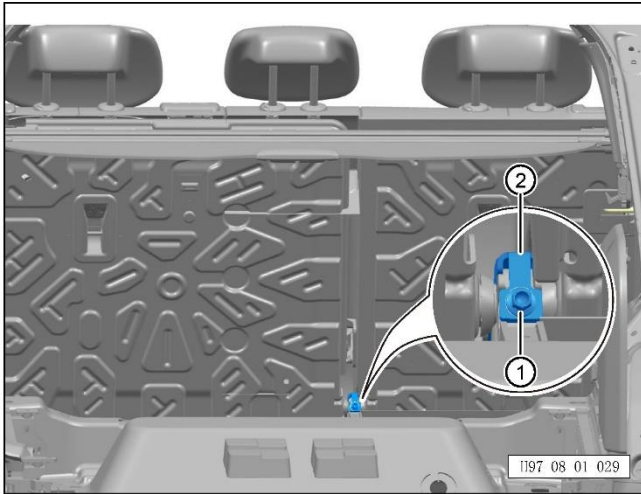
1. Remove the rear seat cushion assembly (refer to [8.1.5.1 Removal and refitting of rear seat cushion assembly](#))

2. Remove the rear right seat backrest assembly.

a. Pull the rear right seat backrest assembly lock switch ①, and flip the rear right seat backrest assembly ②.







- b. Unscrew 1 fixing bolt of the middle bracket cover plate ①. Remove the middle bracket cover plate ②.  
Tightening torque of bolt:  $20\pm 3\text{Nm}$ .

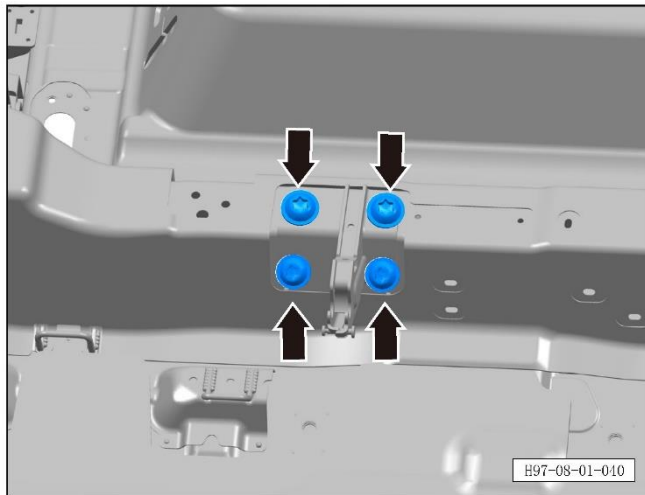
Refitting procedure

The refitting procedure is performed in reverse order.

### 8.1.6.9 Removal and refitting of middle bracket of rear seat backrest assembly

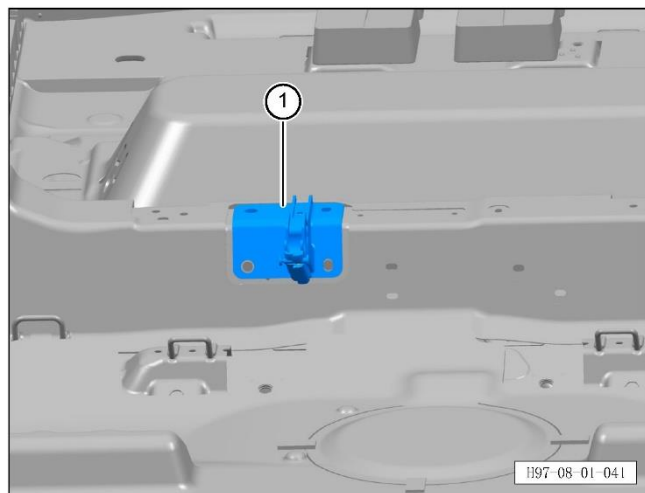
Removal procedure

1. Remove the rear seat cushion assembly (refer to [8.1.5.1 Removal and refitting of rear seat cushion assembly](#))
2. Remove the rear left seat backrest assembly (refer to [8.1.5.4 Removal and refitting of rear left seat backrest assembly](#))
3. Remove the rear right seat backrest assembly (refer to [8.1.5.5 Removal and refitting of rear right seat backrest assembly](#))
4. Remove the middle bracket cover plate (refer to [8.1.5.8 Removal and refitting of middle bracket cover plate](#))
5. Remove the middle bracket of the rear seat backrest assembly.



- a. Unscrew 4 fixing bolts of the middle bracket of the rear seat backrest assembly.

Tightening torque of bolt:  $55\pm 8\text{Nm}$ .



- b. Take out the middle bracket of the rear seat backrest assembly ①.

Refitting procedure

The refitting procedure is performed in reverse order.

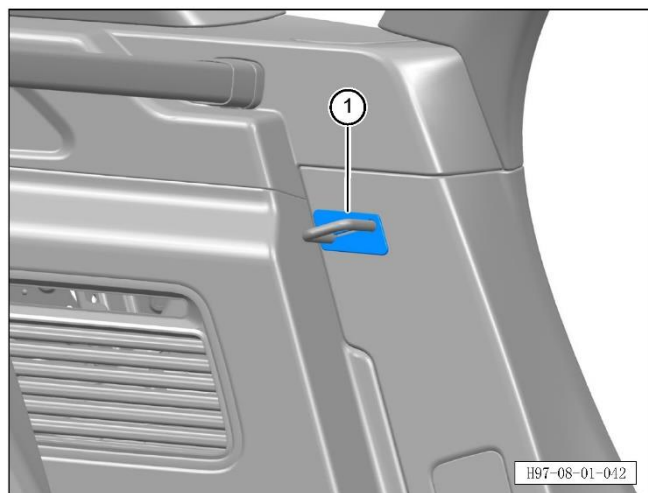
### 8.1.6.10 Removal and refitting of lock pin of rear seat backrest assembly

Removal procedure

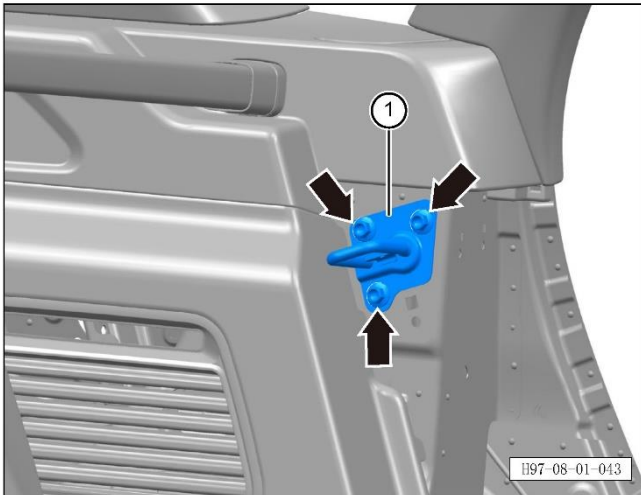
Note:

- The following is the removal and refitting of the locking pin of the left rear seat backrest, which can be referred to for the operations on the right side.

1. Remove the rear seat cushion assembly (refer to [8.1.5.1 Removal and refitting of rear seat cushion assembly](#))
2. Remove the rear left seat backrest assembly (refer to [8.1.5.4 Removal and refitting of rear left seat backrest assembly](#))
3. Remove the rear right seat backrest assembly (refer to [8.1.5.5 Removal and refitting of rear right seat backrest assembly](#))
4. Remove left C-pillar lower guard plate assembly (refer to [8.5.5.6 Removal and refitting of C-pillar lower fender assembly](#))
5. Remove the fixing lock pin of the left rear seat backrest assembly.



- a. Remove the seat backrest hook left trim ①.



b. Unscrew the 3 fixing bolts of the middle bracket of the rear seat backrest assembly, and remove the fixing lock pin of the rear seat backrest assembly (left) ①.

Tightening torque of bolt:  $55\pm 8\text{Nm}$ .

Refitting procedure

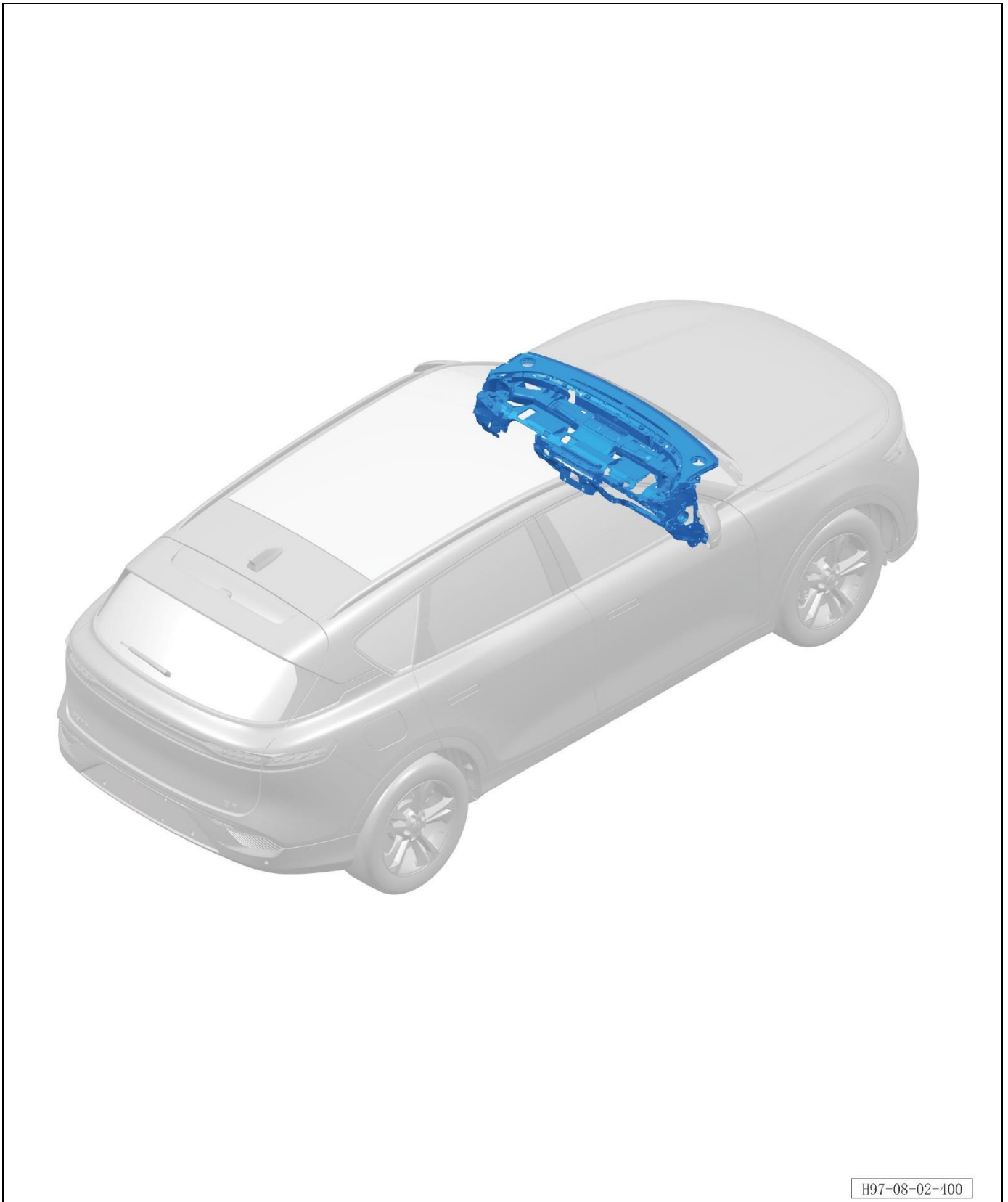
The refitting procedure is performed in reverse order.

## 8.2 Instrument panel

### 8.2.1 Precautions

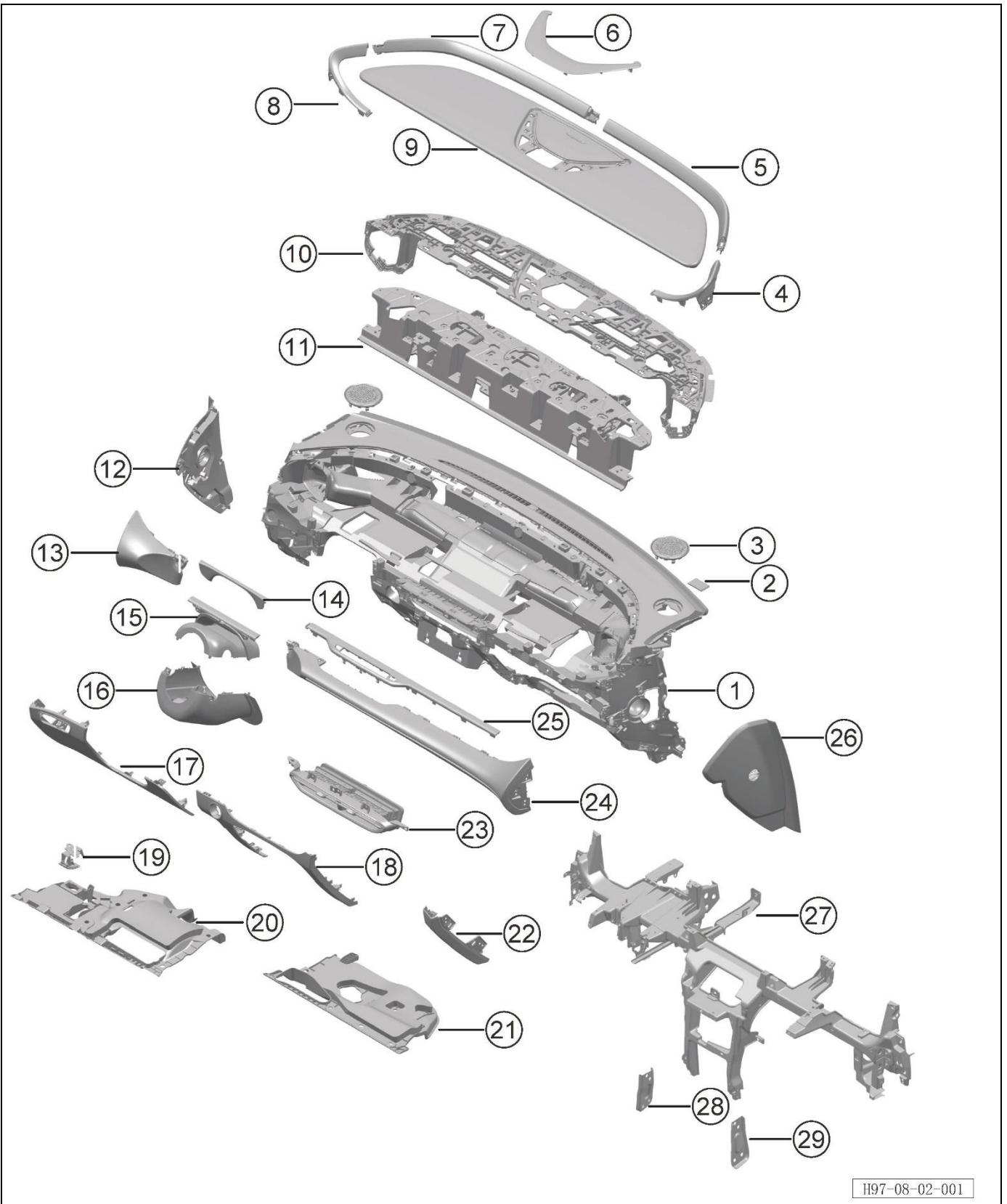
- Power off: be sure to set the ignition switch in OFF position in advance and then disconnect the battery negative cable when replacing the components on the instrument panel or removing the instrument panel assembly.
- Electrostatic grounding: be sure to connect a ground wire to the body, so as to transfer the electrostatic charge to the ground when servicing the instrument panel, regardless of this operation is performed on the car or platform.
- Preserve of components: the spare components for instrument panel shall be preserved in nickel-plated packing bags and shall be taken out during refitting rather than any time before that. Do not touch the conductive contact during the above operation.
- Cover the instrument panel with protective cover after taking it down to protect it from being scratched.
- Be sure to place the airbag upward when servicing and removing the airbag.
- Be sure to do self-diagnosis to thoroughly check if the airbag system functions normally when replacing any airbag components.
- After the airbag deploys, the damaged front instrument panel assembly must be replaced.
- Never use electrical equipment to preform circuit test on any airbag system component.
- Check the fixing clips for damage and replace them if necessary when servicing and removing the trims.

**8.2.2 Position diagram of parts**



H97-08-02-100

8.2.3 Exploded view



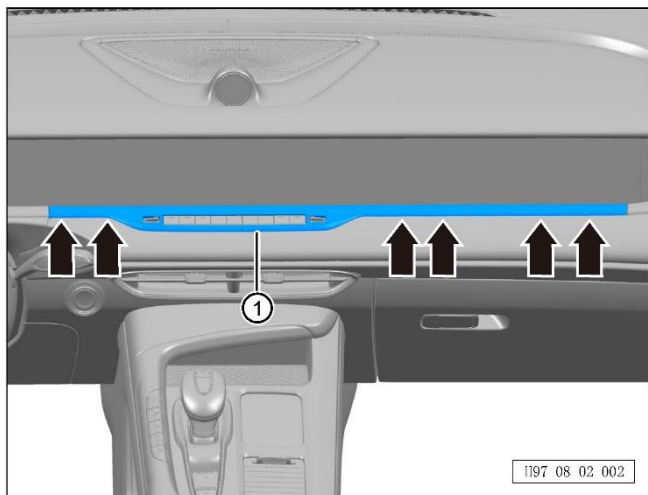
S/N	Part name	Loading quantity	Remarks
1	Instrument panel assembly	1	
2	Instrument panel front felt	5	
3	Tweeter cover assembly	2	
4	Right trim strip	1	
5	Right front trim strip	1	
6	Screen upper cover plate trim strip	1	
7	Left front trim strip	1	
8	Left trim strip	1	
9	Screen upper cover plate assembly	1	
10	Screen upper cover plate frame assembly	1	
11	Display lifting mechanism	1	
12	Instrument panel left end cover assembly	1	
13	Left trim panel assembly	1	
14	Curtain panel	1	
15	Steering column upper shield assembly	1	
16	Steering column lower shield assembly	1	
17	Lower left protective plate assembly	1	
18	Middle protective plate assembly	1	
19	Engine hood release cable handle assembly	1	
20	Instrument panel left lower bottom plate assembly	1	
21	Instrument panel right lower bottom plate assembly	1	
22	Glove box right trim	1	
23	Central air vent assembly	1	
24	Right trim panel assembly	1	
25	Rear trim strip assembly	1	
26	Instrument panel right end cover assembly	1	
27	CCB	1	
28	Left CCB connecting bracket	1	
29	Right CCB connecting bracket	1	



## 8.2.4 Removal and refitting of instrument panel

### 8.2.4.1 Removal and refitting of rear trim strip assembly

Removal procedure



1. Remove the instrument panel trim strip (refer to [8.2.4.2 Removal and refitting of instrument panel trim strip](#))

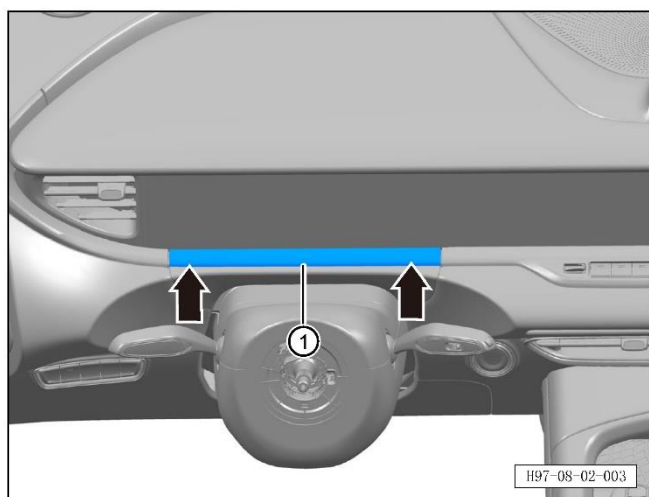
2. Disengage 6 fixing clips of the rear trim strip assembly, and take out the rear trim strip assembly ①.

Refitting procedure

The refitting procedure is performed in reverse order.

### 8.2.4.2 Removal and refitting of instrument panel trim strip

Removal procedure



1. Disengage 2 fixing clips of the instrument panel trim strip, and take out the instrument panel trim strip ①.

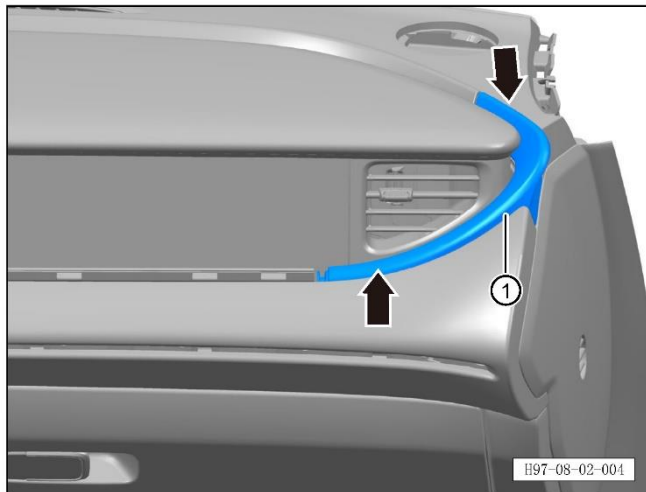
Refitting procedure

The refitting procedure is performed in reverse order.

### 8.2.4.3 Removal and refitting of right trim strip assembly

Removal procedure

1. Remove the rear trim assembly (refer to [8.2.4.1 Remove and refitting of rear trim strip](#))
2. Disengage 2 fixing clips of the right trim strip, and take out the right trim strip ①.



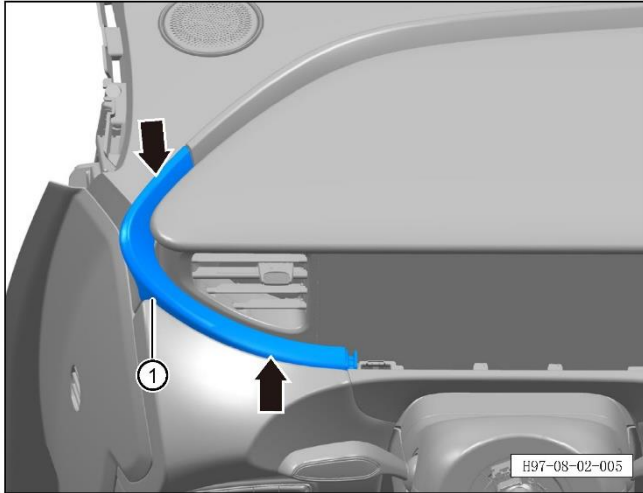
Refitting procedure

The refitting procedure is performed in reverse order.

#### 8.2.4.4 Removal and refitting of left side trim strip assembly

Removal procedure

1. Remove the combined instrument panel trim strip assembly (refer to [8.2.4.2 Removal and refitting of combined instrument panel trim strip](#))
2. Disengage 2 fixing clips of the left trim strip assembly, and take out the left trim strip assembly ①.



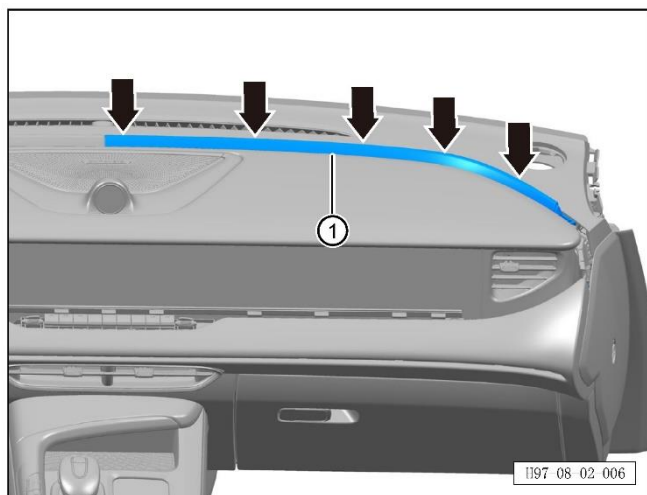
Refitting procedure

The refitting procedure is performed in reverse order.

### 8.2.4.5 Removal and refitting of right front trim strip

Removal procedure

1. Remove the rear side trim assembly (refer to [8.2.4.1 Removal and refitting of rear trim strips](#))
2. Remove the right trim strip assembly (refer to [8.2.4.3 Removal and refitting of right trim assembly](#))
3. Disengage 5 fixing clips of the right front trim strip, and take out the right front trim strip ①.



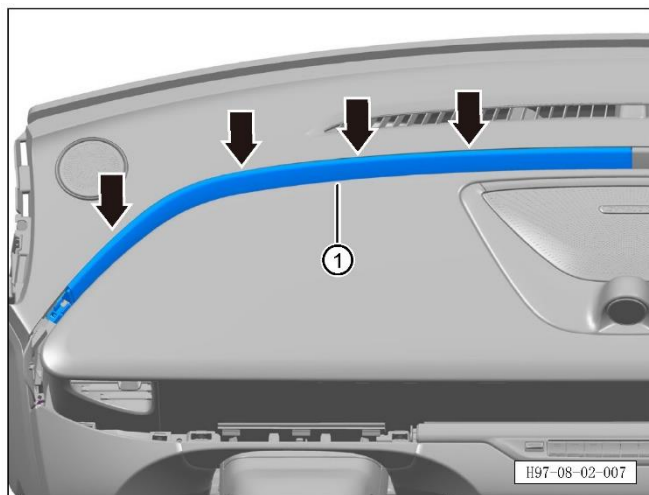
Refitting procedure

The refitting procedure is performed in reverse order.

### 8.2.4.6 Removal and refitting of left front trim strip

Removal procedure

1. Remove the instrument panel trim strip assembly (refer to [8.2.4.2 Removal and refitting of instrument panel trim strip](#))
2. Remove the left trim strip assembly (refer to [8.2.4.4 Removal and refitting of left trim strip assembly](#))
3. Disengage 4 fixing clips of the left front trim strip, and take out the left front trim strip ①.



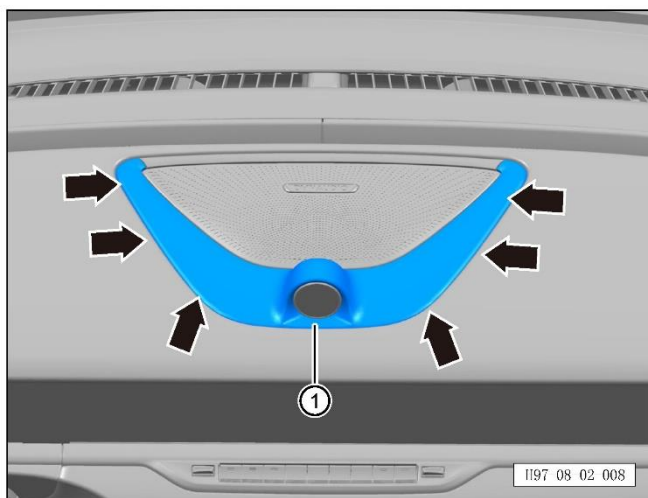
Refitting procedure

The refitting procedure is performed in reverse order.

### 8.2.4.7 Removal and refitting of camera mount

#### Removal procedure

1. Disengage 6 fixing clips of the camera mount, and take out the camera mount ①.



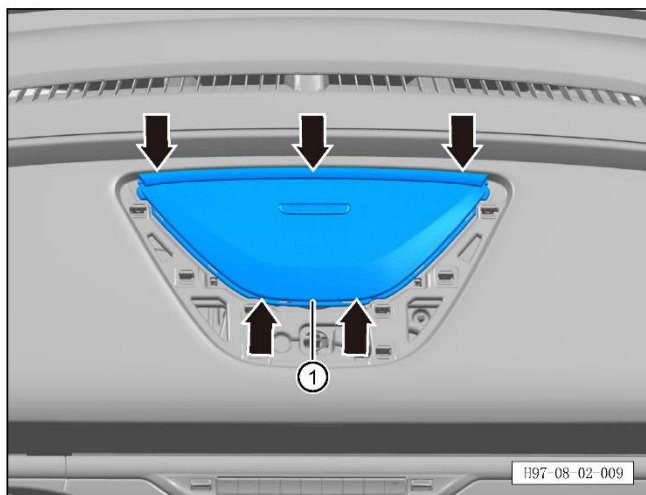
#### Refitting procedure

The refitting procedure is performed in reverse order.

### 8.2.4.8 Removal and refitting of horn cover assembly

#### Removal procedure

1. Remove the camera mount (refer to [8.2.4.7 Removal and refitting of camera mount](#))
2. Disengage 5 fixing clips of the horn cover, and take out the horn assembly ①.



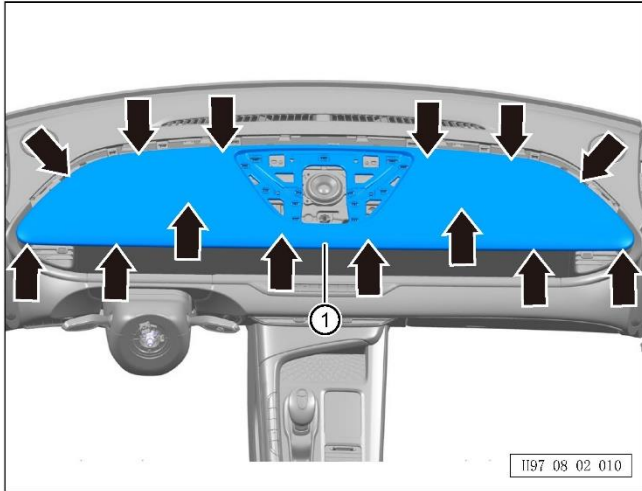
#### Refitting procedure

The refitting procedure is performed in reverse order.

### 8.2.4.9 Removal and refitting of screen upper cover plate body

Removal procedure

1. Remove the horn cover assembly (refer to [8.2.4.8 Removal and refitting of horn cover assembly](#))
2. Disengage 14 fixing clips of the upper screen cover plate body, and take out the upper screen cover body ①.



Refitting procedure

The refitting procedure is performed in reverse order.

### 8.2.4.10 Removal and refitting of side air vent assembly

Removal procedure

Note:

- The following is the removal and refitting of the left air vent assembly, which can be referred to for the operations on the right side.

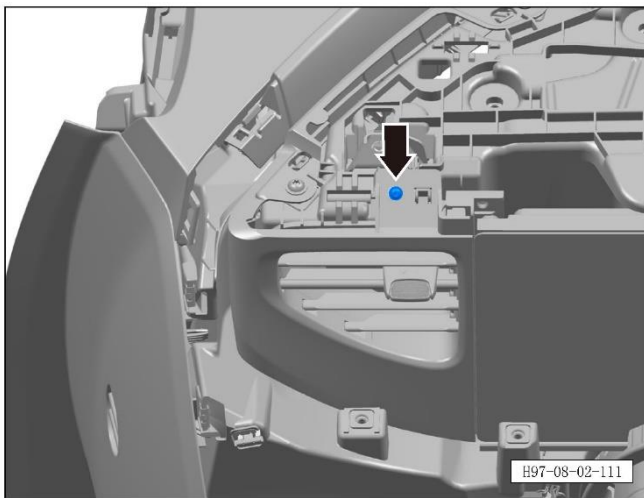
1. Remove the left trim panel assembly (refer to [8.2.4.18 Removal and refitting of left trim panel assembly](#))

2. Remove and refit the screen upper cover plate body (refer to [8.2.4.9 Removal and refitting of screen upper cover plate body](#))

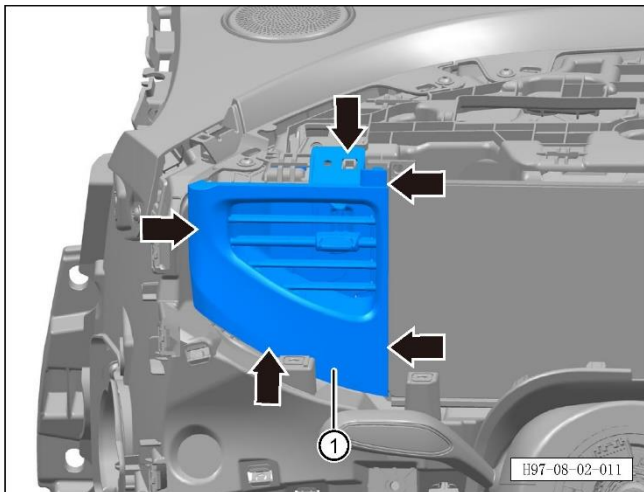
3. Remove the left air vent assembly.

a. Unscrew 1 fixing screw of the left air vent assembly.

Tightening torque of screw:  $2\pm 0.5\text{Nm}$ .



b. Disengage 5 fixing clips of the left air vent assembly, and take out the left air vent assembly ①.



Refitting procedure

The refitting procedure is performed in reverse order.



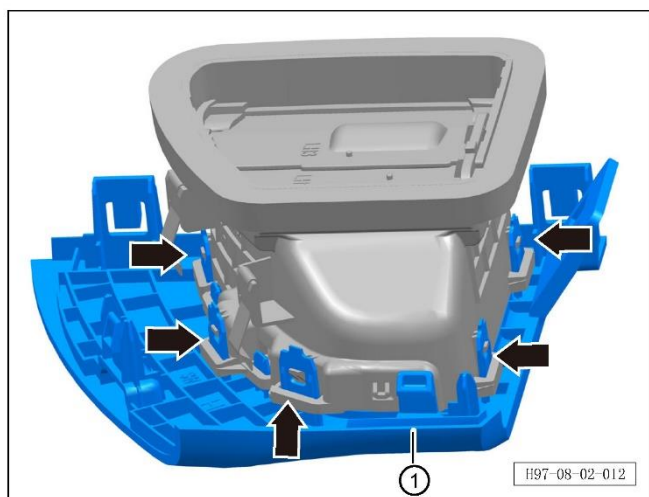
### 8.2.4.11 Removal and refitting of side air vent panel

Removal procedure

Note:

- The following is the removal and refitting of the left air vent panel, which can be referred to for the operations on the right side.

1. Remove the left air vent assembly (refer to [8.2.4.10 Removal and refitting of side air vent assembly](#))
2. Disengage 5 fixing clips of the left air vent panel, and take out the left air vent panel ①.



Refitting procedure

The refitting procedure is performed in reverse order.

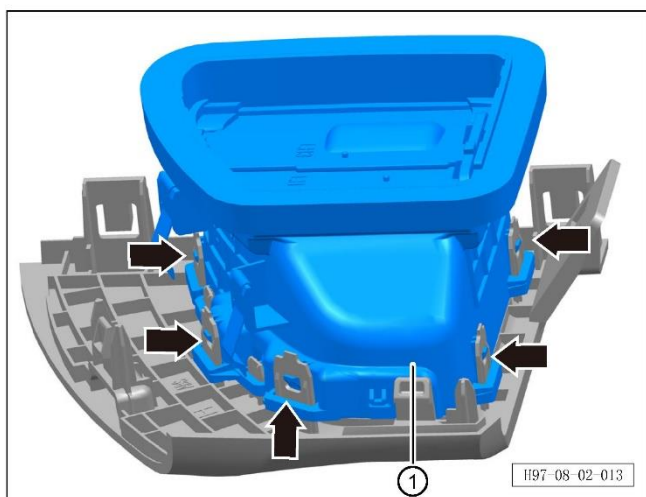
### 8.2.4.12 Removal and refitting of side air vent

Removal procedure

Note:

- The following is the removal and refitting of the left air vent, which can be referred to for the operations on the right side.

1. Remove the left air vent assembly (refer to [8.2.4.10 Removal and refitting of side air vent assembly](#))
2. Disengage 5 fixing clips of the left air vent, and take out the left air vent ①.



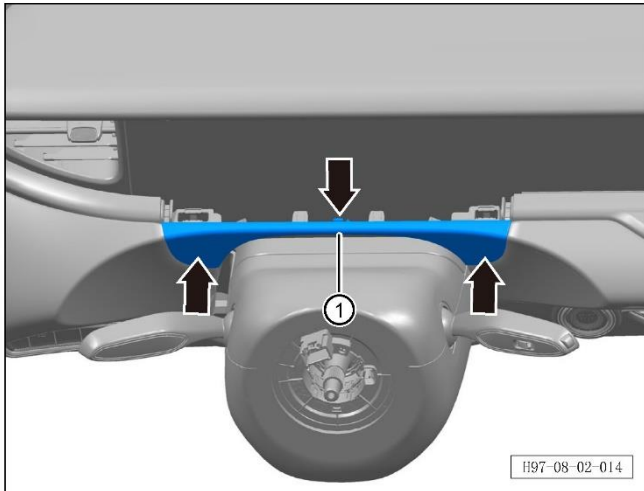
Refitting procedure

The refitting procedure is performed in reverse order.

### 8.2.4.13 Removal and refitting of curtain panel

#### Removal procedure

1. Remove the combined instrument panel trim strip assembly (refer to [8.2.4.2 Removal and refitting of combined instrument panel trim strip](#))
2. Disengage 3 fixing clips of the curtain panel, and take out the curtain panel ①.



#### Refitting procedure

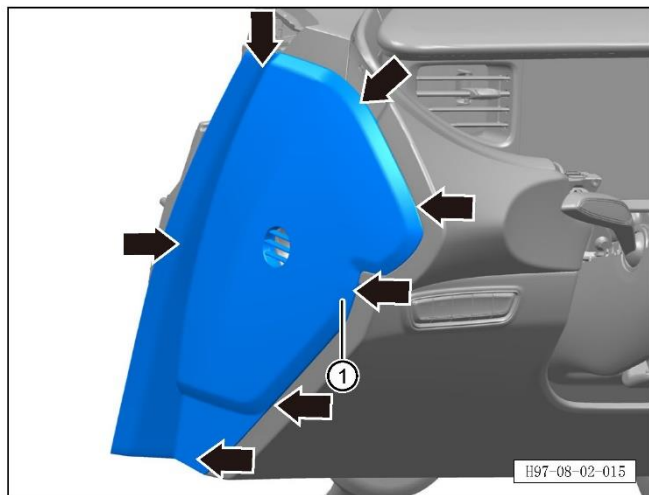
The refitting procedure is performed in reverse order.

#### 8.2.4.14 Removal and refitting of instrument panel end cover assembly

Removal procedure

Note:

- The following is the removal and refitting of the left end cover assembly, which can be referred to for the operations on the right side.



1. Disengage 7 fixing clips of the left end cover assembly, and take out the left end cover assembly ①.

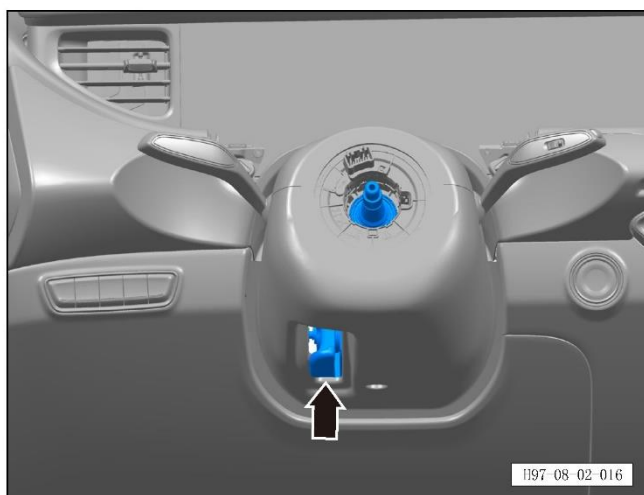
Refitting procedure

The refitting procedure is performed in reverse order.

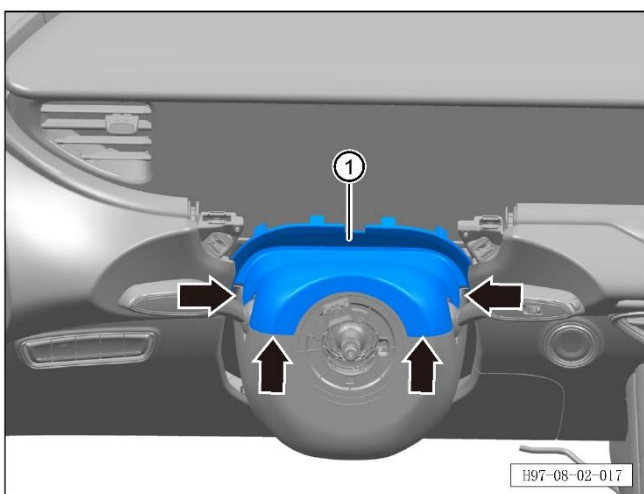
### 8.2.4.15 Removal and refitting of steering column upper shield assembly

#### Removal procedure

1. Remove the curtain panel assembly (refer to [8.2.4.13 Removal and refitting of curtain panel](#))
2. Remove the steering column upper shield assembly.



- a. Adjust the steering column to the lowest position.



- b. Disengage 4 fixing clips of the steering column upper shield assembly, and take out the steering column upper shield assembly ①.

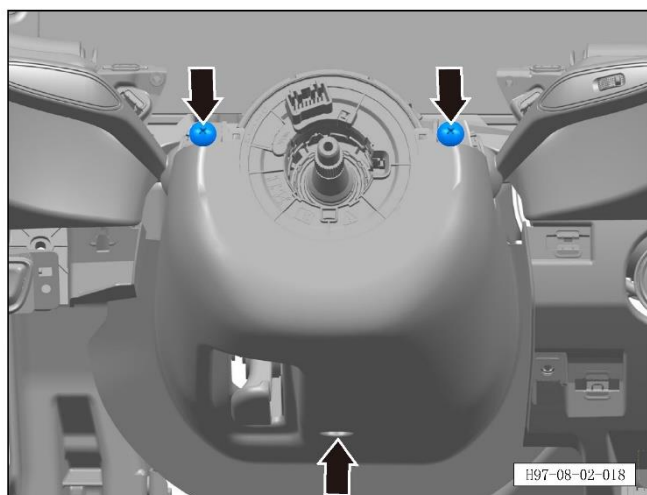
#### Refitting procedure

The refitting procedure is performed in reverse order.

### 8.2.4.16 Removal and refitting of steering column lower shield assembly

Removal procedure

1. Remove the steering column upper shield assembly (refer to [8.2.4.15 Removal and refitting of steering column upper shield assembly](#))
2. Remove the steering column lower shield assembly.



- a. Unscrew 3 fixing screws of the steering column lower shield.

Tightening torque of screw:  $2\pm 0.5\text{Nm}$ .



- b. Remove the steering column lower shield ①.

Refitting procedure

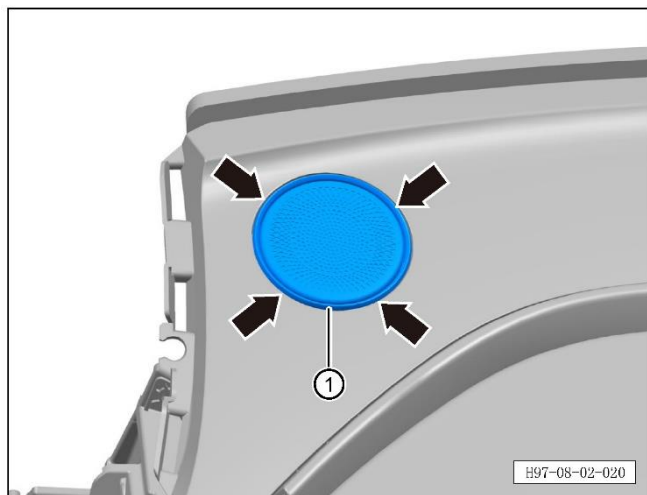
The refitting procedure is performed in reverse order.

### 8.2.4.17 Removal and refitting of tweeter cover assembly

Removal procedure

Note:

- The following is the removal and refitting of the left tweeter cover assembly, which can be referred to for the operations on the right side.



1. Disengage 4 fixing clips of the left tweeter cover assembly, and take out the left tweeter cover assembly ①.

Refitting procedure

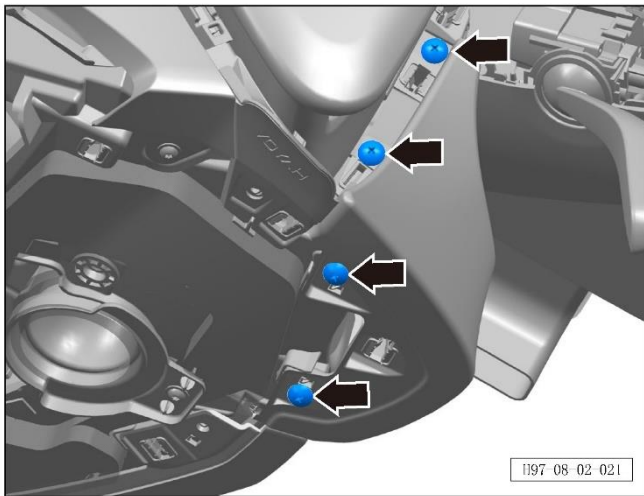
The refitting procedure is performed in reverse order.

### 8.2.4.18 Removal and refitting of left trim panel assembly

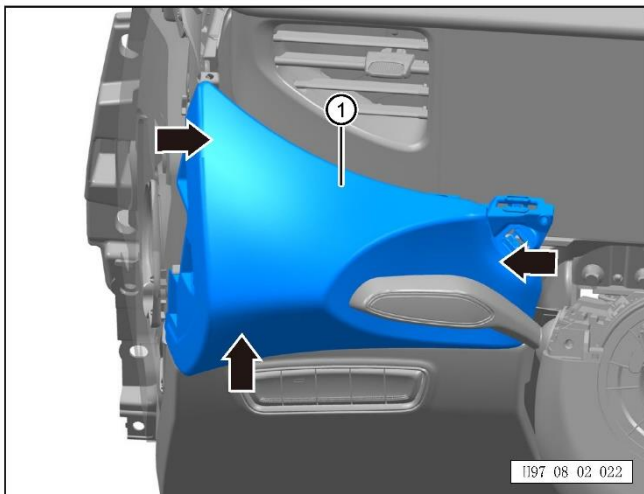
Removal procedure

1. Remove the left trim strip assembly (refer to [8.2.4.4 Removal and refitting of left trim strip assembly](#))
2. Remove the curtain panel assembly (refer to [8.2.4.13 Removal and refitting of curtain panel](#))
3. Remove the left end cover assembly (refer to [8.2.4.14 Removal and refitting of instrument panel end cover assembly](#))
4. Remove the left trim panel assembly.

- a. Unscrew 4 fixing screw of the left trim panel.  
Tightening torque of screw:  $2\pm 0.5\text{Nm}$ .



- b. Disengage 3 fixing clips of the left trim panel assembly, and take out the left trim panel assembly ①.



Refitting procedure

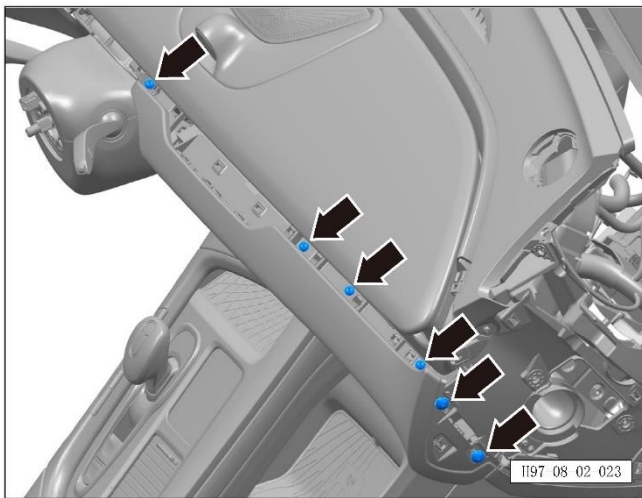
The refitting procedure is performed in reverse order.



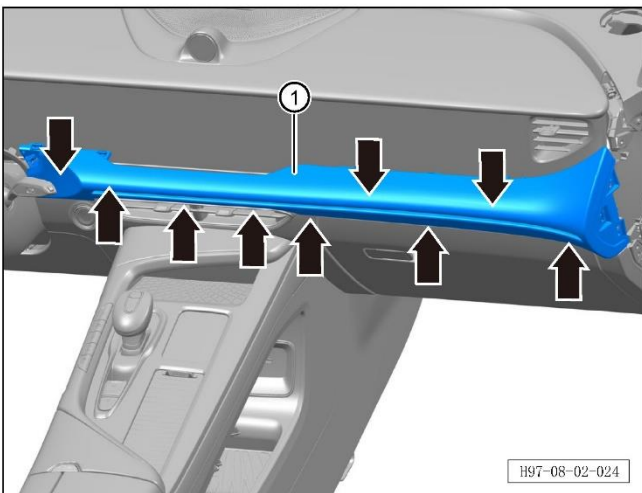
### 8.2.4.19 Removal and refitting of right trim panel assembly

Removal procedure

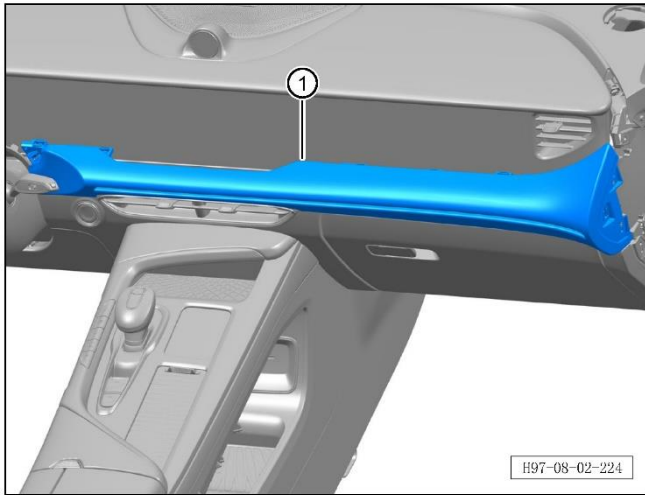
1. Remove the right trim strip assembly (refer to [8.2.4.3 Removal and refitting of right trim assembly](#))
2. Remove the curtain panel assembly (refer to [8.2.4.13 Removal and refitting of curtain panel](#))
3. Remove the automatic A/C control panel assembly (refer to [9.6.4.2 Removal and refitting of automatic A/C control panel](#))
4. Remove the right end cover assembly (refer to [8.2.4.14 Removal and refitting of instrument panel end cover assembly](#))
5. Remove the right trim panel assembly.



- a. Unscrew 6 fixing screws of the right trim panel.  
Tightening torque of screw:  $2\pm 0.5\text{Nm}$ .



- b. Disengage 9 fixing clips of the left trim panel assembly, and disconnect 2 connectors of the instrument panel ambient lamp.



c. Disconnect 2 connectors of the instrument panel ambient lamp, and take out the left trim panel assembly ①.

Refitting procedure

The refitting procedure is performed in reverse order.

### 8.2.4.20 Removal and refitting of left lower protective plate assembly

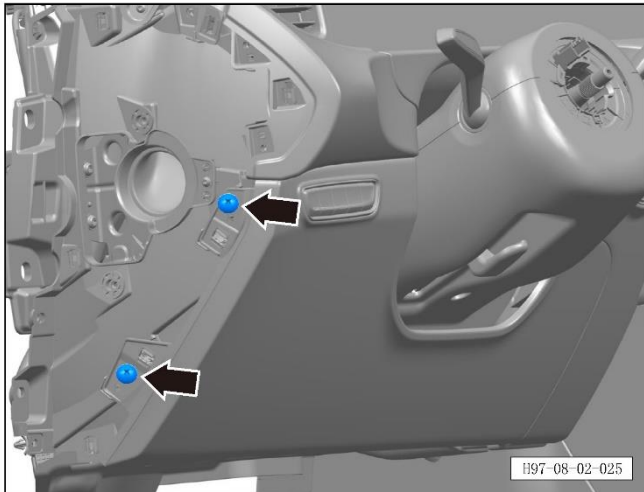
Removal procedure

1. Remove the left end cover assembly (refer to [8.2.4.14 Removal and refitting of instrument panel end cover assembly](#))

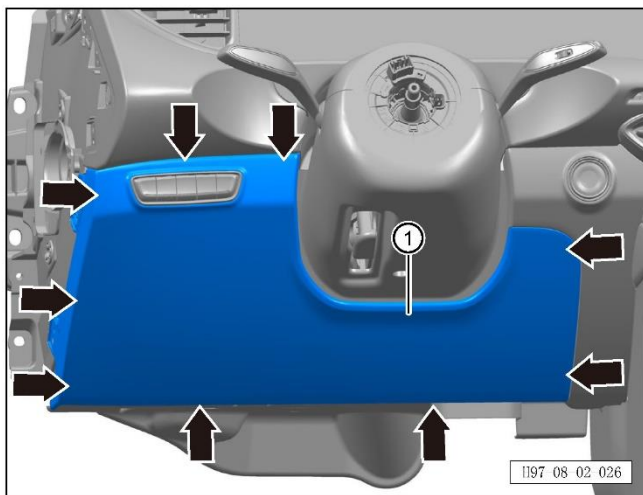
2. Remove the left lower protective plate assembly.

a. Unscrew 2 fixing screws of the left lower protective plate assembly.

Tightening torque of screw:  $2\pm 0.5\text{Nm}$ .



b. Disengage 9 fixing clips of the left lower protective plate assembly, and take out the left lower protective plate assembly ①.



Refitting procedure

The refitting procedure is performed in reverse order.

### 8.2.4.21 Removal and refitting of middle protective plate assembly

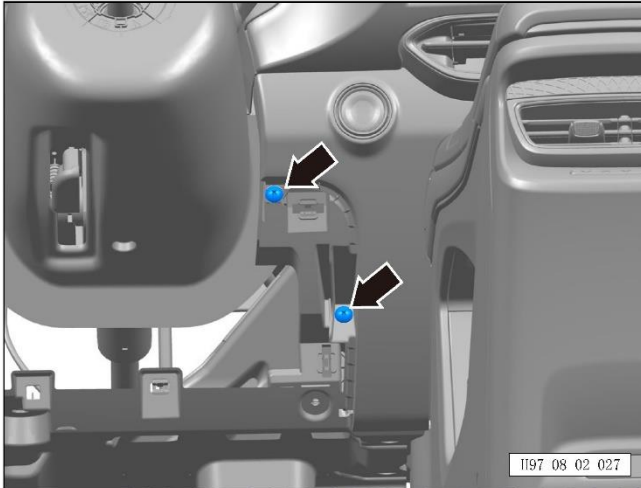
Removal procedure

1. Remove the left lower guard assembly (refer to [8.2.4.20 Removal and refitting of left lower guard assembly](#))

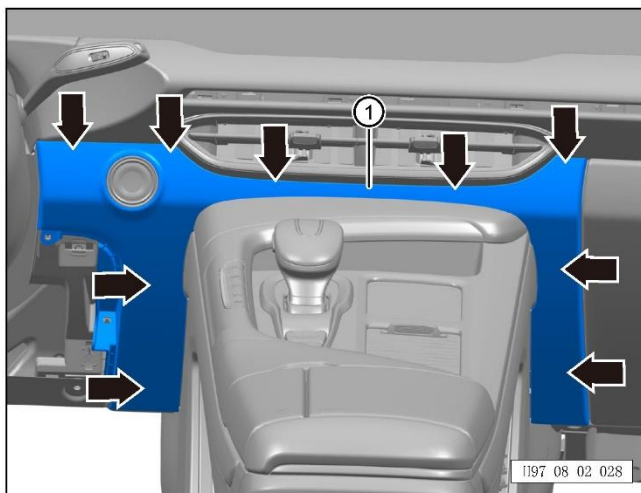
2. Remove the middle protective plate assembly.

a. Unscrew 2 fixing screws of the middle protective plate assembly.

Tightening torque of screw:  $2\pm 0.5\text{Nm}$



b. Disengage 9 fixing clips of the middle protective plate assembly, and take out the middle protective plate assembly ①.



Refitting procedure

The refitting procedure is performed in reverse order.

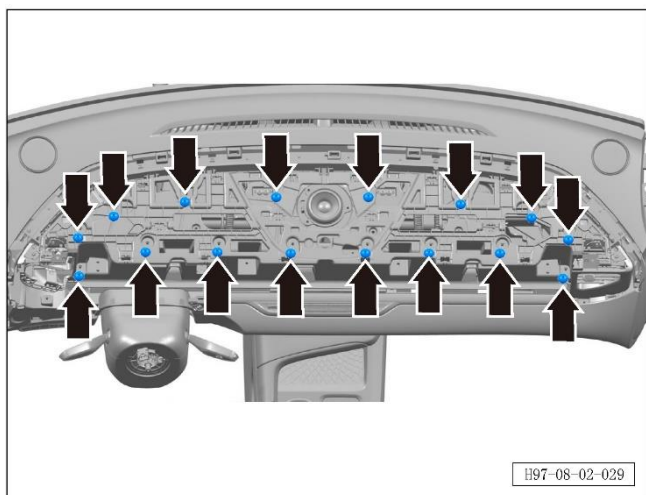
### 8.2.4.22 Removal and refitting of screen upper cover plate frame assembly

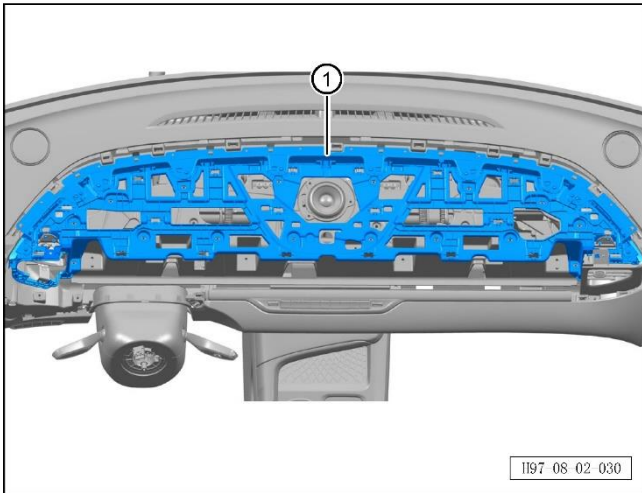
Removal procedure

1. Remove the left and right air vent assemblies (refer to [8.2.4.10 Removal and refitting of side air vent assembly](#))
2. Remove the left front trim strip (refer to [8.2.4.6 Removal and refitting of left front trim strip](#))
3. Remove the right front trim strip (refer to [8.2.4.5 Removal and refitting of right front trim strip](#))
4. Remove the screen upper cover plate body (refer to [8.2.4.9 Removal and refitting of screen upper cover plate body](#))
5. Remove the driving monitoring camera (refer to [9.8.5.2 Removal and refitting of driving monitoring camera](#))
6. Remove the screen upper cover plate frame assembly.

- a. Unscrew 16 fixing screws of the screen upper cover plate frame assembly.

Tightening torque of bolt:  $6\pm 1\text{Nm}$ .





b. Take out the screen upper cover plate frame assembly ①.

Refitting procedure

The refitting procedure is performed in reverse order.

### 8.2.4.23 Removal and refitting of screen upper cover plate frame trim

Removal procedure

Note:

- The following is the removal and refitting of the left trim of the screen upper cover plate frame, which can be referred to for the operations on the right side.

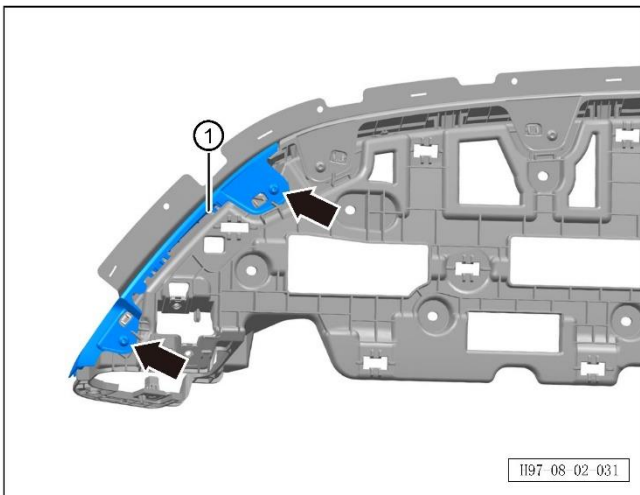
1. Remove the screen upper cover plate frame assembly (refer to [8.2.4.22 Removal and refitting of screen upper cover plate frame assembly](#))

2. Remove the screen upper cover plate frame trim.

a. Unscrew 2 fixing screws of the left trim of the screen upper cover plate frame.

Tightening torque of screw:  $2\pm 0.5\text{Nm}$ .

b. Remove the left trim of the screen upper cover plate frame ①.



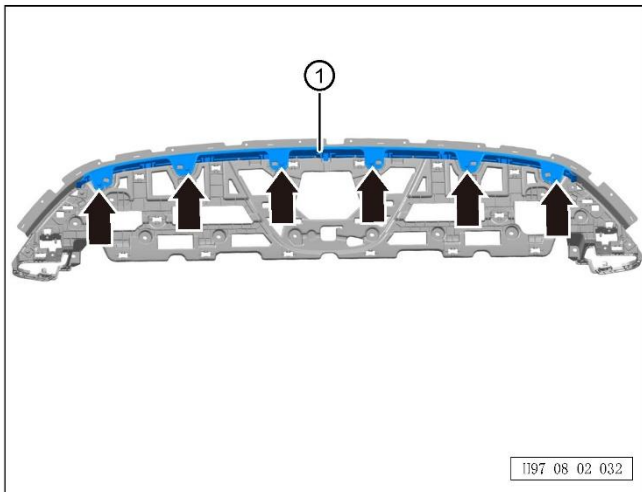
Refitting procedure

The refitting procedure is performed in reverse order.

#### 8.2.4.24 Removal and refitting of screen upper cover plate frame trim assembly

Removal procedure

1. Remove the screen upper cover plate frame assembly (refer to [8.2.4.22 Removal and refitting of screen upper cover plate frame assembly](#))
2. Remove the left and right trims of the screen upper cover plate frame (refer to [8.2.4.23 Removal and refitting of screen upper cover plate frame trim](#))
3. Remove the screen upper cover plate frame trim assembly.



- a. Unscrew 6 fixing screws of the screen upper cover plate frame trim assembly.

Tightening torque of screw:  $2\pm 0.5\text{Nm}$ .

- b. Take out the screen upper cover plate frame trim assembly ①.

Refitting procedure

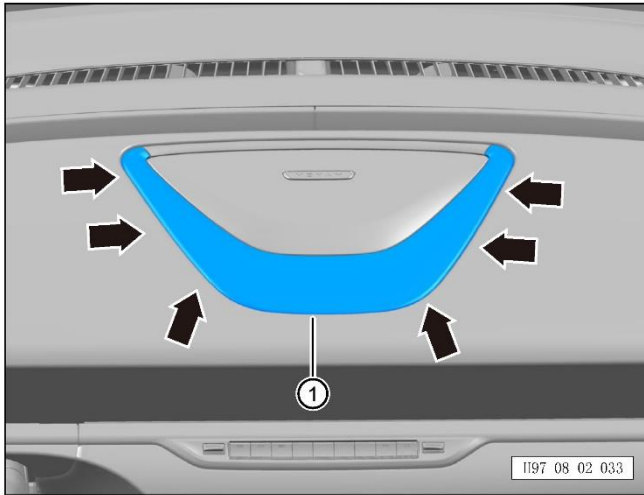
The refitting procedure is performed in reverse order.



### 8.2.4.25 Removal and refitting of screen upper cover plate trim

Removal procedure

1. Remove the screen upper cover plate trim.
  - a. Disengage 6 fixing screws of the screen upper cover plate trim.
  - b. Take out the screen upper cover plate trim ①.



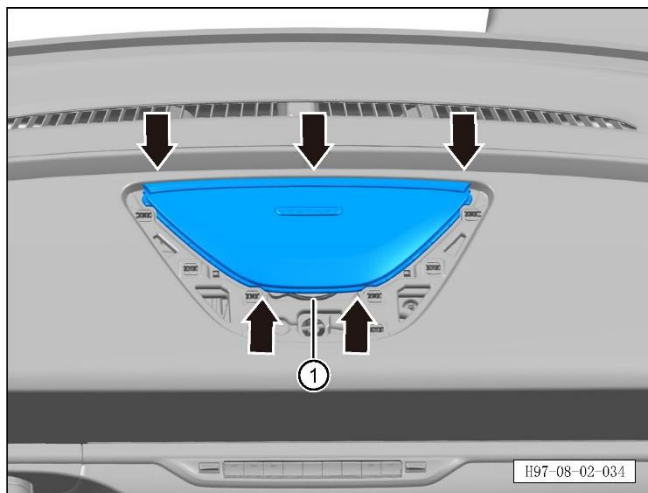
Refitting procedure

The refitting procedure is performed in reverse order.

**8.2.4.26 Removal and refitting of central trim panel**

Removal procedure

1. Remove the screen upper cover plate trim (refer to [8.2.4.25 Removal and refitting of screen upper cover plate trim](#))
2. Remove the central trim panel.
  - a. Disengage 5 fixing clips of the central trim panel.
  - b. Take out the central trim panel ①.



Refitting procedure

The refitting procedure is performed in reverse order.

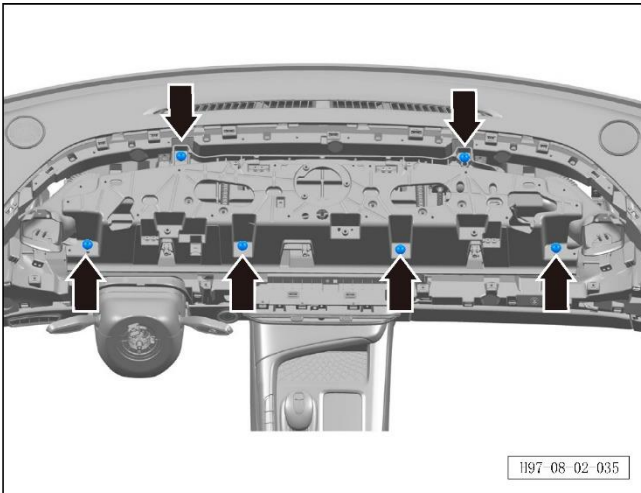
### 8.2.4.27 Removal and refitting of display lifting mechanism body

Removal procedure

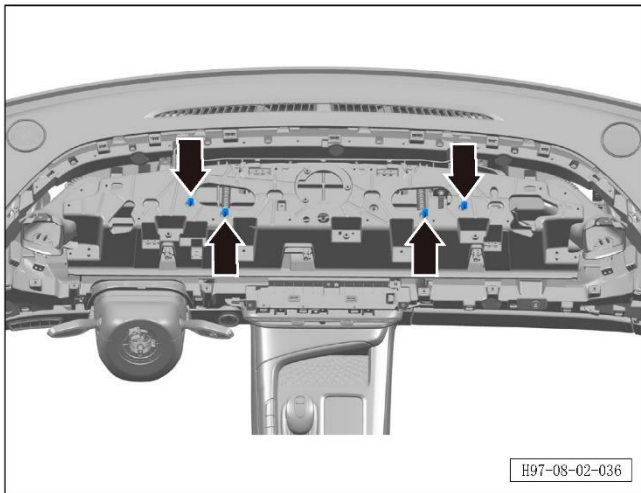
1. Remove the screen upper cover plate frame assembly (refer to [8.2.4.22 Removal and refitting of screen upper cover plate frame assembly](#))
2. Remove the multimedia display (refer to [9.1.4.1 Removal and refitting of multimedia display](#))
3. Remove the display lifting mechanism body.

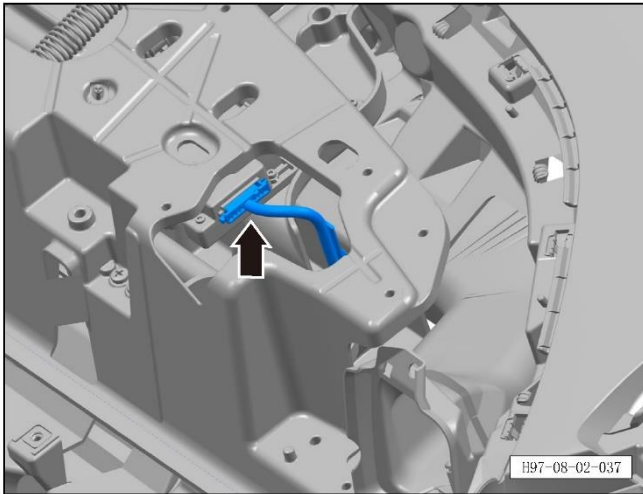
a. Unscrew 6 fixing bolts of the display lifting mechanism body.

Tightening torque of bolt:  $6\pm 1\text{Nm}$ .

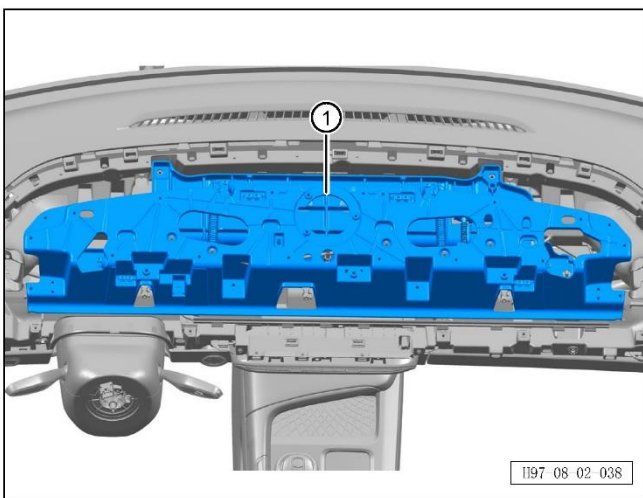


b. Disengage 4 harness fixing clips of the display lifting mechanism body.





c. Disconnect the connector of the display lifting controller. Take out the display lifting mechanism body.



d. Take out the display lifting mechanism body ①.

Refitting procedure

The refitting procedure is performed in reverse order.

### 8.2.4.28 Removal and refitting of display lifting mechanism

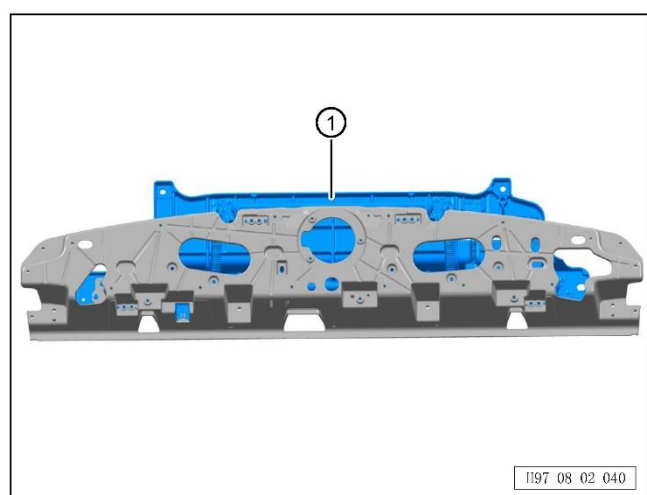
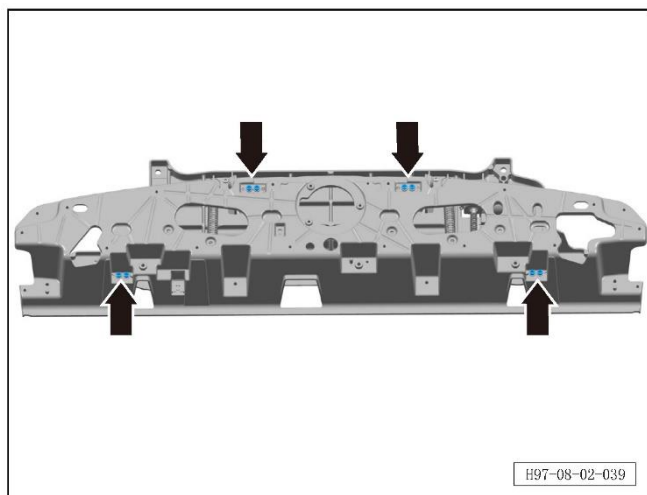
Removal procedure

1. Remove the display lifting mechanism body (refer to [8.2.4.27 Removal and refitting of display lifting mechanism body](#))

2. Remove the display lifting mechanism.

a. Unscrew 8 fixing screws of the display lifting mechanism body.

Tightening torque of screw:  $6\pm 1\text{Nm}$



b. Take out the display lifting mechanism ①.

Refitting procedure

The refitting procedure is performed in reverse order.

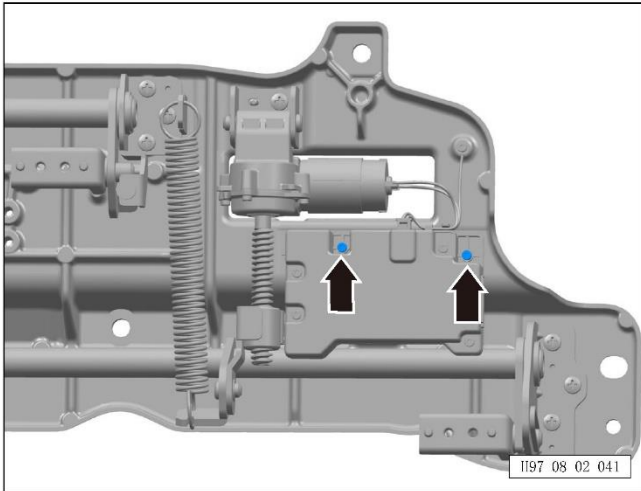
### 8.2.4.29 Removal and refitting of display lifting controller

Removal procedure

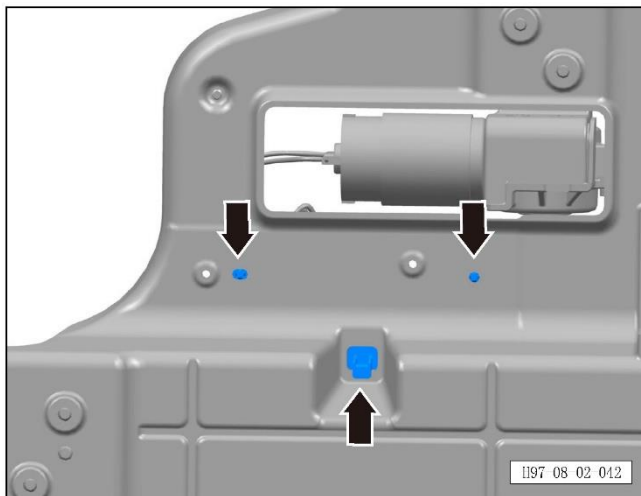
1. Remove the display lifting mechanism body (refer to [8.2.4.27 Removal and refitting of display lifting mechanism body](#))
2. Remove the display lifting mechanism (refer to [8.2.4.28 Removal and refitting of display lifting mechanism](#))
3. Remove the display lifting controller.

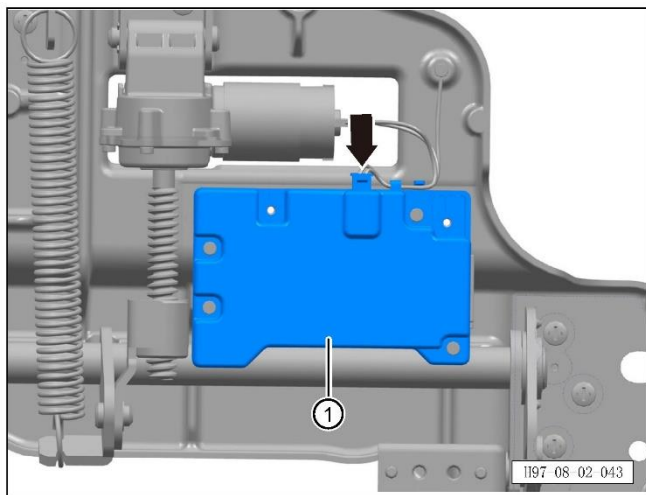
a. Unscrew 2 fixing screws of the display lifting controller.

Tightening torque of screw:  $2\pm 0.5\text{Nm}$ .



b. Remove 3 fixing clips of the display lifting controller.





- c. Disconnect the connector of the display lifting motor. Take out the display lifting controller ①.

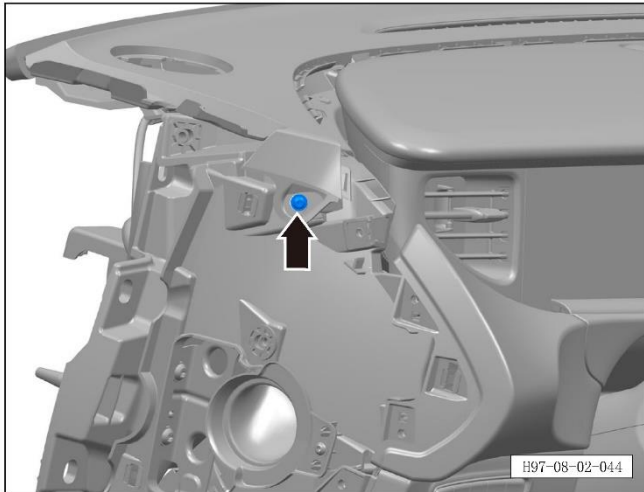
#### Refitting procedure

The refitting procedure is performed in reverse order.

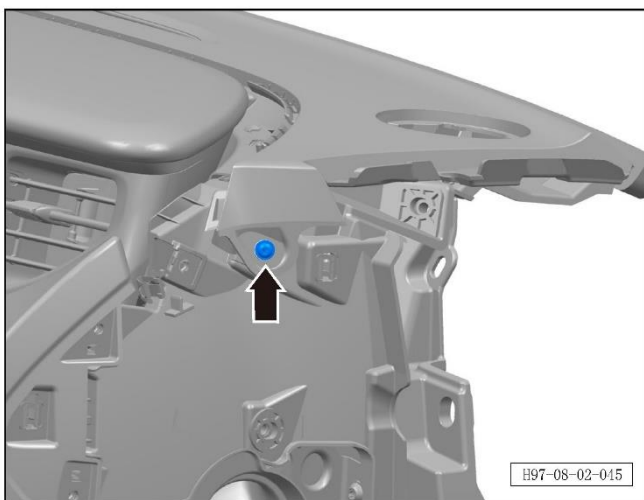
#### 8.2.4.30 Removal and refitting of front defroster cover plate assembly

##### Removal procedure

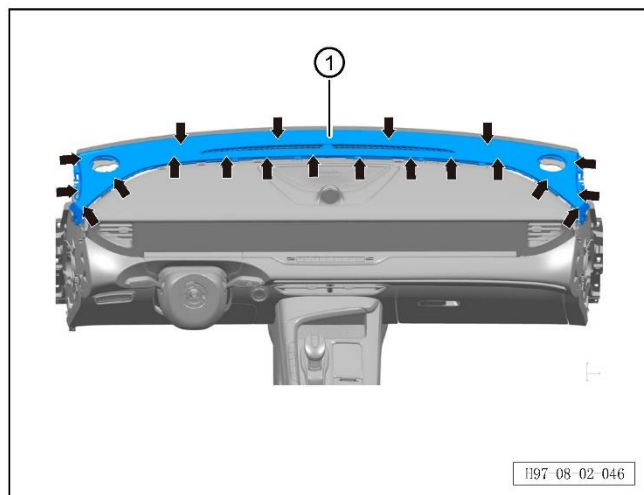
1. Remove the left front trim strip assembly (refer to [8.2.4.6 Removal and refitting of left front trim strip assembly](#))
2. Remove the right front trim strip assembly (refer to [8.2.4.5 Removal and refitting of right front trim strip assembly](#))
3. Remove the tweeter cover assembly (refer to [8.2.4.17 Removal and refitting of tweeter cover assembly](#))
4. Remove the instrument panel left and right end cover assemblies (refer to [8.2.4.14 Removal and refitting of instrument panel end cover assembly](#))
5. Remove the front defroster cover plate assembly.



- a. Unscrew 1 fixing screw on the left side of the front defroster cover plate assembly.  
Tightening torque of screw:  $2\pm 0.5\text{Nm}$ .



- b. Unscrew 1 fixing screw on the right side of the front defroster cover plate assembly.  
Tightening torque of screw:  $2\pm 0.5\text{Nm}$ .



- c. Disengage 20 fixing clips of the front defroster cover plate assembly, and take out the front defroster cover plate assembly ①.

Refitting procedure

The refitting procedure is performed in reverse order.

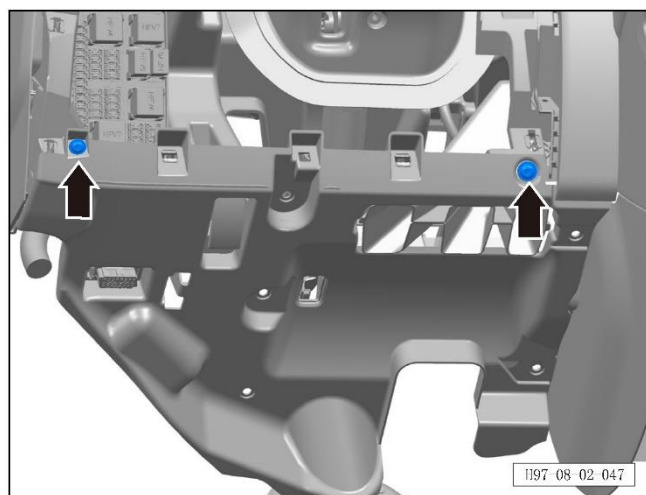


### 8.2.4.31 Removal and refitting of instrument panel left lower bottom plate assembly

Removal procedure

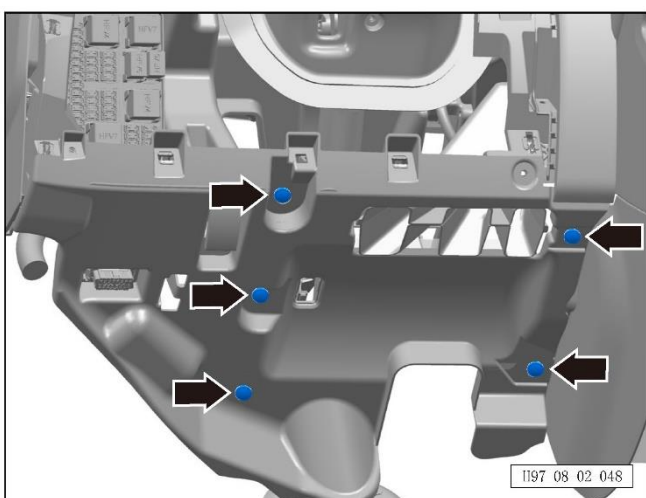
1. Remove the left lower guard assembly (refer to [8.2.4.20 Removal and refitting of left lower guard assembly](#))

2. Remove the instrument panel left lower bottom plate assembly.

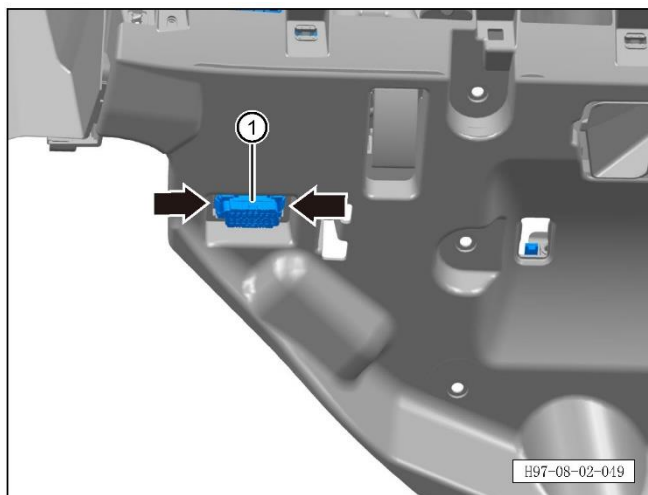


a. Unscrew 2 fixing screws of the instrument panel left lower bottom plate assembly.

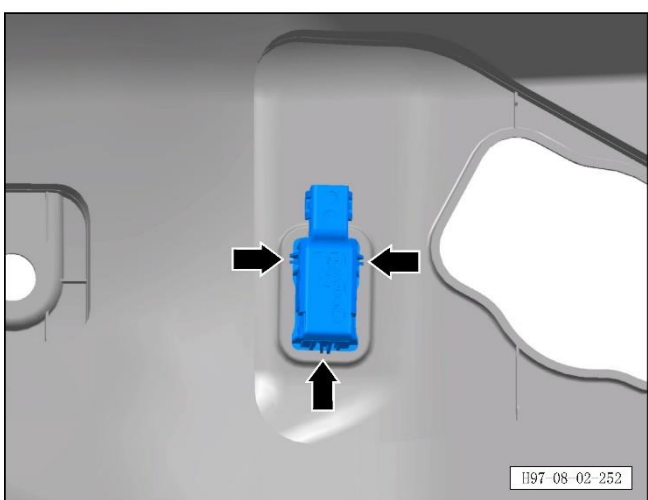
Tightening torque of screw:  $2\pm 0.5\text{Nm}$ .



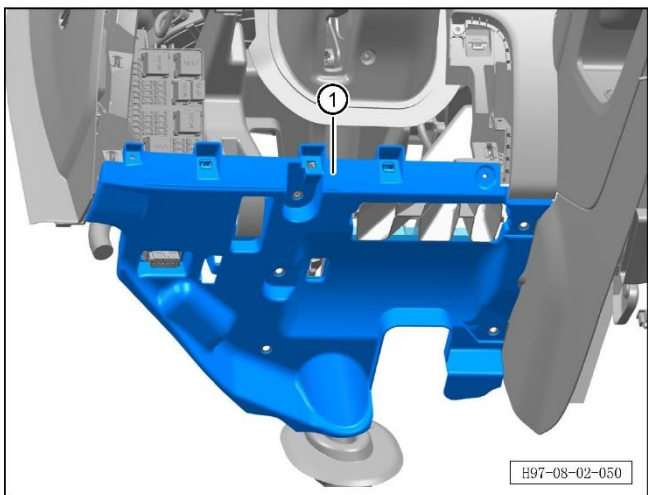
b. Disengage 5 snap fasteners of the instrument panel left lower bottom plate assembly.



- c. Press the fixing clip of the OBD DLC.
- d. Remove the OBD DLC ①.



- e. Disconnect the connector and disengage the 3 fixing clips of the light source.



- f. Remove the instrument panel left lower bottom plate assembly ①.

Refitting procedure

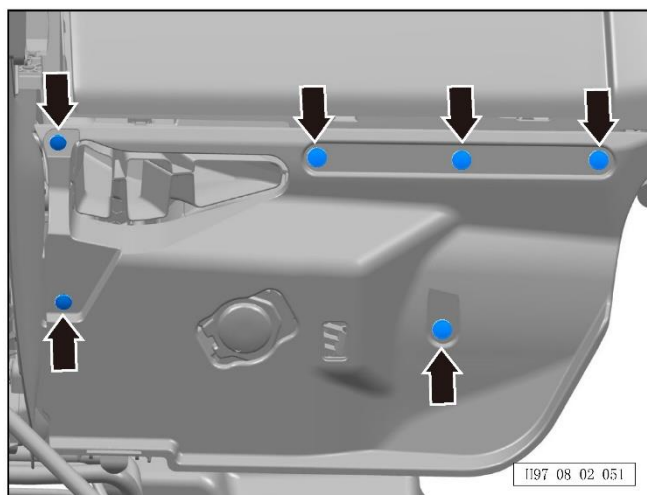
The refitting procedure is performed in reverse order.

### 8.2.4.32 Removal and refitting of instrument panel lower right bottom plate assembly

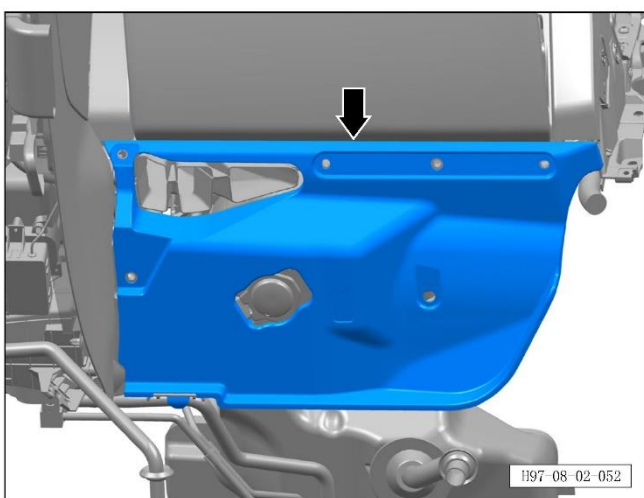
Removal procedure

1. Remove the middle protective plate assembly (refer to [8.2.4.21 Removal and refitting of middle protective plate assembly](#))

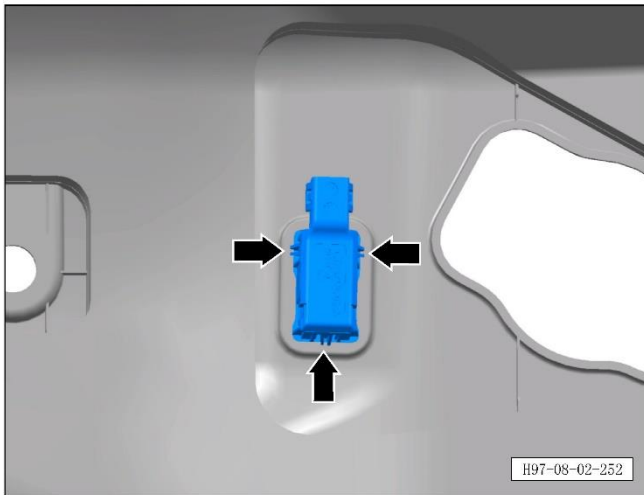
2. Remove the instrument panel right lower bottom plate assembly.



a. Disengage 6 snap fasteners of the instrument panel right lower bottom plate assembly.



b. Disconnect the connector of the light source, and remove the instrument panel right lower bottom plate assembly and the light source.



c. Disengage 3 fixing clips of the light source, and take out the instrument panel right lower bottom plate assembly.

Refitting procedure

The refitting procedure is performed in reverse order.

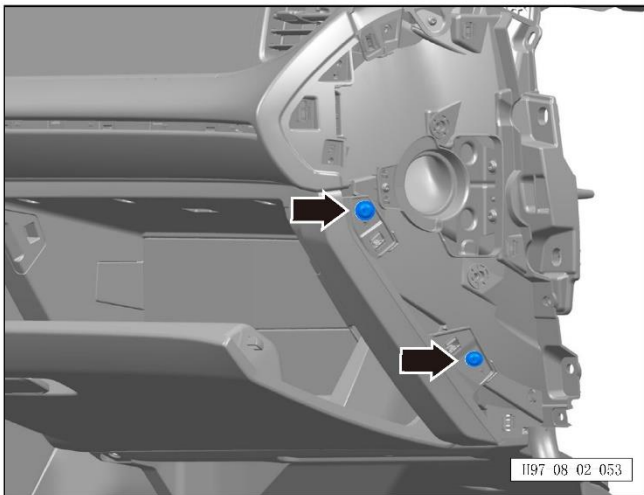
### 8.2.4.33 Removal and refitting of glove box right trim

#### Removal procedure

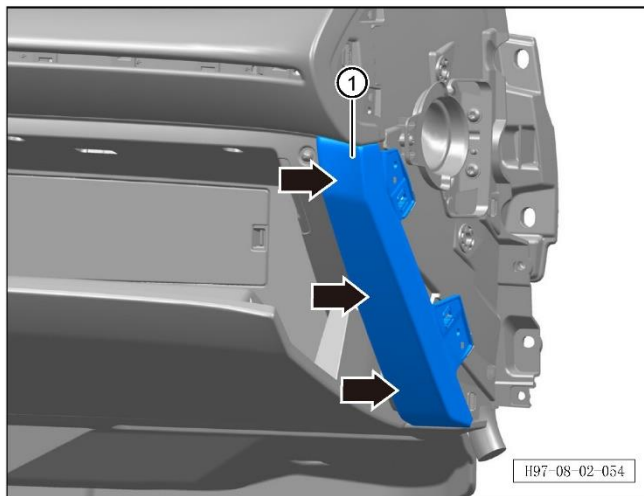
1. Remove the instrument panel right end cover assembly (refer to [8.2.4.14 Removal and refitting of instrument panel end cover assembly](#))

2. Remove the instrument panel left lower bottom plate assembly.

a. Unscrew 2 fixing screws of the glove box right trim.  
Tightening torque of screw:  $2\pm 0.5\text{Nm}$



b. Disengage 3 fixing clips of the glove box right trim, and take out the front defroster cover plate assembly ①.



#### Refitting procedure

The refitting procedure is performed in reverse order.

### 8.2.4.34 Removal and refitting of glove box assembly

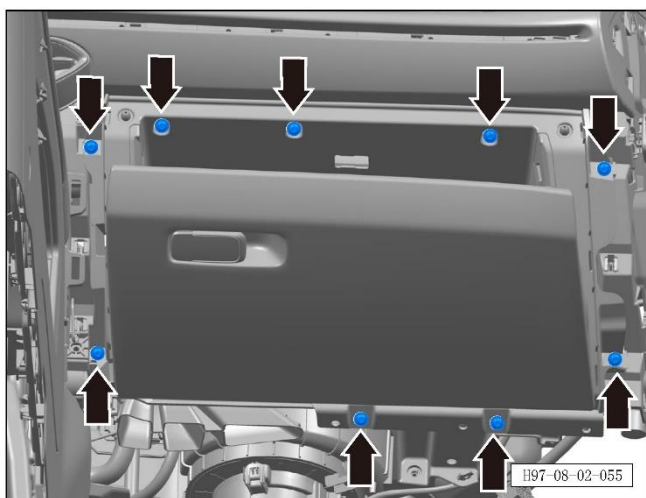
Removal procedure

1. Remove the glove box right trim (refer to [8.2.4.33 Removal and refitting of glove box right trim](#))
2. Remove the middle protective plate assembly (refer to [8.2.4.21 Removal and refitting of middle protective plate assembly](#))
3. Remove the instrument panel right lower bottom plate assembly (refer to [8.2.4.31 Removal and refitting of instrument panel right lower bottom plate assembly](#))

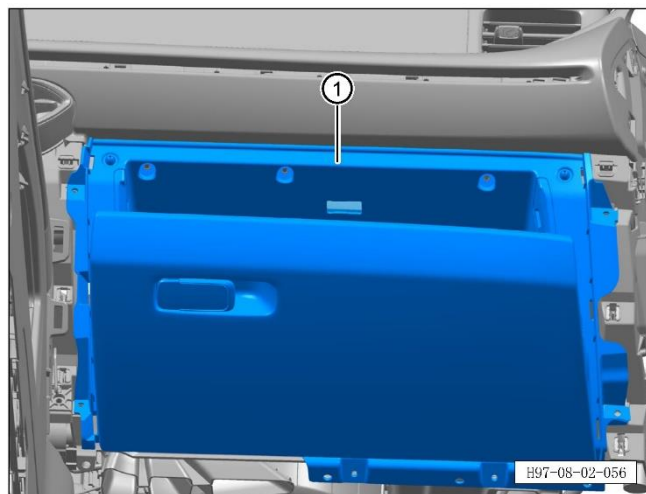
4. Remove the glove box assembly.

a. Unscrew 9 fixing screws of the glove box assembly.

Tightening torque of screw:  $2\pm 0.5\text{Nm}$



b. Remove the glove box assembly ①.



Refitting procedure

The refitting procedure is performed in reverse order.

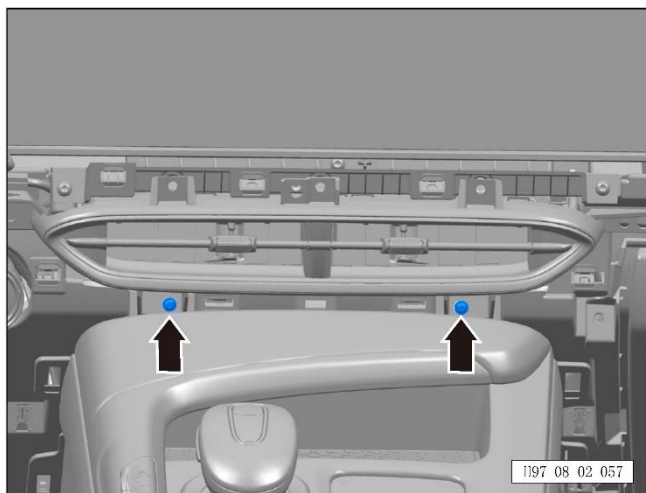
### 8.2.4.35 Removal and refitting of central air vent assembly

Removal procedure

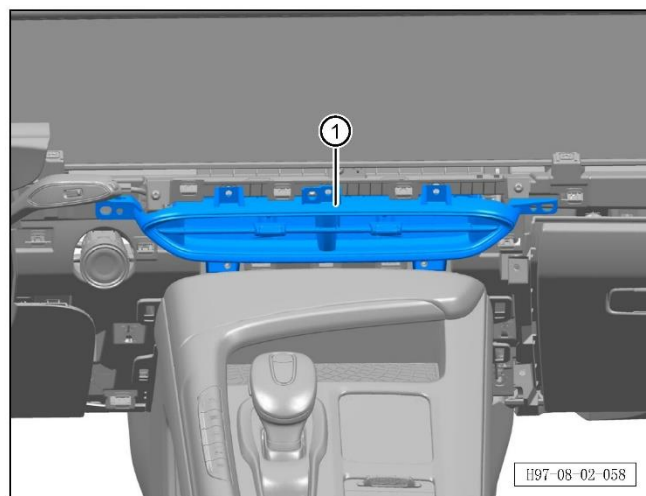
1. Remove the right trim panel assembly (refer to [8.2.4.19 Removal and refitting of right trim panel assembly](#))
2. Remove the middle protective plate assembly (refer to [8.2.4.21 Removal and refitting of middle protective plate assembly](#))
3. Remove the central air vent assembly.

a. Unscrew 2 fixing screws of the central air vent assembly.

Tightening torque of screw:  $2\pm 0.5\text{Nm}$ .



b. Take out the center air vent assembly ①.



Refitting procedure

The refitting procedure is performed in reverse order.

### 8.2.4.36 Removal and refitting of CCB connecting bracket

Removal procedure

Note:

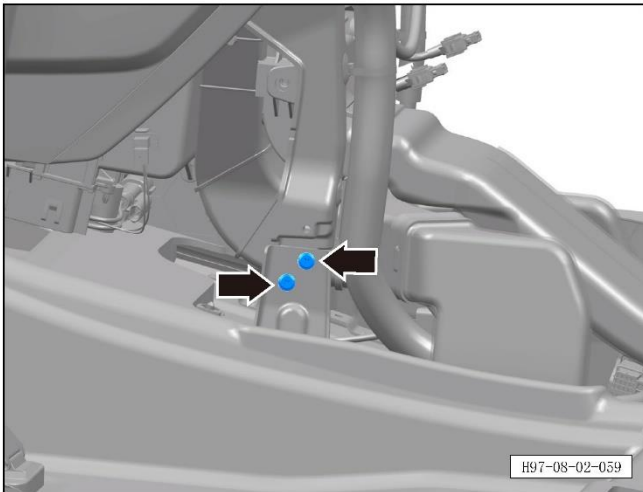
- The following is the removal and refitting of the left CCB connecting bracket, which can be referred to for the operations on the right side.

1. Remove the console assembly (refer to [8.3.4.22 Removal and refitting of console assembly](#))

2. Remove the left CCB connecting bracket.

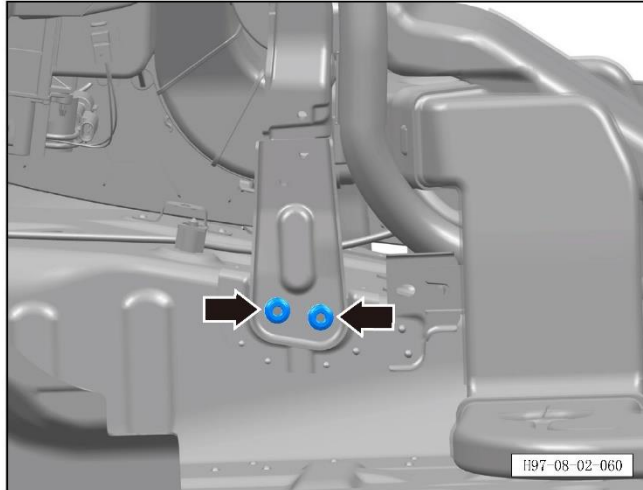
a. Unscrew 2 fixing bolts on the upper part of the left CCB connecting bracket.

Tightening torque of bolt:  $7\pm 1\text{Nm}$ .

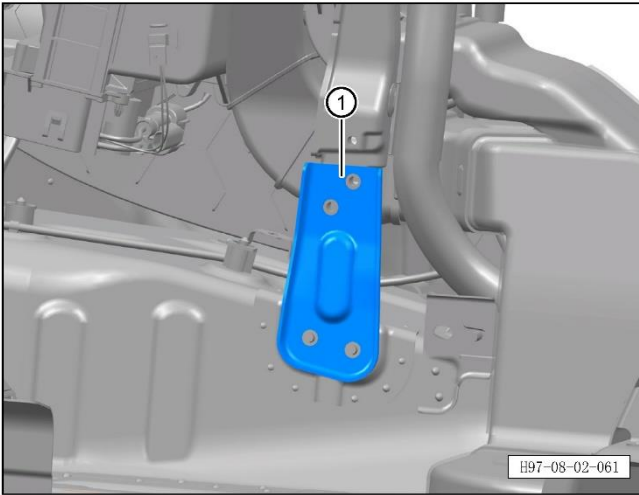


b. Uncover the front carpet and unscrew 2 fixing nuts on the lower part of the left CCB connecting bracket.

Tightening torque of nut:  $7\pm 1\text{Nm}$ .







c. Take out the left CCB connecting bracket ①.

Refitting procedure

The refitting procedure is performed in reverse order.

### **8.2.4.37 Removal and refitting of instrument panel assembly**

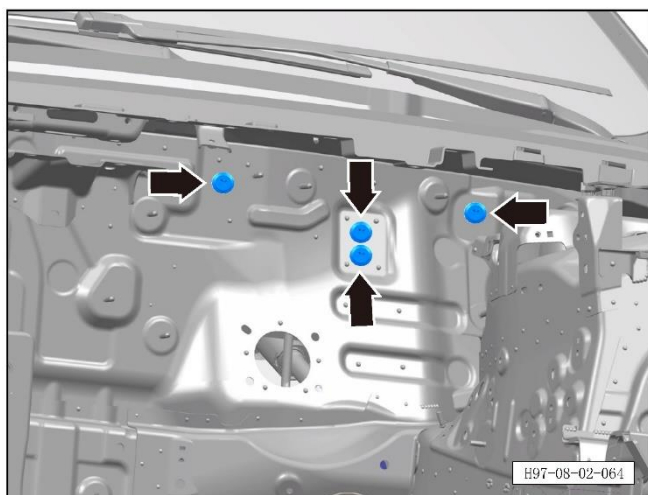
Removal procedure

1. Turn off all electrical appliances and turn off the start switch.
2. Disconnect the battery negative terminal (refer to [3.1.6.1 Maintenance and inspection of battery](#))
3. Remove the front seat assembly (refer to [8.1.3.1 Removal and refitting of front seat assembly](#))
4. Remove the console assembly (refer to [8.3.4.22 Removal and refitting of console assembly](#))
5. Remove the left and right CCB connecting brackets (refer to [8.2.4.36 Removal and refitting of left CCB connecting bracket](#))
6. Remove the instrument panel left and right end cover assemblies (refer to [8.2.4.14 Removal and refitting of instrument panel end cover assembly](#))
7. Remove the left and right A-pillar upper protective plate assemblies (refer to [8.5.5.1 Removal and refitting of A-pillar upper protective plate assembly](#))
8. Remove the left lower guard assembly (refer to [8.2.4.20 Removal and refitting of left lower guard assembly](#))
9. Remove the steering wheel (refer to [10.2.3.1 Removal and refitting of steering wheel](#))
10. Remove the steering column upper shield assembly (refer to [8.2.4.15 Removal and refitting of steering column upper shield assembly](#))
11. Remove the steering column lower shield assembly (refer to [8.2.4.16 Removal and refitting of steering column lower shield assembly](#))
12. Remove the steering column switch assembly (refer to [9.6.6.3 Removal and refitting of steering column switch assembly](#))
13. Remove the steering column assembly (refer to [6.1.7.1 Removal and refitting of steering upper shaft](#))
14. Remove the splitter assembly of the rear foot blowing duct (refer to [8.3.4.28 removal and refitting of splitter assembly of rear foot blowing duct](#))
15. Remove the MP5 player assembly (refer to [9.1.5.1 Removal and refitting of MP5 player assembly](#))
16. Remove the VCU assembly (refer to [5.3.4.1 Removal and refitting of VCU assembly](#))
17. Remove the A/C air inlet duct assembly (refer to [10.1.11.1 Removal and refitting of A/C air inlet duct assembly](#))
18. Remove the A/C expansion valve (refer to [10.1.12.11 Removal and refitting of A/C expansion valve](#))

19. Remove the instrument panel assembly.

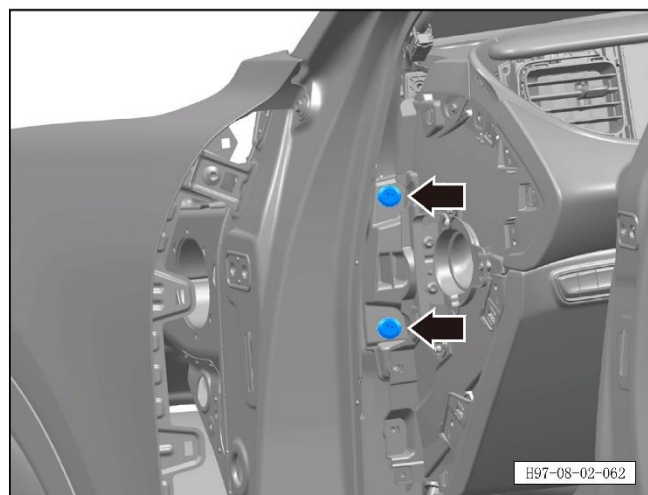
a. Unscrew 4 fixing bolts that secure the instrument panel assembly to the front wall panel.

Tightening torque of bolt:  $23\pm 2\text{Nm}$ .



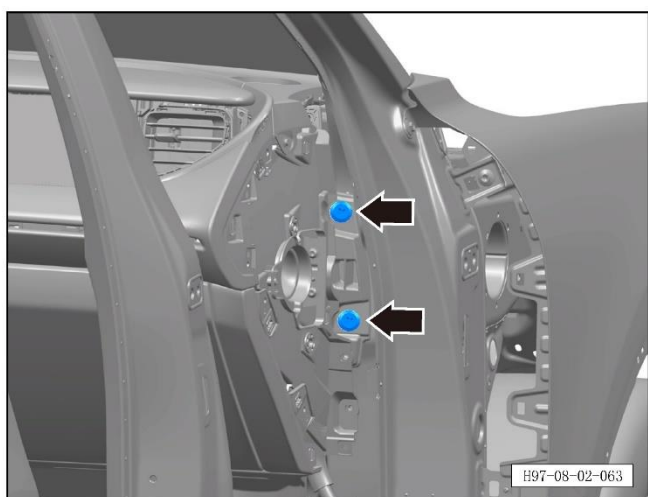
b. Unscrew 2 fixing bolts on the left side of the instrument panel assembly.

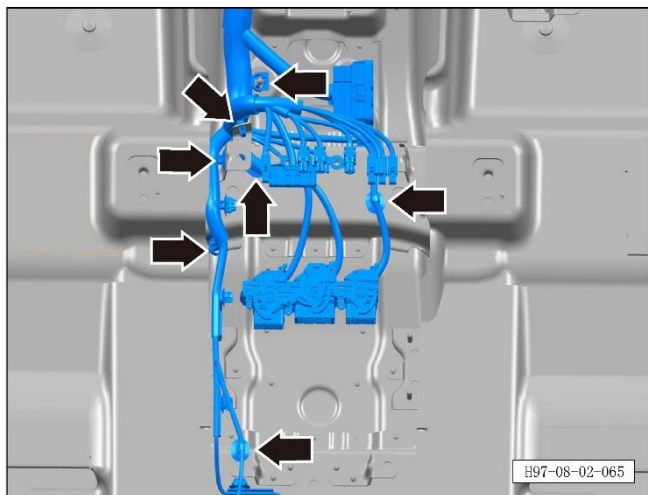
Tightening torque of bolt:  $23\pm 2\text{Nm}$ .



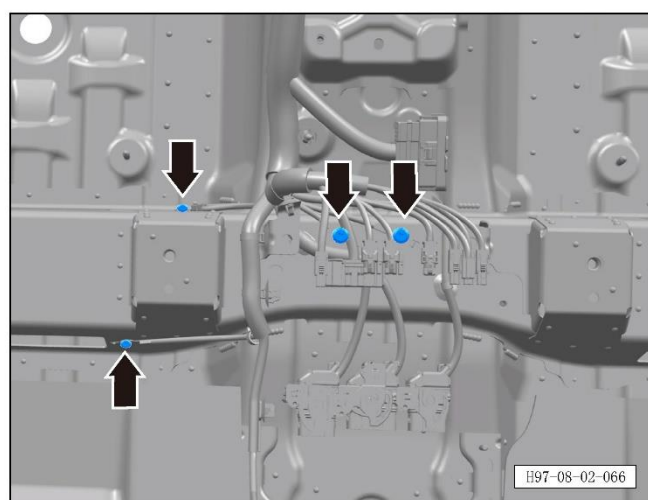
c. Unscrew 2 fixing bolts on the right side of the instrument panel assembly.

Tightening torque of bolt:  $23\pm 2\text{Nm}$ .





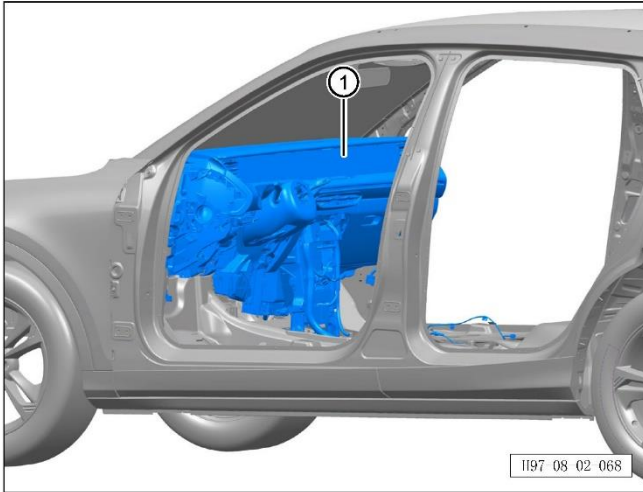
d. Disengage 7 fixing clips of the instrument harness



e. Unscrew 4 fixing bolts of the ground wire of the instrument panel harness.

Tightening torque of bolt:  $10\pm 2\text{Nm}$ .

f. Disconnect the instrument panel harness from the chassis harness and from the ceiling harness.



g. Take out the instrument panel assembly ①.

Note:

- This operation requires two technicians to complete in close coordination.

Refitting procedure

The refitting procedure is performed in reverse order.

### 8.2.4.38 Removal and refitting of defroster outer duct assembly

Removal procedure

Note:

- The following is the removal and refitting of the left defroster outer air duct assembly, which can be referred to for the operations on the right side.

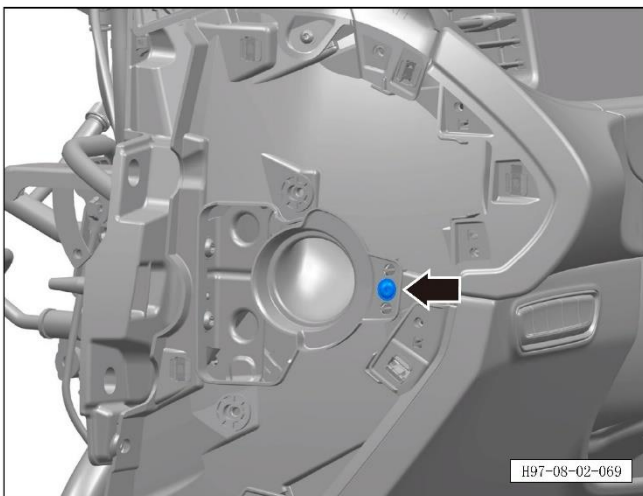
1. Remove the instrument panel assembly (refer to [8.2.4.37 Removal and refitting of instrument panel assembly](#))

2. Remove the instrument panel left end cover assembly (refer to [8.2.4.14 Removal and refitting of instrument panel end cover assembly](#))

3. Remove the left defroster outer duct assembly.

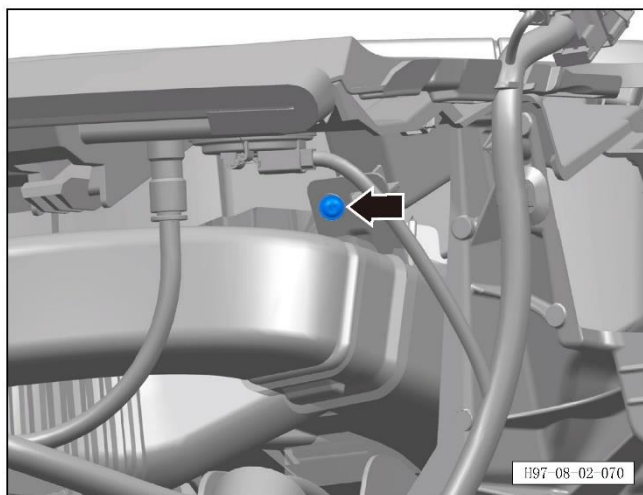
a. Unscrew 1 fixing screw on the outside of the left defroster inner duct assembly.

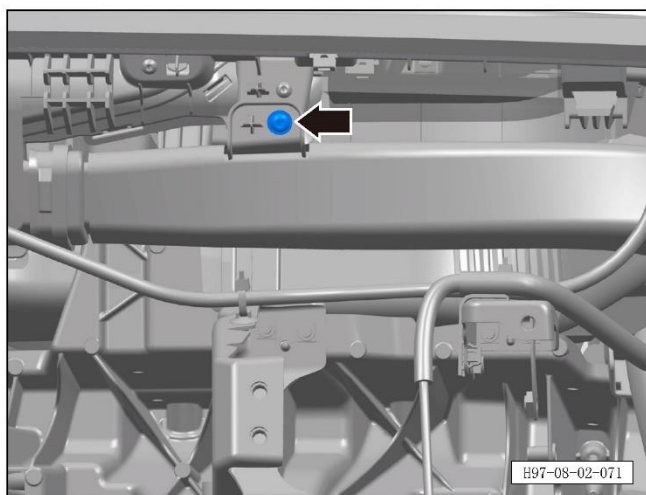
Tightening torque of screw:  $2\pm 0.5\text{Nm}$ .



b. Unscrew 1 fixing screw on the inside of the left defroster inner duct assembly.

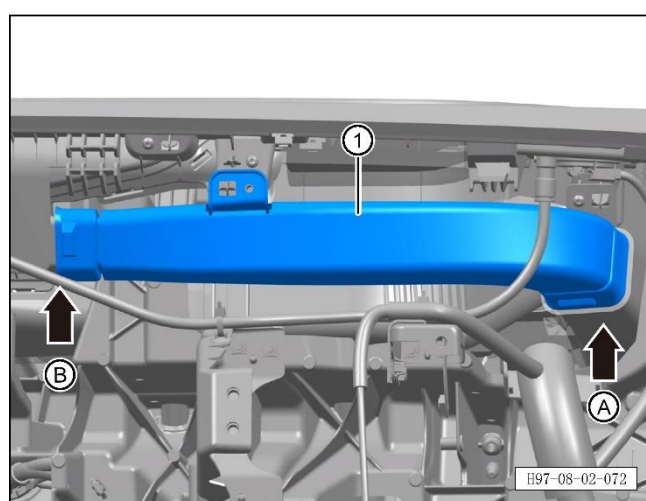
Tightening torque of screw:  $2\pm 0.5\text{Nm}$ .





c. Unscrew 1 fixing screw of the left defroster outer duct assembly.

Tightening torque of screw:  $2\pm 0.5\text{Nm}$ .



d. First disconnect the left defroster outer duct assembly from the left defroster inner duct assembly point A, then disconnect the left defroster outer duct from main air duct assembly point B, and take out the left defroster outer duct assembly ①.

Refitting procedure

The refitting procedure is performed in reverse order.

### 8.2.4.39 Removal and refitting of defroster inner duct assembly

Removal procedure

Note:

- The following is the removal and refitting of the left defroster inner duct assembly, which can be referred to for the operations on the right side.

1. Remove the instrument panel assembly (refer to [8.2.4.37 Removal and refitting of instrument panel assembly](#))

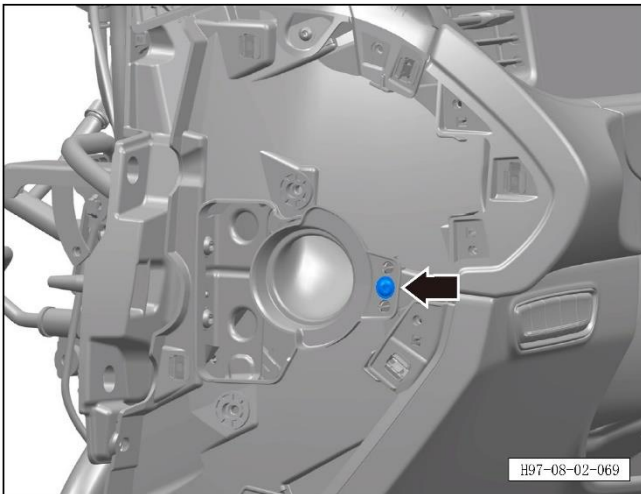
2. Remove the instrument panel left end cover assembly (refer to [8.2.4.14 Removal and refitting of instrument panel end cover assembly](#))

3. Remove the left defroster outer duct assembly (refer to [8.2.4.38 Removal and refitting of defroster outer duct assembly](#))

4. Remove the left defroster inner duct assembly.

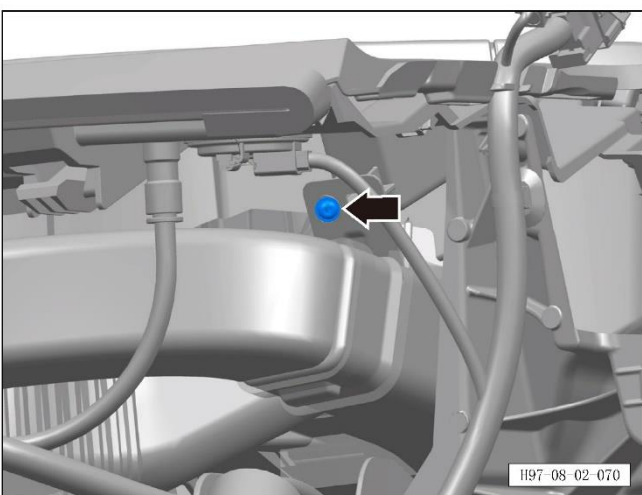
a. Unscrew 1 fixing screw on the outside of the left defroster inner duct assembly.

Tightening torque of screw:  $2\pm 0.5\text{Nm}$ .

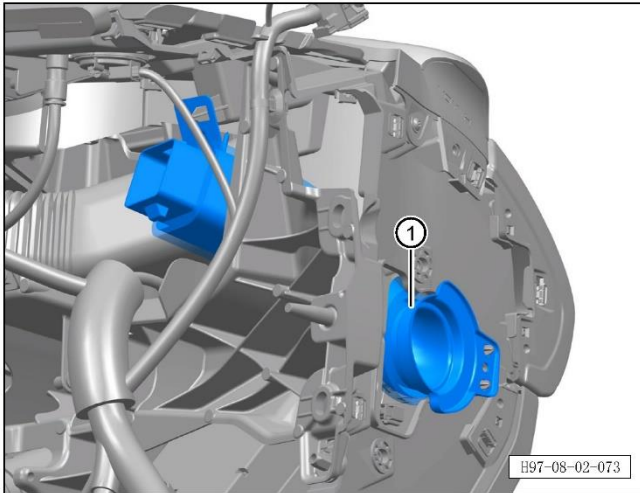


b. Unscrew 1 fixing screw on the inside of the left defroster inner duct assembly.

Tightening torque of screw:  $2\pm 0.5\text{Nm}$ .







c. Take out the left defroster inner duct assembly ①.

Refitting procedure

The refitting procedure is performed in reverse order.

#### 8.2.4.40 Removal and refitting of side flexible air duct hose assembly

Removal procedure

Note:

- The following is the removal and refitting of the left flexible air duct assembly, which can be referred to for the operations on the right side.

1. Remove the instrument panel assembly (refer to [8.2.4.37 Removal and refitting of instrument panel assembly](#))

2. Remove the left air vent assembly (refer to [8.2.4.10 Removal and refitting of side air vent assembly](#))

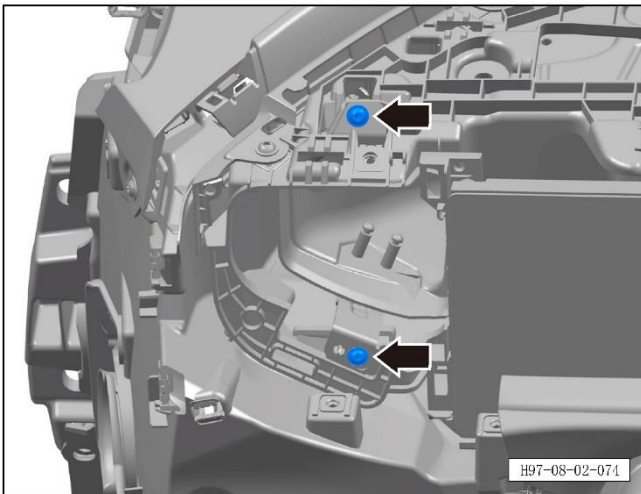
3. Remove the instrument panel left end cover assembly (refer to [8.2.4.14 Removal and refitting of instrument panel end cover assembly](#))

4. Remove the left defroster outer duct assembly (refer to [8.2.4.38 Removal and refitting of defroster outer duct assembly](#))

5. Remove the left flexible air duct assembly.

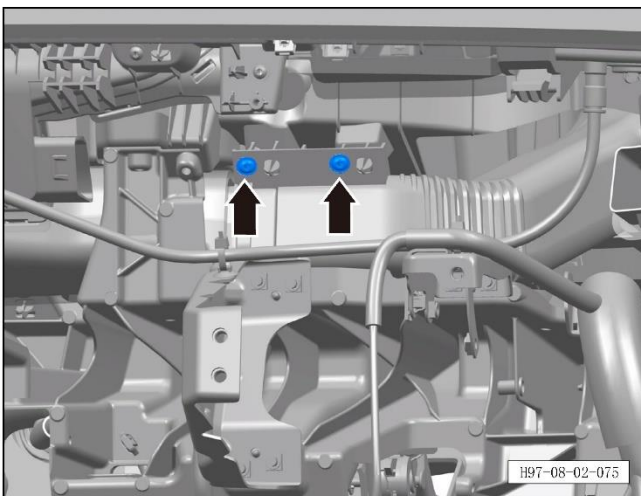
a. Unscrew 2 fixing screws at the front of the left flexible air duct assembly.

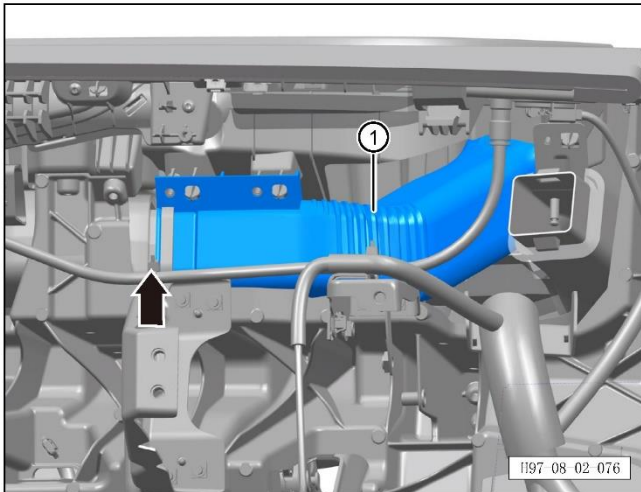
Tightening torque of screw:  $2\pm 0.5\text{Nm}$ .



b. Unscrew 2 fixing screws at the rear of the left flexible air duct assembly.

Tightening torque of screw:  $2\pm 0.5\text{Nm}$ .





c. Disconnect the left air duct hose assembly from the main air duct assembly, and take out the left flexible air duct assembly ①.

Refitting procedure

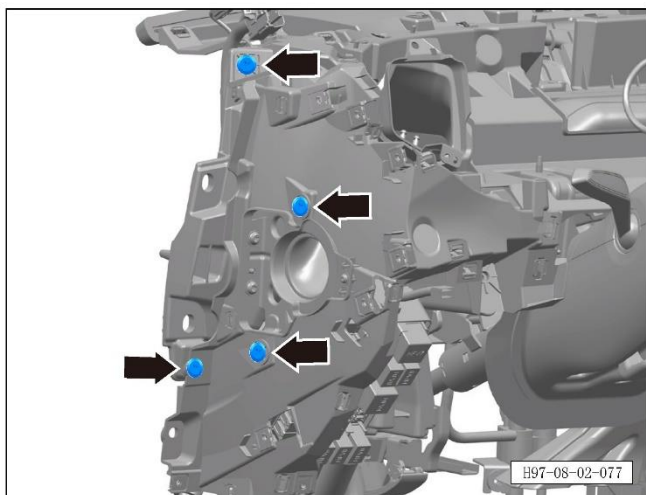
The refitting procedure is performed in reverse order.

#### **8.2.4.41 Removal and refitting of instrument panel frame assembly**

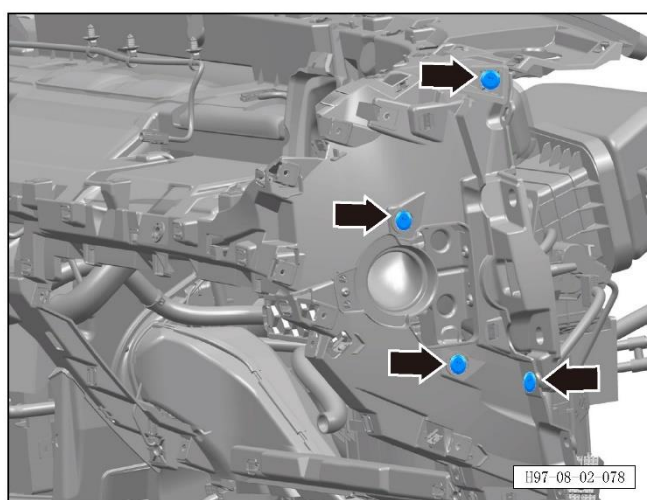
Removal procedure

1. Turn off all electrical appliances and turn off the start switch.
2. Disconnect the battery negative terminal (refer to [3.1.6.1 Maintenance and inspection of battery](#))
3. Remove the instrument panel assembly (refer to [8.2.4.37 Removal and refitting of instrument panel assembly](#))
4. Remove the rear trim strip assembly (refer to [8.2.4.1 Removal and refitting of rear trim strip assembly](#))
5. Remove the instrument panel trim strip (refer to [8.2.4.2 Removal and refitting of instrument panel trim strip](#))
6. Remove the right trim strip assembly (refer to [8.2.4.3 Removal and refitting of right trim strip assembly](#))
7. Remove the left trim strip assembly (refer to [8.2.4.4 Removal and refitting of left trim strip assembly](#))
8. Remove the right front trim strip assembly (refer to [8.2.4.5 Removal and refitting of right front trim strip assembly](#))
9. Remove the left front trim strip assembly (refer to [8.2.4.6 Removal and refitting of left front trim strip assembly](#))
10. Remove the camera mount (refer to [8.2.4.7 Removal and refitting of camera mount](#))
11. Remove the horn cover assembly (refer to [8.2.4.8 Removal and refitting of horn cover assembly](#))
12. Remove the screen upper cover plate body (refer to [8.2.4.9 Removal and refitting of screen upper cover plate body](#))
13. Remove the left and right air vent assemblies (refer to [8.2.4.10 Removal and refitting of side air vent assembly](#))
14. Remove the curtain panel (refer to [8.2.4.13 Removal and refitting of curtain panel](#))
15. Remove the instrument panel left and right end cover assemblies (refer to [8.2.4.14 Removal and refitting of instrument panel end cover assembly](#))
16. Remove the left and right tweeter cover assembly (refer to [8.2.4.17 Removal and refitting of tweeter cover assembly](#))
17. Remove the left trim panel assembly (refer to [8.2.4.18 Removal and refitting of left trim panel assembly](#))
18. Remove the right trim panel assembly (refer to [8.2.4.19 Removal and refitting of right trim panel assembly](#))

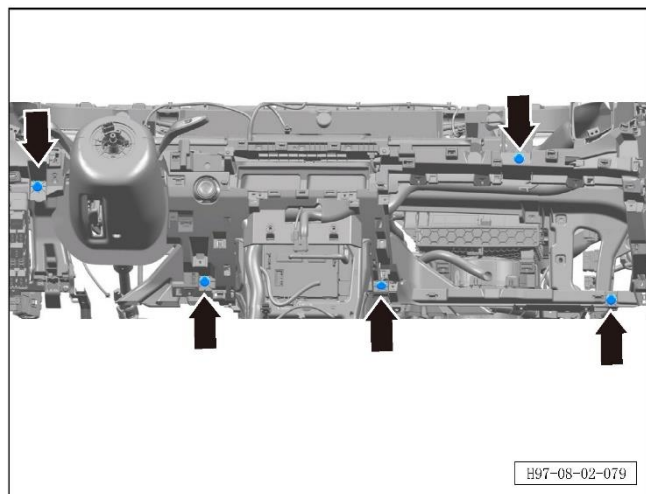
19. Remove the left lower guard assembly (refer to [8.2.4.20 Removal and refitting of left lower guard assembly](#))
20. Remove the lamp switch (refer to [9.6.6.5 Removal and refitting of lamp switch](#))
21. Remove the automatic A/C control panel (refer to [9.6.4.2 Removal and refitting of automatic A/C control panel](#))
22. Remove the middle protective plate assembly (refer to [8.2.4.21 Removal and refitting of middle protective plate assembly](#))
23. Remove the screen upper cover plate frame assembly (refer to [8.2.4.22 Removal and refitting of screen upper cover plate frame assembly](#))
24. Remove the display lifting mechanism body (refer to [8.2.4.27 Removal and refitting of display lifting mechanism body](#))
25. Remove the front defroster cover plate assembly (refer to [8.2.4.30 Removal and refitting of front defroster cover plate assembly](#))
26. Remove the instrument panel left lower bottom plate assembly (refer to [8.2.4.31 Removal and refitting of instrument panel lower left bottom plate assembly](#))
27. Remove the instrument panel right lower bottom plate assembly (refer to [8.2.4.32 Removal and refitting of instrument panel lower right bottom plate assembly](#))
28. Remove the glove box assembly (refer to [8.2.4.34 Removal and refitting of glove box assembly](#))
29. Remove the central air vent assembly (refer to [8.2.4.35 Removal and refitting of central air vent assembly](#))
30. Remove the left and right defroster outer duct assemblies (refer to [8.2.4.38 Removal and refitting of defroster outer duct assembly](#))
31. Remove the left and right defroster inner duct assemblies (refer to [8.2.4.39 Removal and refitting of defroster inner duct assembly](#))
32. Remove the left and right flexible air duct assemblies (refer to [8.2.3.40 Removal and refitting of side flexible air duct assembly](#))
33. Remove the instrument panel frame assembly.



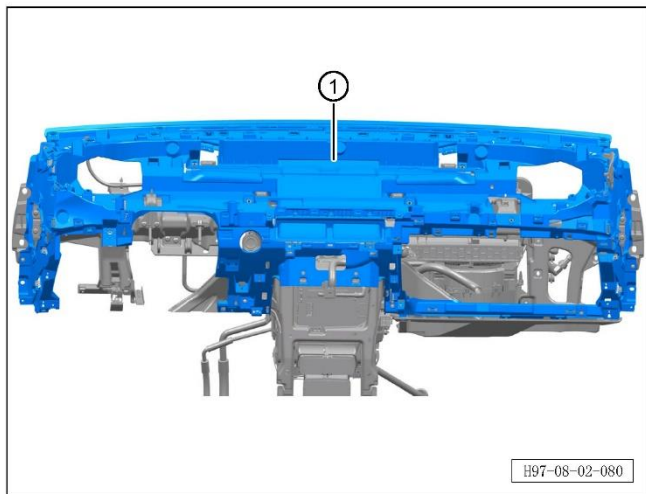
- a. Unscrew 4 fixing bolts on the left side of the instrument panel frame assembly.  
Tightening torque of bolt:  $6\pm 1\text{Nm}$ .



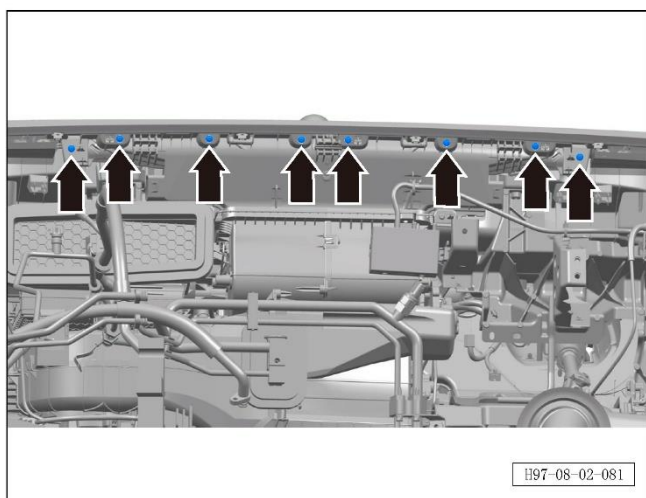
- b. Unscrew 4 fixing bolts on the right side of the instrument panel frame assembly.  
Tightening torque of bolt:  $6\pm 1\text{Nm}$ .



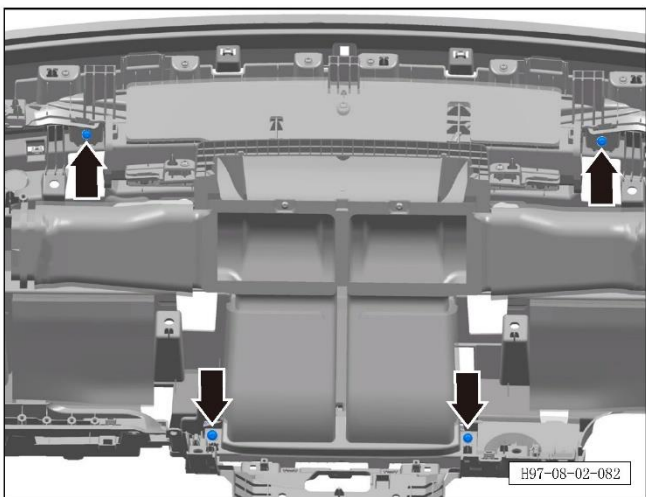
- c. Unscrew 5 fixing bolts of the instrument panel frame assembly.  
Tightening torque of bolt:  $6\pm 1\text{Nm}$ .



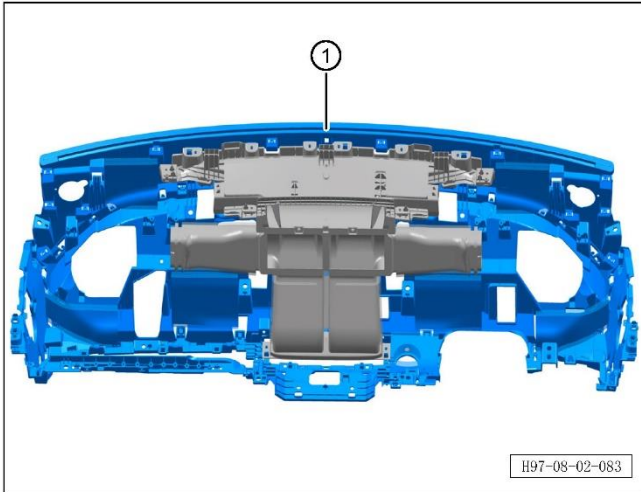
d. Take out the instrument panel frame assembly and the main air duct assembly ①.



e. Unscrew 8 fixing screws of the instrument panel frame assembly and the main air duct assembly.  
Tightening torque of screw:  $2\pm 0.5\text{Nm}$ .



f. Unscrew 4 fixing screws of the instrument panel frame assembly and the main air duct assembly.  
Tightening torque of screw:  $2\pm 0.5\text{Nm}$ .



g. Take out the instrument panel frame assembly ①.

Refitting procedure

The refitting procedure is performed in reverse order.



### 8.2.4.42 Removal and refitting of main air duct assembly

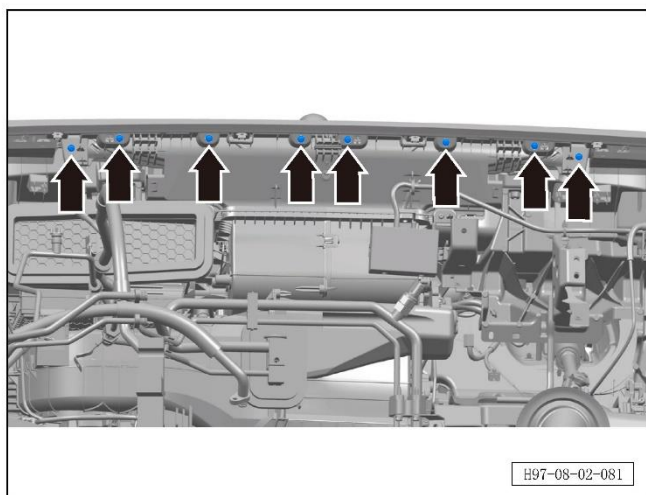
Removal procedure

1. Remove the instrument panel frame assembly (refer to [8.2.4.41 Removal and refitting of instrument panel frame assembly](#))

2. Remove the main air duct assembly

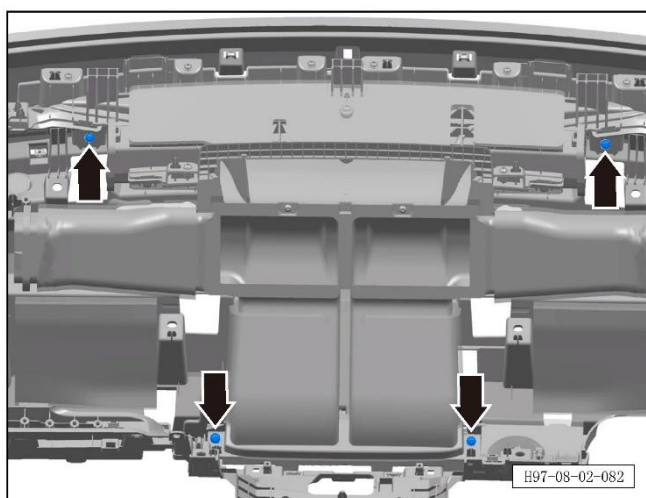
a. Unscrew 8 fixing screws of the main air duct assembly.

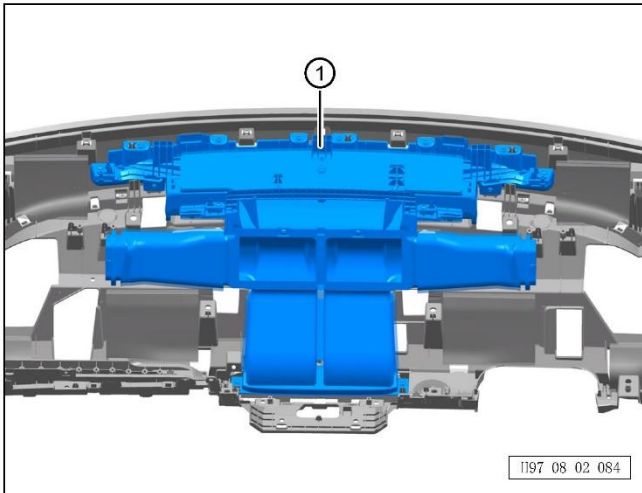
Tightening torque of screw:  $2\pm 0.5\text{Nm}$ .



b. Unscrew 4 fixing screws of the main air duct assembly.

Tightening torque of screw:  $2\pm 0.5\text{Nm}$ .





c. Take out the main air duct assembly ①.

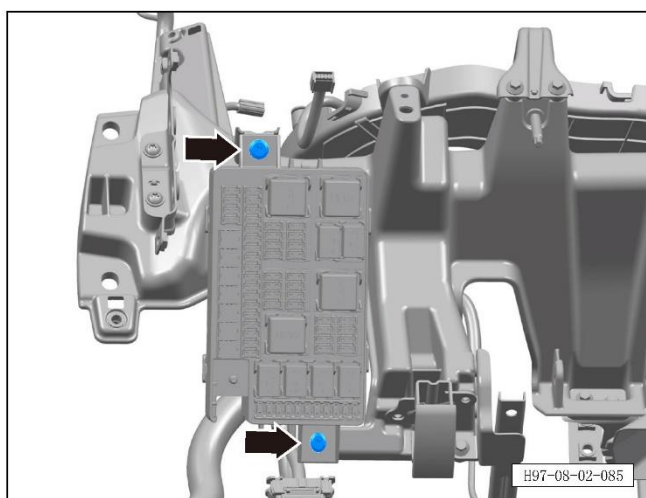
Refitting procedure

The refitting procedure is performed in reverse order.

### 8.2.4.43 Removal and refitting of CCB

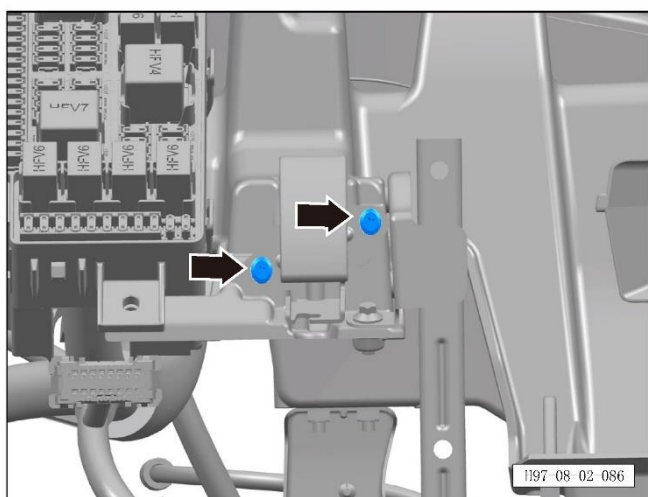
Removal procedure

1. Remove the instrument panel frame assembly (refer to [8.2.4.41 Removal and refitting of instrument panel frame assembly](#))
2. Remove the steering column upper shield assembly (refer to [8.2.4.15 Removal and refitting of steering column upper shield assembly](#))
3. Remove the steering column lower shield assembly (refer to [8.2.4.16 Removal and refitting of steering column lower shield assembly](#))
4. Remove the steering upper shaft (refer to [6.1.7.1 Removal and refitting of steering upper shaft](#))
5. Remove the CCB.



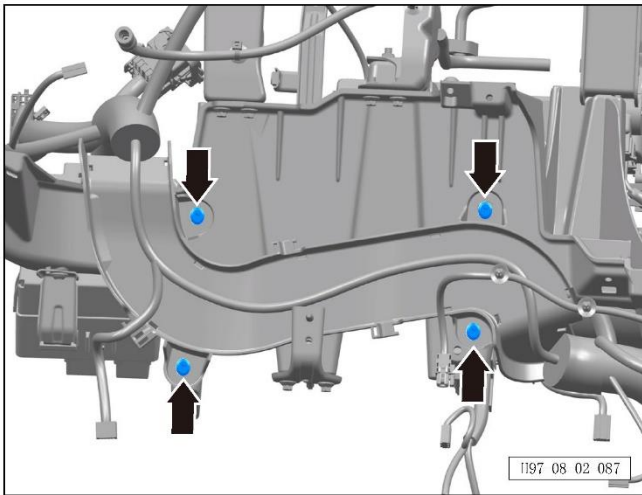
- a. Unscrew 2 fixing screws of the instrument junction block.

Tightening torque of screw:  $10\pm 2\text{Nm}$ .

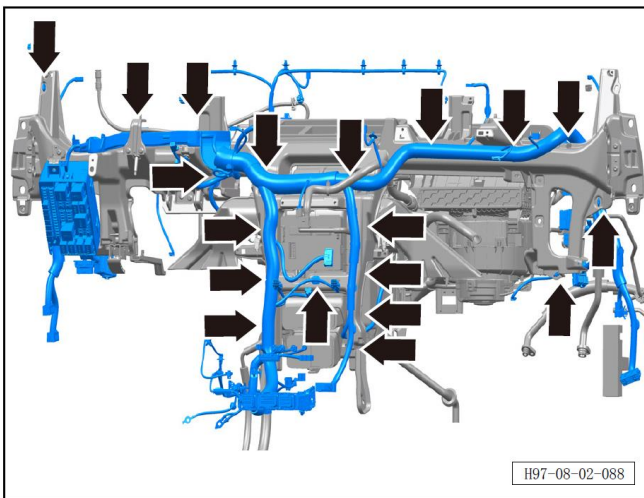


- b. Unscrew 2 fixing screws of the hood release handle.

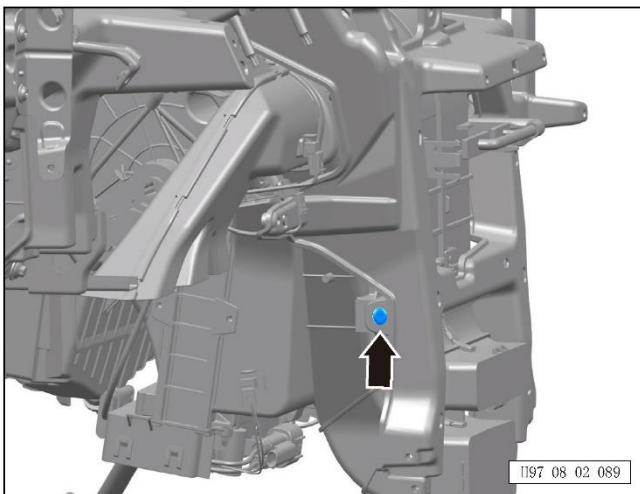
Tightening torque of screw:  $10\pm 2\text{Nm}$ .



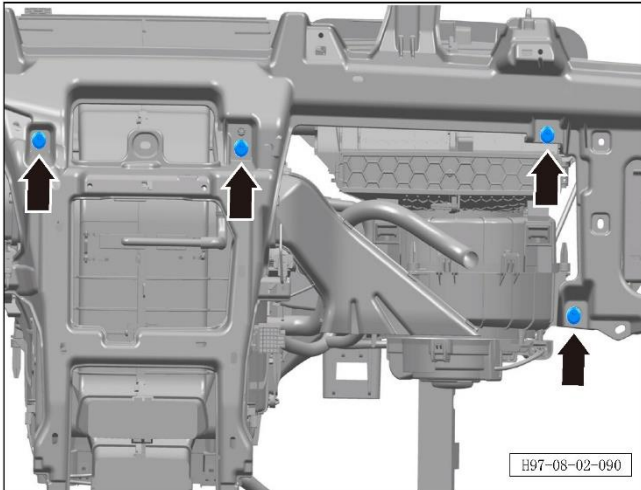
c. Unscrew 4 fixing screws of the instrument harness.  
Tightening torque of screw:  $10\pm 2\text{Nm}$ .



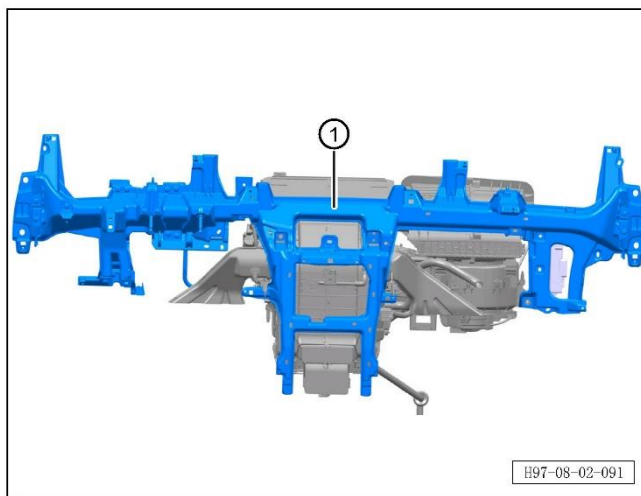
d. Disengage 19 fixing clips from the instrument harness.



e. Unscrew 1 fixing screw of the CCB.  
Tightening torque of screws:  $6\pm 1\text{Nm}$ .



f. Unscrew 4 fixing screws of the CCB.  
Tightening torque of screw:  $6\pm 1\text{Nm}$



g. Take out the CCB ①.

Refitting procedure

The refitting procedure is performed in reverse order.

#### 8.2.4.44 Removal and refitting of side foot blowing duct assembly

Removal procedure

Note:

- The following is the removal and refitting of the left foot blowing duct assembly, which can be referred to for the operations on the right side.

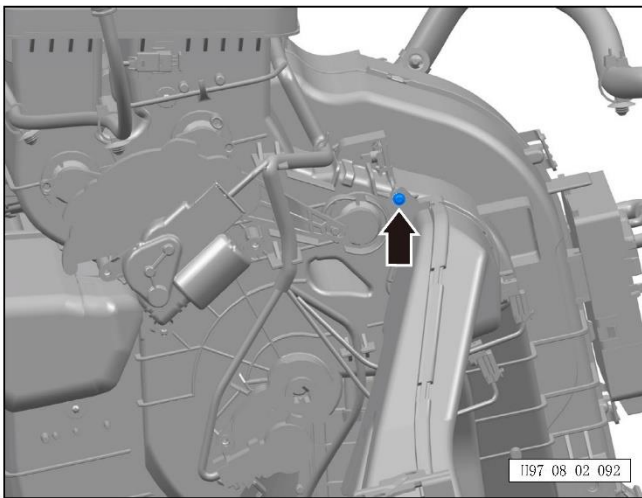
1. Remove the instrument panel frame assembly (refer to [8.2.4.41 Removal and refitting of instrument panel frame assembly](#))

2. Remove the CCB (refer to [8.2.4.43 Removal and refitting of CCB](#))

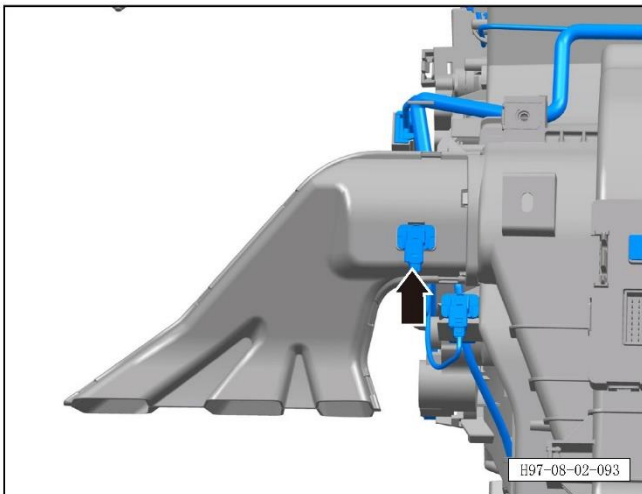
3. Remove the left foot blowing duct assembly.

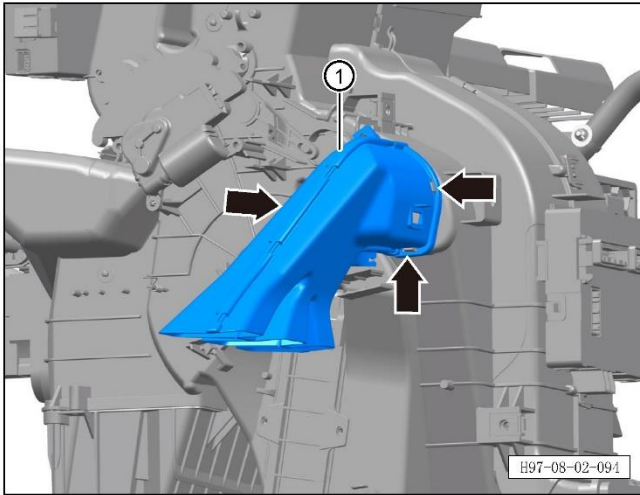
a. Unscrew 1 fixing screw of the left foot blowing duct assembly.

Tightening torque of screw:  $2\pm 0.5\text{Nm}$ .



b. Remove the indoor temperature sensor.





c. Disengage 3 fixing clips of the left foot blowing duct assembly, and take out the left foot blowing duct assembly ①.

Refitting procedure

The refitting procedure is performed in reverse order.

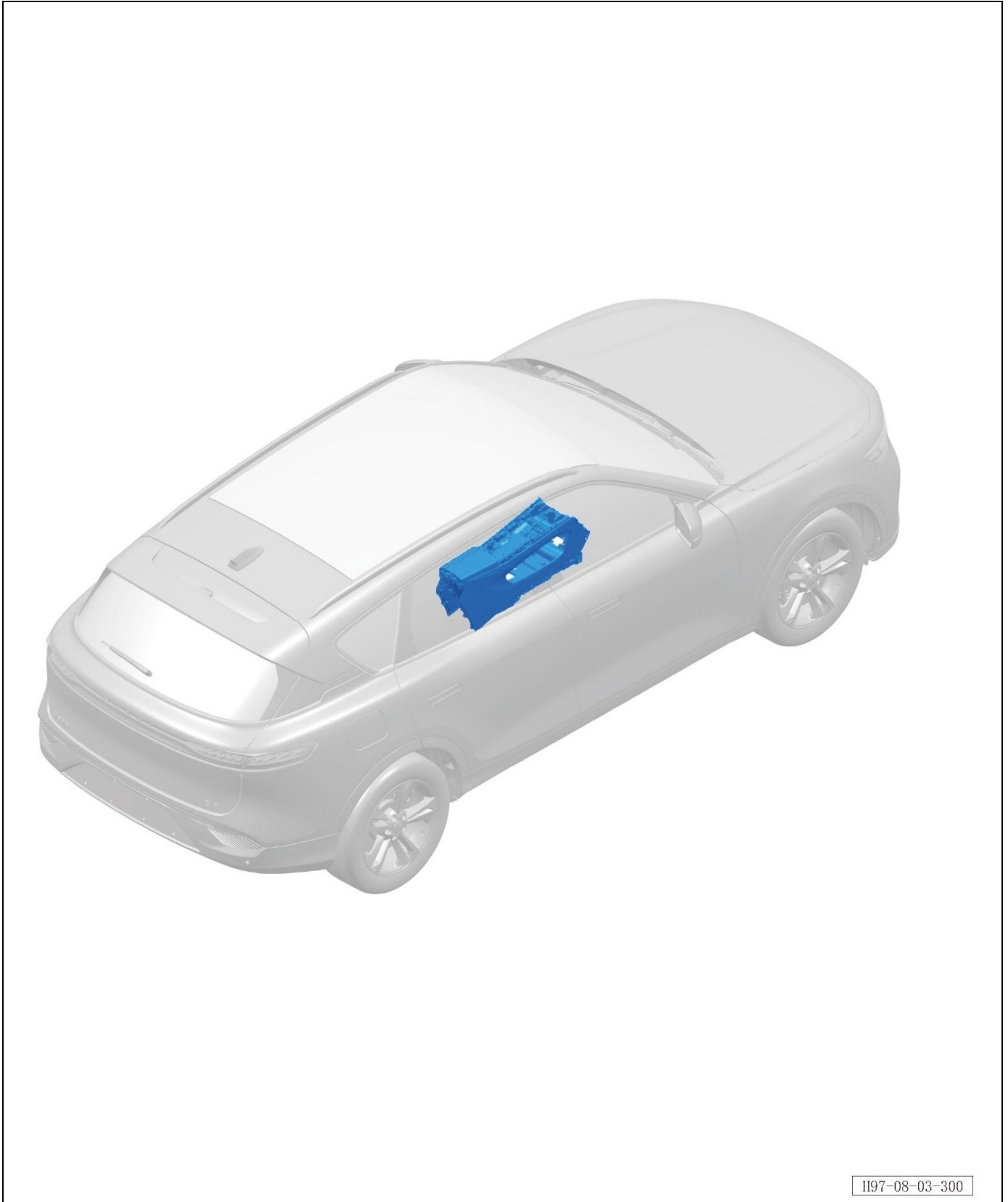
## 8.3 Console

### 8.3.1 Precautions

- Power off: be sure to set the ignition switch in OFF position in advance and then disconnect the battery negative cable when replacing the components on the console or removing the console assembly.
- Electrostatic grounding: be sure to connect a ground wire to the body, so as to transfer the electrostatic charge to the ground when servicing the console, regardless of this operation is performed on the car or platform.
- Preserve of components: the spare components for console shall be preserved in nickel-plated packing bags and shall be taken out during refitting rather than any time before that. Do not touch the conductive contact during the above operation.
- Cover the console with protective cover after taking it down to protect it from being scratched.

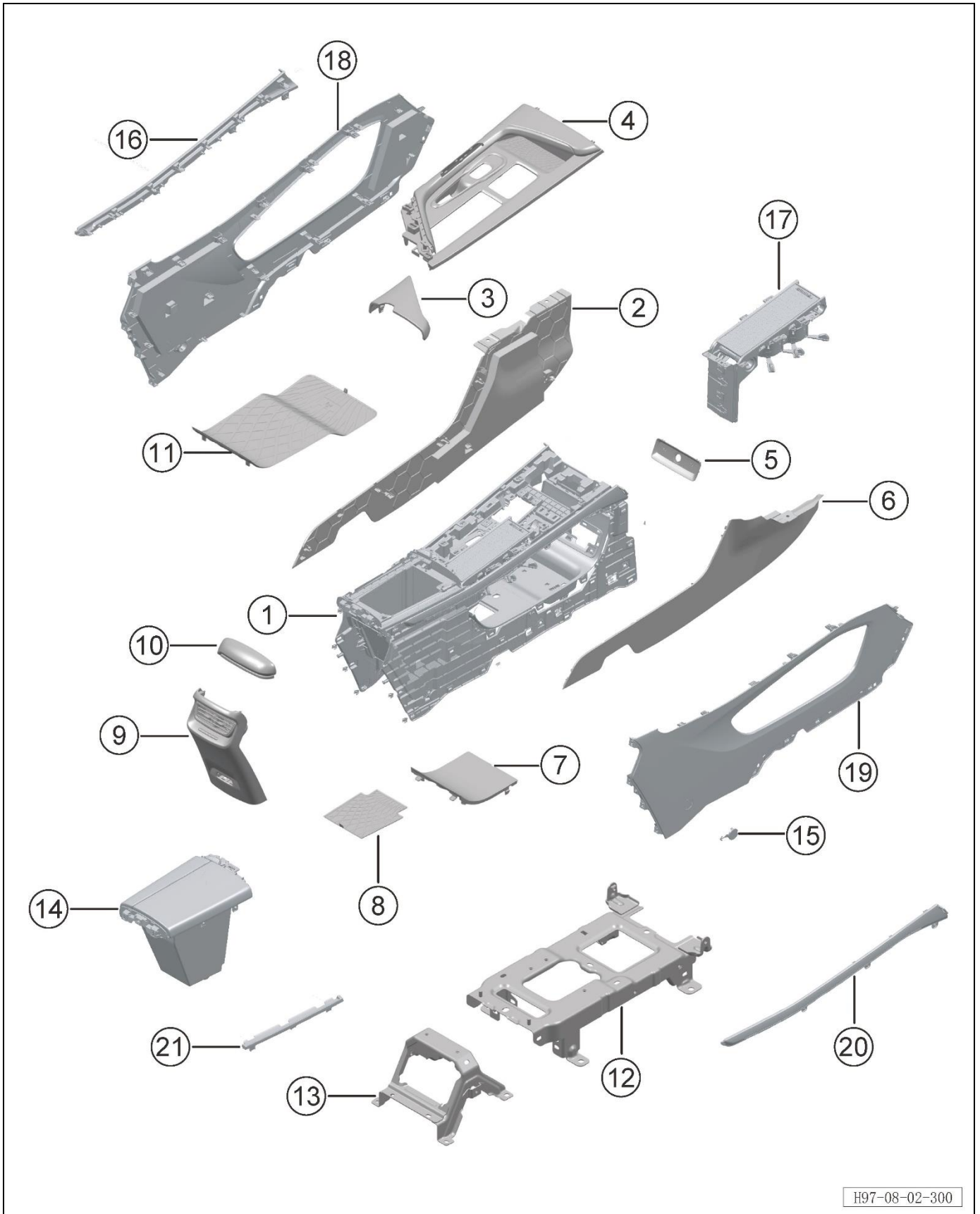


**8.3.2 Position diagram of parts**



1197-08-03-300

8.3.3 Exploded view



S/N	Part name	Loading quantity	Remarks
1	Console assembly	1	
2	Left front extension plate assembly	1	
3	Armrest box lock cover plate	1	
4	Upper panel assembly	1	
5	USB cover plate	1	
6	Right front extension plate assembly	1	
7	Fragrance plug	1	
8	Armrest box pad	1	
9	Rear cover plate assembly	1	
10	Armrest box rear trim assembly	1	
11	Central armrest box pad	1	
12	Console middle mounting bracket assembly	1	
13	Console rear mounting bracket assembly	1	
14	Armrest box assembly	1	
15	Plug cap	2	
16	Left covering assembly	1	
17	Roller blind cup holder assembly	1	
18	Console left side panel	1	
19	Console right side panel	1	
20	Right covering assembly	1	
21	Armrest box trim strip	1	

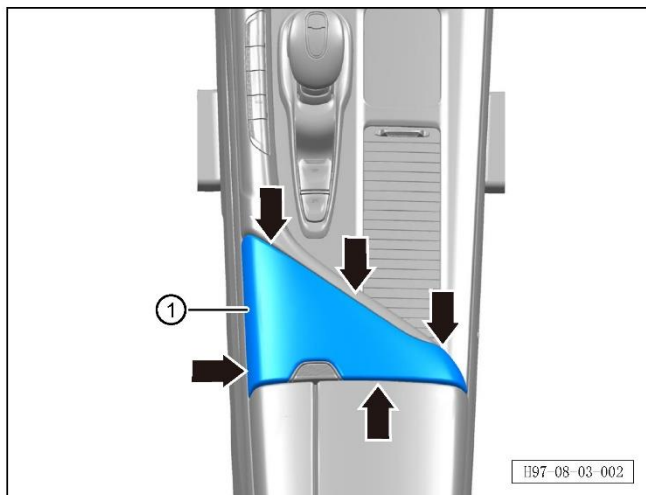
### 8.3.4 Removal and refitting of console

#### 8.3.4.1 Removal and refitting of armrest box lock cover plate

Removal procedure

1. Remove the armrest lock cover.

a. Disengage 5 fixing clips of the armrest box lock cover plate, and take out the armrest box lock cover plate ①.



Refitting procedure

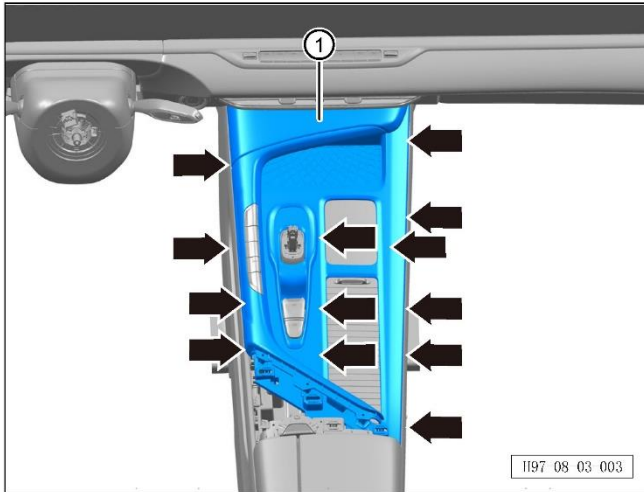
The refitting procedure is performed in reverse order.

### 8.3.4.2 Removal and refitting of upper panel assembly

Removal procedure

1. Remove the armrest box lock cover plate (refer to [8.3.4.1 Removal and refitting of armrest box lock cover plate](#))
2. Remove the shift lever (refer to [6.7.10.1 Removal and refitting of shift lever](#))
3. Remove the upper panel assembly.

a. Disengage 13 fixing clips of the upper panel assembly, and take out the upper panel assembly①.



Refitting procedure

The refitting procedure is performed in reverse order.

### 8.3.4.3 Removal and refitting of front covering assembly

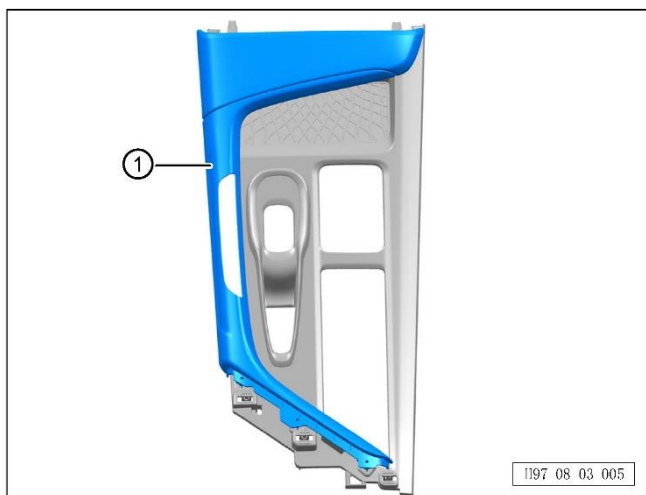
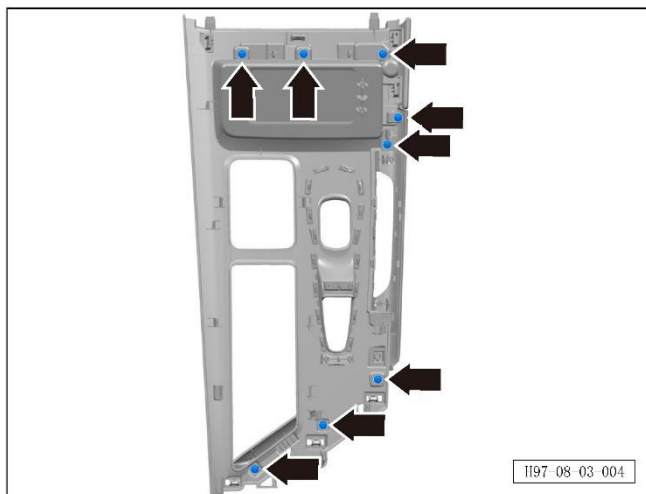
Removal procedure

1. Remove the upper panel assembly (refer to [8.3.4.2 Removal and refitting of upper panel assembly](#))

2. Remove the front covering assembly.

a. Unscrew 8 fixing screws of the upper panel assembly.

Tightening torque of screw:  $2\pm 0.5\text{Nm}$ .



b. Take out the front covering assembly ①.

Refitting procedure

The refitting procedure is performed in reverse order.

### 8.3.4.4 Removal and refitting of shift panel assembly

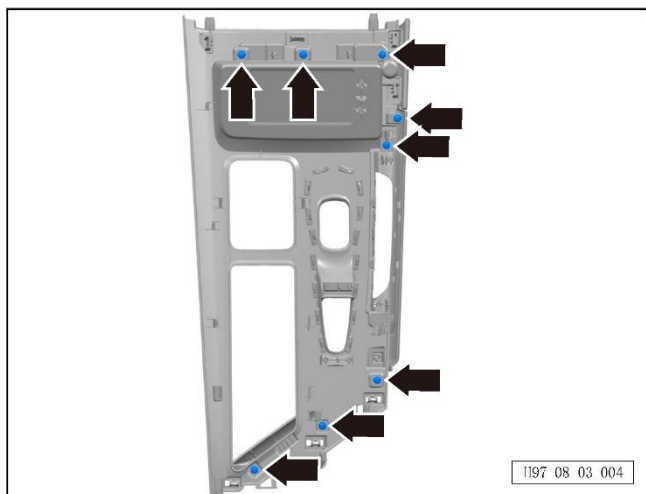
Removal procedure

1. Remove the upper panel assembly (refer to [8.3.4.2 Removal and refitting of upper panel assembly](#))

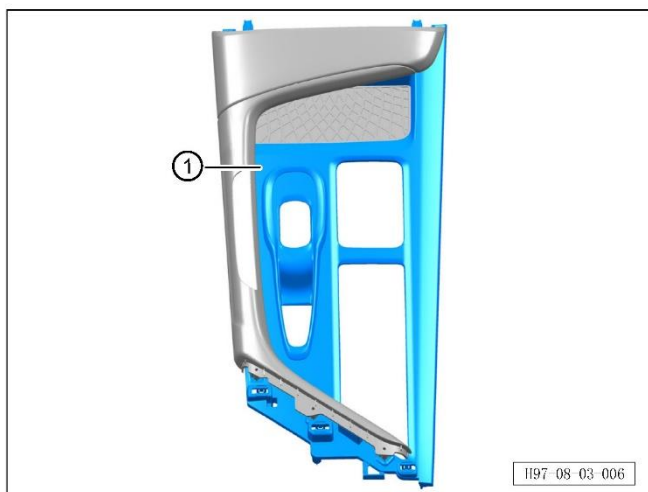
2. Remove the shift panel assembly.

a. Unscrew 8 fixing screws of the upper panel assembly.

Tightening torque of screw:  $2\pm 0.5\text{Nm}$ .



b. Take out the shift panel assembly ①.



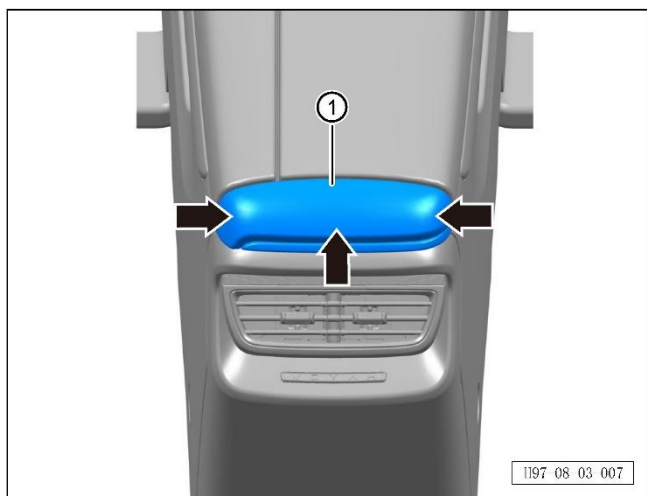
Refitting procedure

The refitting procedure is performed in reverse order.

### 8.3.4.5 Removal and refitting of armrest box rear trim assembly

#### Removal procedure

1. Disengage 3 fixing clips of the armrest box rear trim assembly, and take out the armrest box rear trim assembly ①.



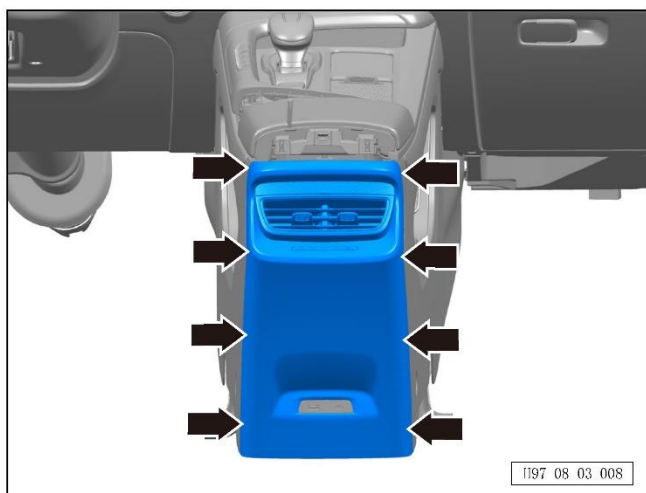
#### Refitting procedure

The refitting procedure is performed in reverse order.

### 8.3.4.6 Removal and refitting of armrest box rear cover plate assembly

#### Removal procedure

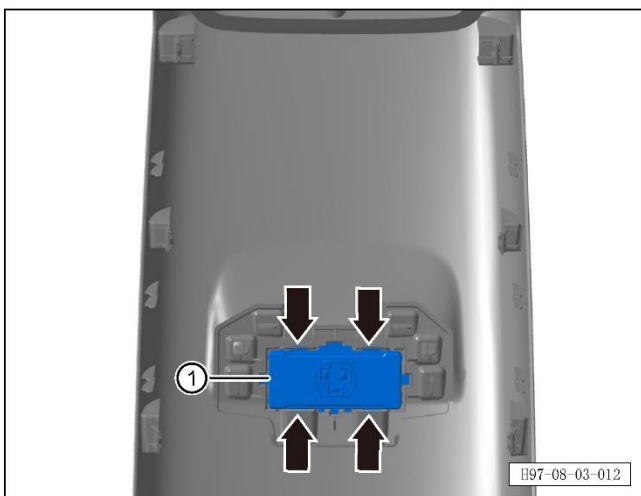
1. Remove the armrest box rear trim assembly (refer to [8.3.4.5 Removal and refitting of armrest box rear trim assembly](#))
2. Remove the armrest box rear cover plate assembly.
  - a. Disengage 8 fixing clips of the armrest box rear cover plate assembly.



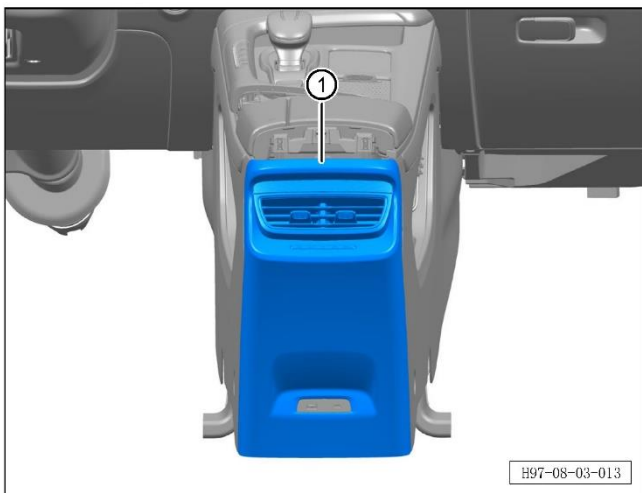




b. Disconnect the USB charger connector.



c. Disengage 4 fixing clips of the USB charger, and take out the USB charger ①.



d. Take out the armrest box rear cover plate assembly ①.

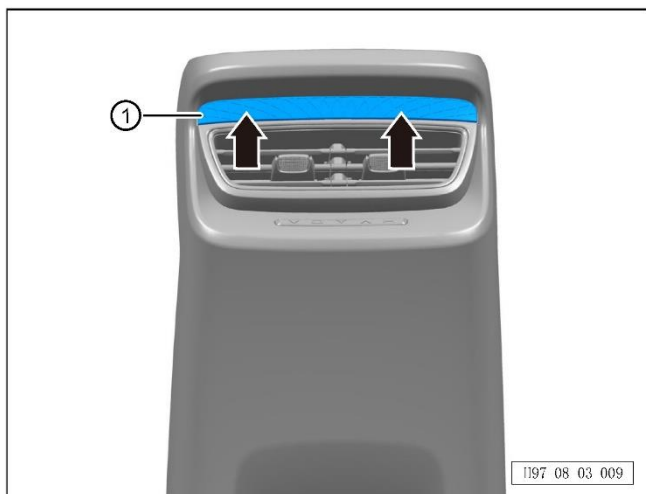
Refitting procedure

The refitting procedure is performed in reverse order.

### 8.3.4.7 Removal and refitting of rear air vent trim strip

Removal procedure

1. Remove the armrest box rear cover plate assembly (refer to [8.3.4.6 Removal and refitting of armrest box rear cover plate assembly](#))
2. Remove the rear air vent trim strip.
  - a. Disengage 2 fixing clips of the rear air vent trim strip, and take out the rear air vent trim strip ①.



Refitting procedure

The refitting procedure is performed in reverse order.

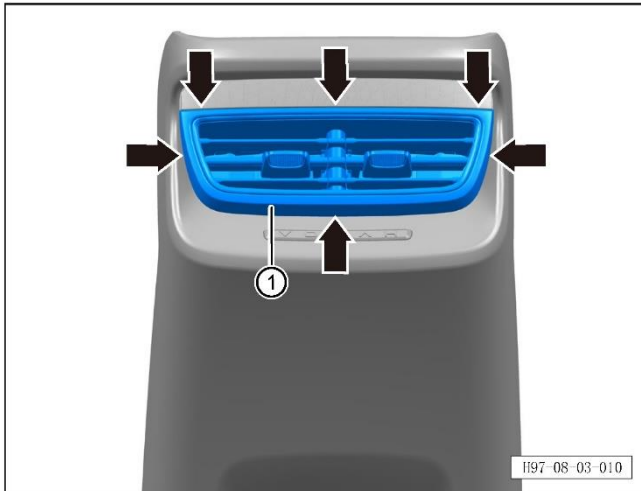
### 8.3.4.8 Removal and refitting of rear air vent assembly

Removal procedure

1. Remove the armrest box rear cover plate assembly (refer to [8.3.4.6 Removal and refitting of armrest box rear cover plate assembly](#))

2. Remove the rear air vent assembly.

a. Disengage 2 fixing clips of the rear air vent assembly, and take out the rear air vent assembly ①.



Refitting procedure

The refitting procedure is performed in reverse order.

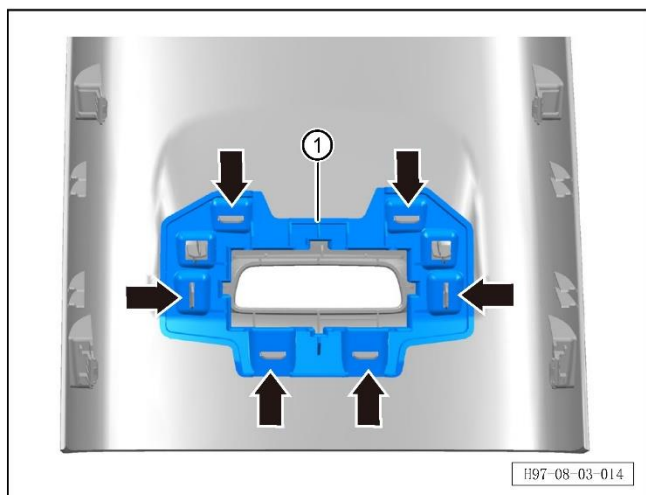
### 8.3.4.9 Removal and refitting of rear USB bracket

Removal procedure

1. Remove the armrest box rear cover plate assembly (refer to [8.3.4.6 Removal and refitting of armrest box rear cover plate assembly](#))

2. Remove the rear USB bracket.

a. Disengage 6 fixing clips of the rear USB bracket, and take out the rear USB bracket ①.



Refitting procedure

The refitting procedure is performed in reverse order.

### 8.3.4.10 Removal and refitting of rear cover plate body

#### Removal procedure

1. Remove the armrest box rear cover plate assembly (refer to [8.3.4.6 Removal and refitting of armrest box rear cover plate assembly](#))
2. Remove the rear air vent assembly (refer to [8.2.4.8 Removal and refitting of rear air vent assembly](#))
3. Remove the rear USB bracket (refer to [8.3.4.9 Removal and refitting of rear USB bracket](#))
4. Remove the rear cover plate body.
  - a. Disengage 2 fixing clips and remove the LOGO trim strip, and take out the rear cover plate body ①.



#### Refitting procedure

The refitting procedure is performed in reverse order.

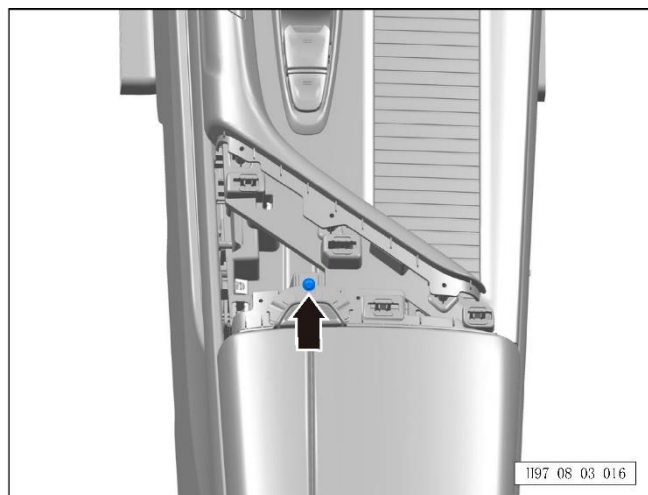
### 8.3.4.11 Removal and refitting of armrest box assembly

Removal procedure

1. Remove the armrest box rear cover plate assembly (refer to [8.3.4.6 Removal and refitting of armrest box rear cover plate assembly](#))
2. Remove the armrest box lock cover plate (refer to [8.3.4.1 Removal and refitting of armrest box lock cover plate](#))
3. Remove the armrest box assembly.

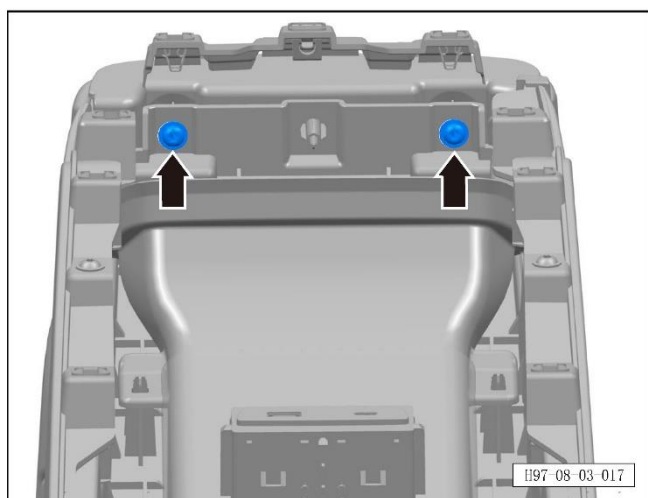
a. Unscrew 1 fixing screw on the front of the armrest box assembly.

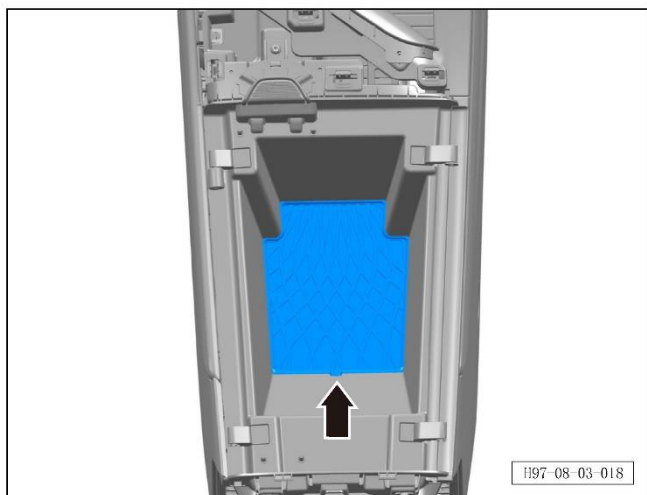
Tightening torque of screw:  $2\pm 0.5\text{Nm}$ .



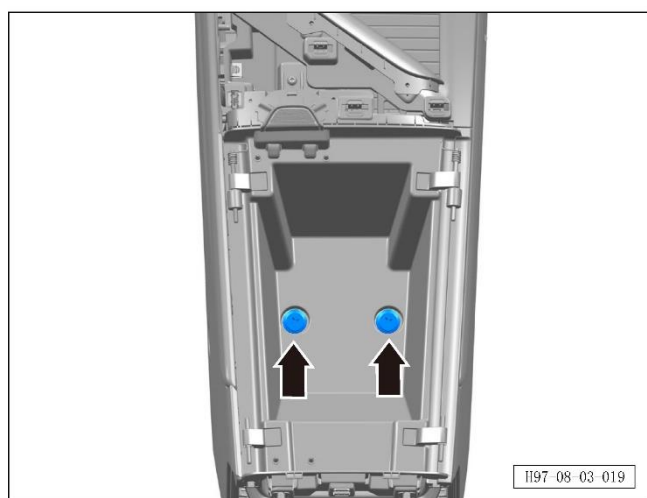
b. Unscrew 2 fixing screws under the rear of the armrest box assembly.

Tightening torque of screw:  $2\pm 0.5\text{Nm}$ .

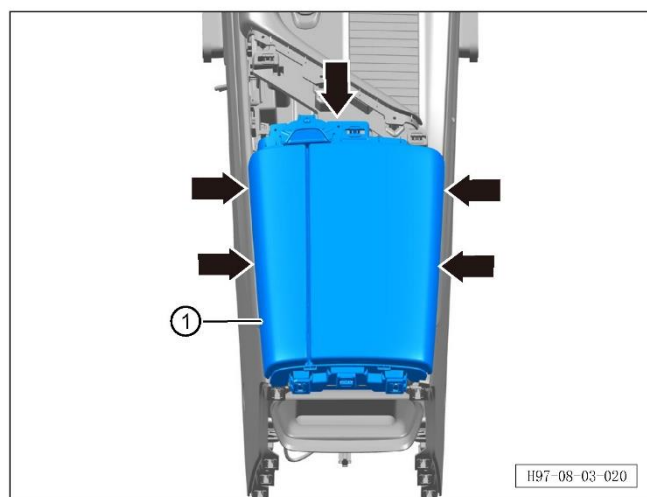




c. Open the armrest box assembly cover plate and take out the armrest box pad.



d. Unscrew 2 fixing bolts under the armrest pad. Tightening torque of bolt:  $6\pm 1\text{Nm}$ .



e. Disengage 5 fixing clips of the armrest box assembly, and take out the armrest box assembly ①.

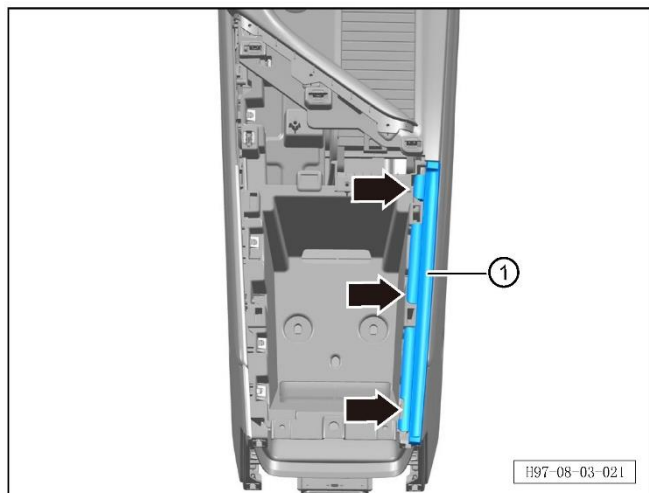
Refitting procedure

The refitting procedure is performed in reverse order.

### 8.3.4.12 Removal and refitting of armrest box trim strip

Removal procedure

1. Remove the armrest box assembly (refer to [8.3.4.11 Removal and refitting of armrest box assembly](#))
2. Disengage 3 fixing clips of the armrest box trim strip, and take out the armrest box trim strip ①.



Refitting procedure

The refitting procedure is performed in reverse order.

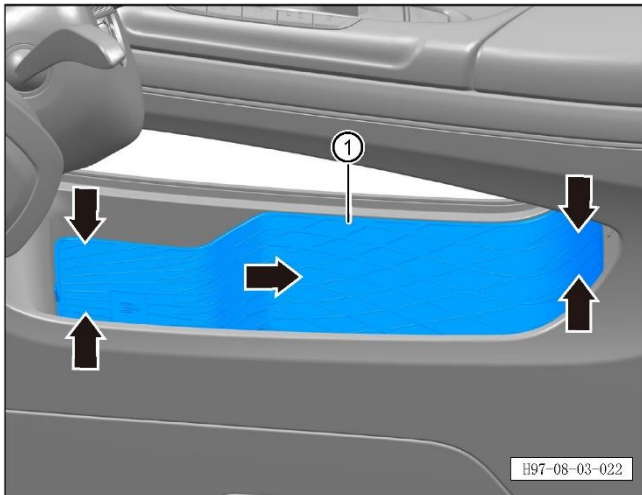


### 8.3.4.13 Removal and refitting of central armrest box pad

Removal procedure

1. Remove the central armrest box pad.

a. Disengage 5 rubber clips of the central armrest box pad, and take out the central armrest box pad ①.



Refitting procedure

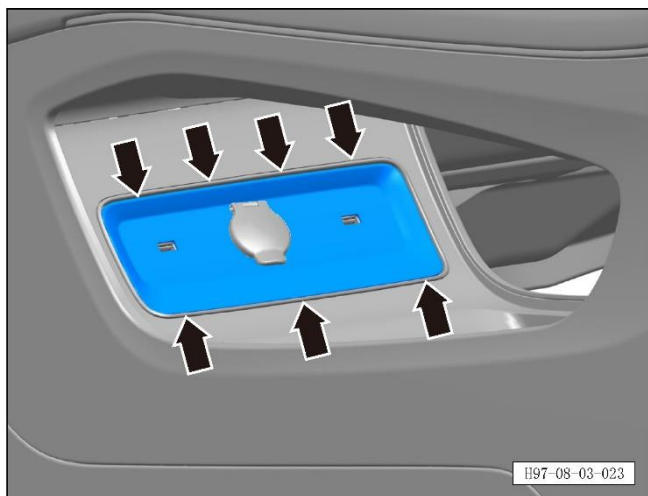
The refitting procedure is performed in reverse order.

**8.3.4.14 Removal and refitting of USB cover plate**

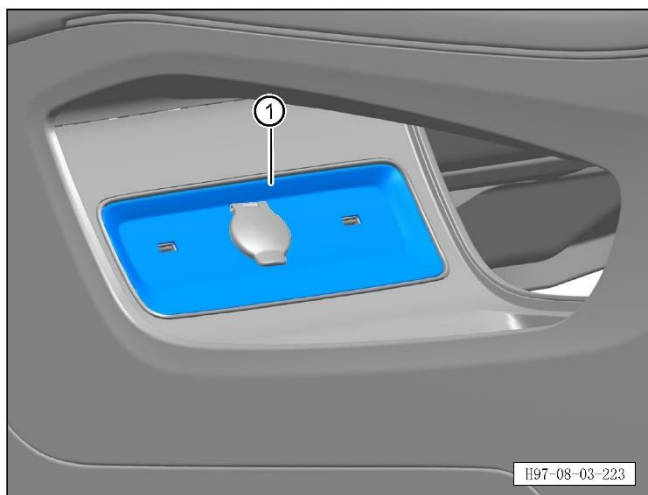
Removal procedure

1. Remove the USB cover plate.

a. Disengage 7 fixing clips of the USB cover plate.



b. Remove the USB connector and disconnect the cigarette lighter connector, and take out the USB cover plate ①.



Refitting procedure

The refitting procedure is performed in reverse order.

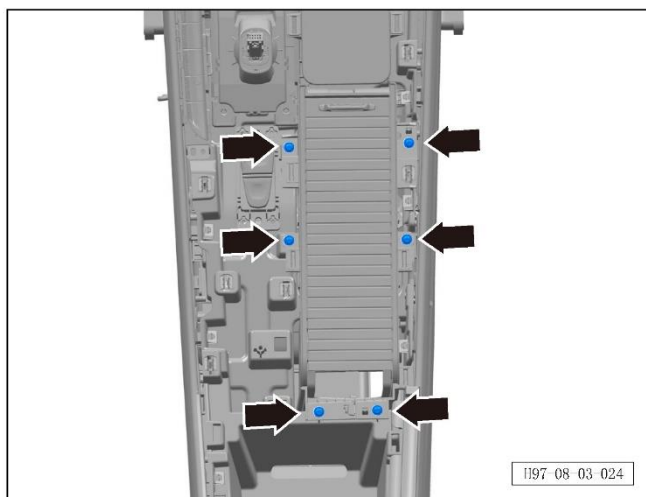
### 8.3.4.15 Removal and refitting of roller blind cup holder assembly

Removal procedure

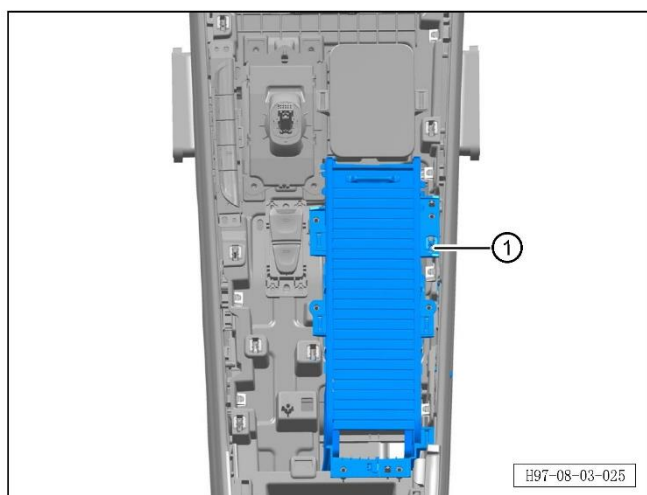
1. Remove the armrest box assembly (refer to [8.3.4.11 Removal and refitting of armrest box assembly](#))
2. Remove the upper panel assembly (refer to [8.3.4.2 Removal and refitting of upper panel assembly](#))
3. Remove the roller blind cup holder assembly.

a. Unscrew 6 fixing screws of the roller blind cup holder assembly.

Tightening torque of screw:  $2\pm 0.5\text{Nm}$ .



b. Take out the roller blind cup holder assembly ①.



Refitting procedure

The refitting procedure is performed in reverse order.

### 8.3.4.16 Removal and refitting of front extension plate assembly

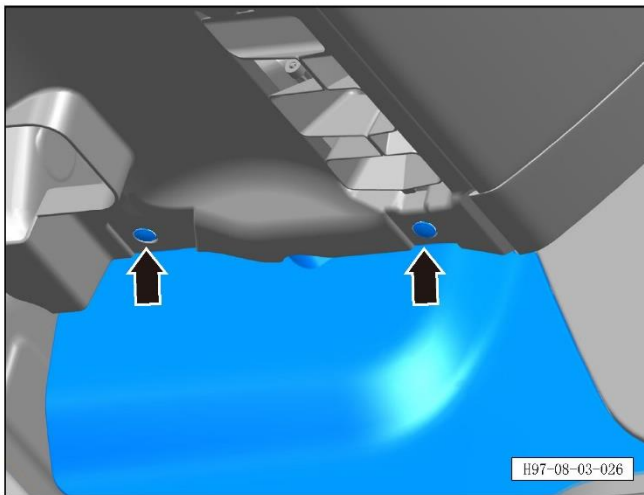
Removal procedure

Note:

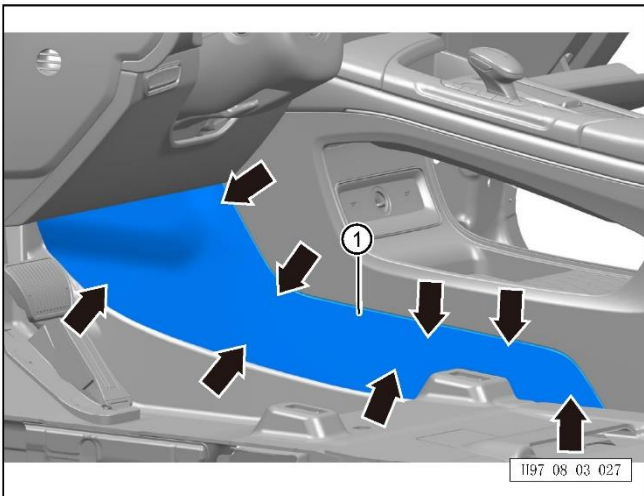
- The following is the removal and refitting of the left front extension plate assembly, which can be referred to for the operations on the right side.

1. Remove the left front extension plate assembly.

a. Disengage 2 snap fasteners on the right side of the lower left bottom plate assembly of the instrument panel.



b. Disengage 8 fixing clips of the left front extension plate assembly, and take out the left front extension plate assembly ①.



Refitting procedure

The refitting procedure is performed in reverse order.

### 8.3.4.17 Removal and refitting of console side panel

Removal procedure

Note:

- The following is the removal and refitting of the console left panel, which can be referred to for the operations on the right side.

1. Remove the left front extension plate assembly (refer to [8.3.4.16 Removal and refitting of front extension plate assembly](#))

2. Remove the armrest box rear cover plate assembly (refer to [8.3.4.6 Removal and refitting of armrest box rear cover plate assembly](#))

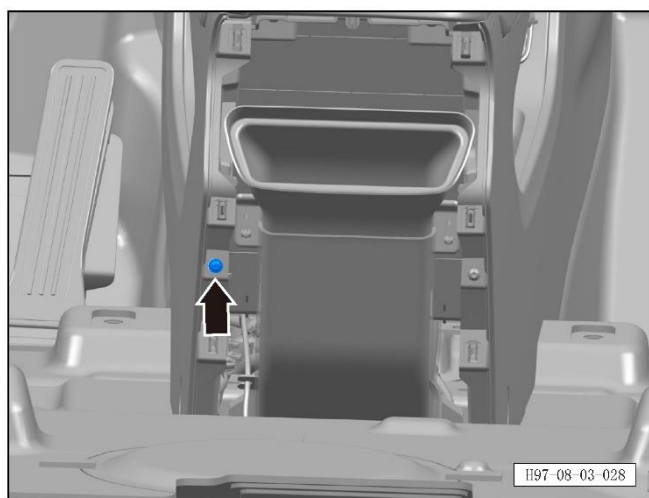
3. Remove the middle protective plate assembly (refer to [8.2.4.21 Removal and refitting of middle protective plate assembly](#))

4. Move the driver seat to the forefront and turn off the start switch.

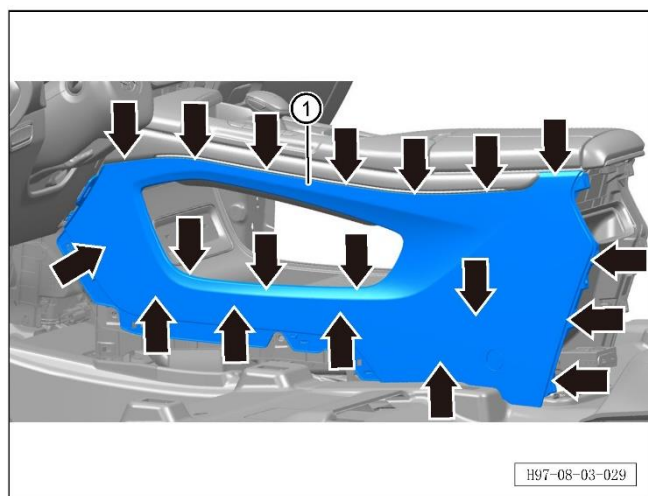
5. Remove the console left panel.

a. Unscrew 1 fixing screw at the rear of the console left panel.

Tightening torque of screw:  $2\pm 0.5\text{Nm}$ .



b. Disengage 19 fixing clips of the console left panel, and take out the console left panel ①.



## Refitting procedure

The refitting procedure is performed in reverse order.

### 8.3.4.18 Removal and refitting of side covering assembly

## Removal procedure

## Note:

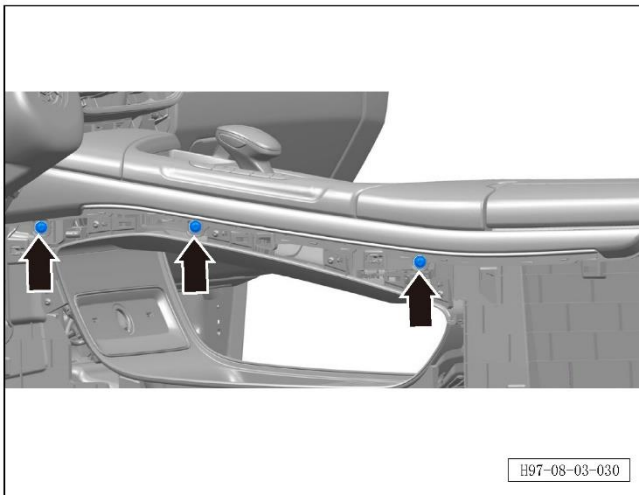
- The following is the removal and refitting of the left covering assembly, which can be referred to for the operations on the right side.

1. Remove the console left panel (refer to [8.3.4.17 Removal and refitting of console side panel](#))

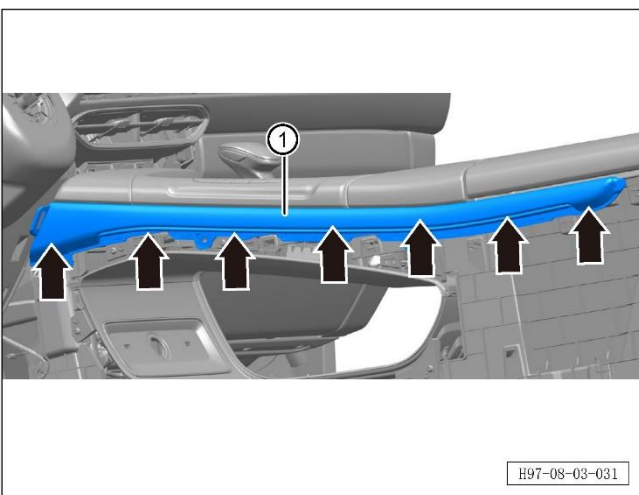
2. Remove the left covering assembly.

a. Unscrew 3 fixing screws of the left covering assembly.

Tightening torque of screw:  $2\pm 0.5\text{Nm}$ .



b. Disengage 7 fixing clips of the left covering assembly, and take out the left covering assembly ①.

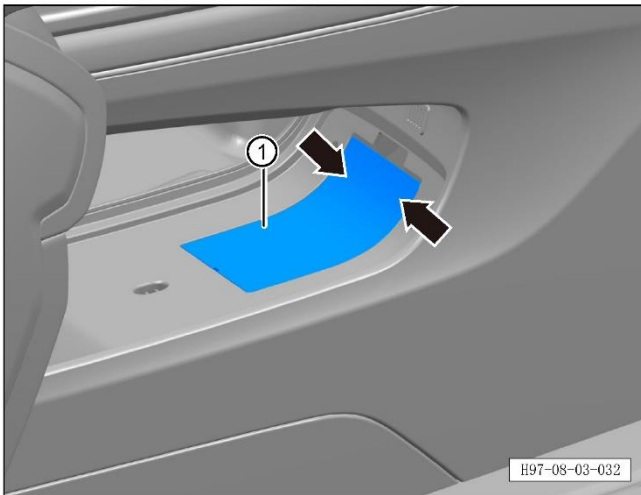


**Refitting procedure**

The refitting procedure is performed in reverse order.

**8.3.4.19 Removal and refitting of fragrance plug****Removal procedure**

1. Disengage 2 fixing clips of the fragrance plug, and take out the fragrance plug ①.

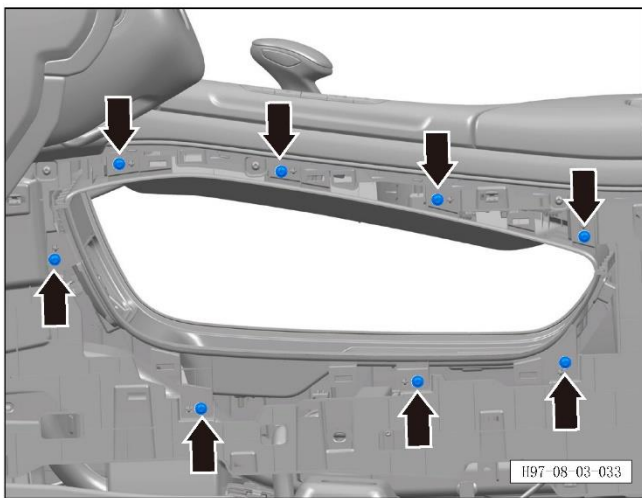
**Refitting procedure**

The refitting procedure is performed in reverse order.

### 8.3.4.20 Removal and refitting of axle hole assembly

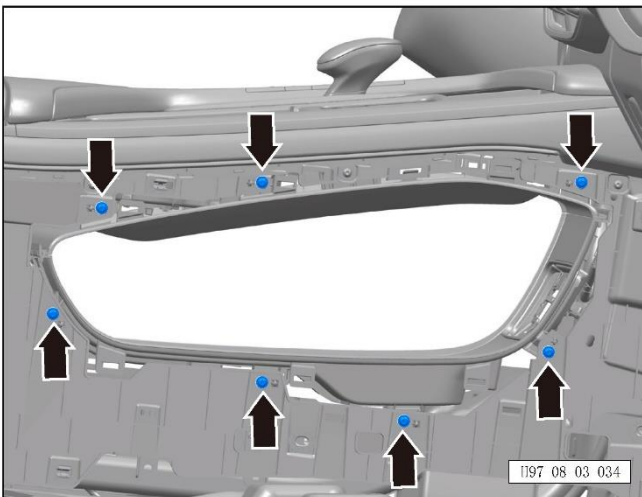
Removal procedure

1. Remove the console side panel (refer to [8.3.4.17 Removal and refitting of console side panel](#))
2. Remove the central armrest box pad (refer to [8.3.4.13 Removal and refitting of central armrest box pad](#))
3. Remove the USB cover plate (refer to [8.3.4.14 Removal and refitting of USB cover plate](#))
4. Remove the fragrance plug (refer to [8.3.4.19 Removal and refitting of fragrance plug](#))
5. Remove the axle hole assembly.



- a. Unscrew 8 fixing screws on the left side of the axle hole assembly.

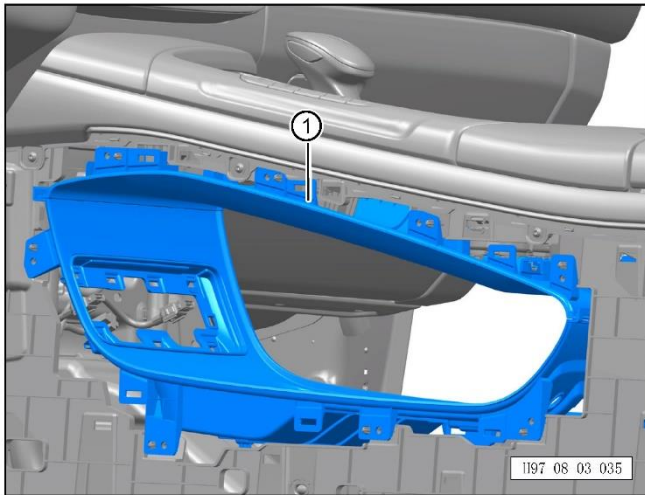
Tightening torque of screw:  $2\pm 0.5\text{Nm}$ .



- b. Unscrew 7 fixing screws on the right side of the axle hole assembly.

Tightening torque of screw:  $2\pm 0.5\text{Nm}$ .





c. Take out the axle hole assembly ① from the left side.

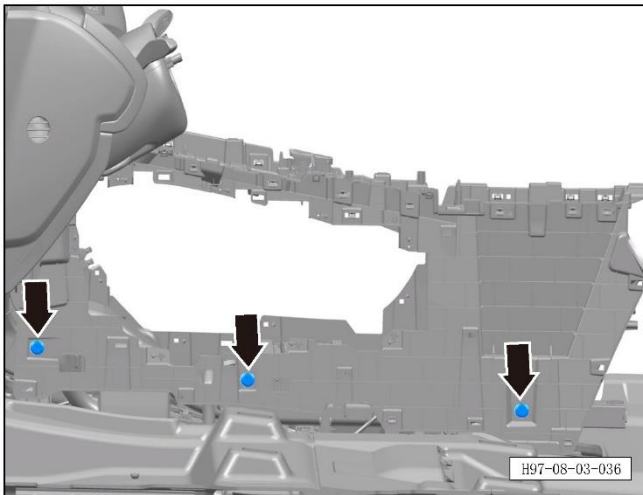
Refitting procedure

The refitting procedure is performed in reverse order.

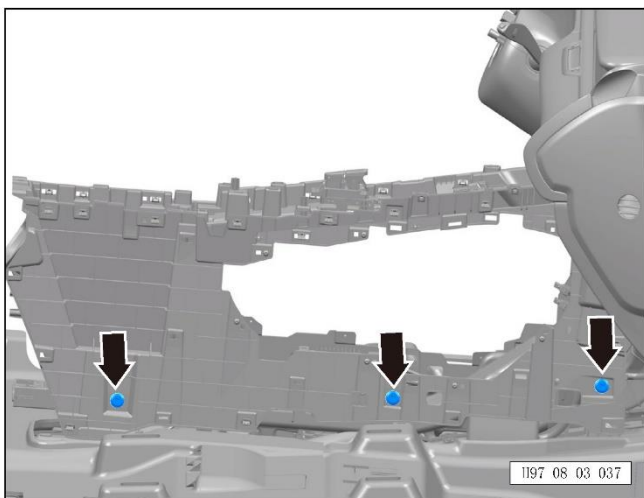
### **8.3.4.21 Removal and refitting of console panel frame**

Removal procedure

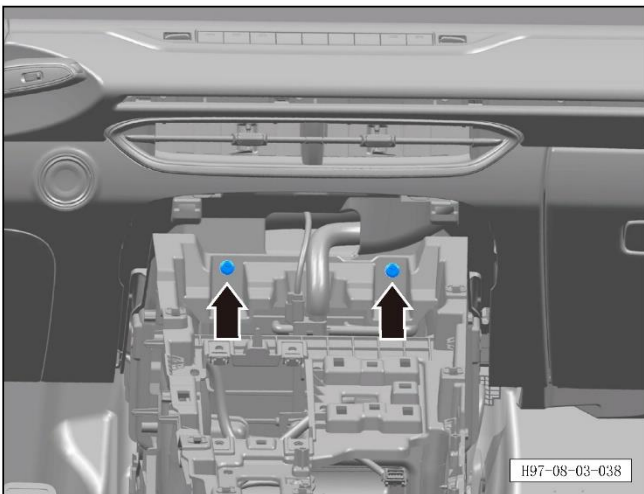
1. Remove the upper panel assembly (refer to [8.3.4.2 Removal and refitting of upper panel assembly](#))
2. Remove the EPB (refer to [9.6.8.3 Removal and refitting of EPB](#))
3. Remove the console panel combination switch (refer to [9.6.6.2 Removal and refitting of console panel combination switch](#))
4. Remove the gearshift mechanism assembly (refer to [6.7.10.2 Removal and refitting of gearshift mechanism assembly](#))
5. Remove the mobile phone wireless charging controller (refer to [9.4.6.1 Removal and refitting of mobile phone wireless charging controller](#))
6. Remove the touch panel (refer to [9.6.5.2 Removal and refitting of touch panel](#))
7. Remove the armrest box rear cover plate assembly (refer to [8.3.4.6 Removal and refitting of armrest box rear cover plate assembly](#))
8. Remove the armrest box assembly (refer to [8.3.4.11 Removal and refitting of armrest box assembly](#))
9. Remove the armrest box trim strip (refer to [8.3.4.12 Removal and refitting of armrest box trim strip](#))
10. Remove the roller blind cup holder assembly (refer to [8.3.4.15 Removal and refitting of roller blind door cup holder assembly](#))
11. Remove the front extension plate assembly (refer to [8.3.4.16 Removal and refitting of front extension plate assembly](#))
12. Remove the console side panel (refer to [8.3.4.17 Removal and refitting of console side panel](#))
13. Remove the side covering assembly (refer to [8.3.4.18 Removal and refitting of side covering assembly](#))
14. Remove the axle hole assembly (refer to [8.3.4.20 Removal and refitting of axle hole assembly](#))
15. Remove the console panel frame.



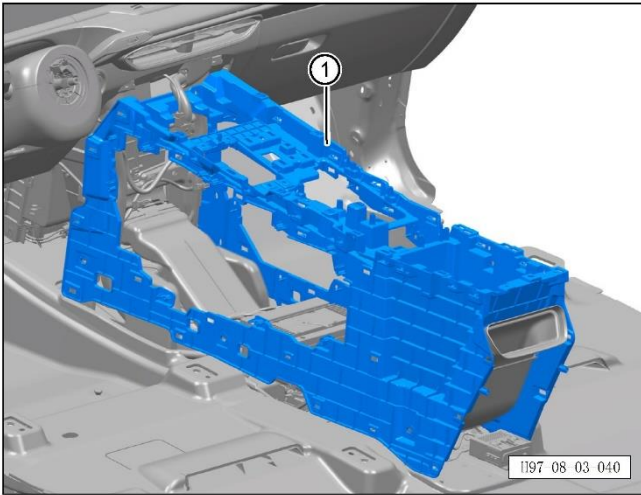
- a. Unscrew 3 fixing bolts on the left side of the console panel frame.  
Tightening torque of bolt:  $6\pm 1\text{Nm}$ .



- b. Unscrew 3 fixing bolts on the right side of the console panel frame.  
Tightening torque of bolt:  $6\pm 1\text{Nm}$ .



- c. Unscrew 2 fixing bolts at the front of the console panel frame.  
Tightening torque of bolt:  $6\pm 1\text{Nm}$ .



d. Take out the console panel frame ①.

Refitting procedure

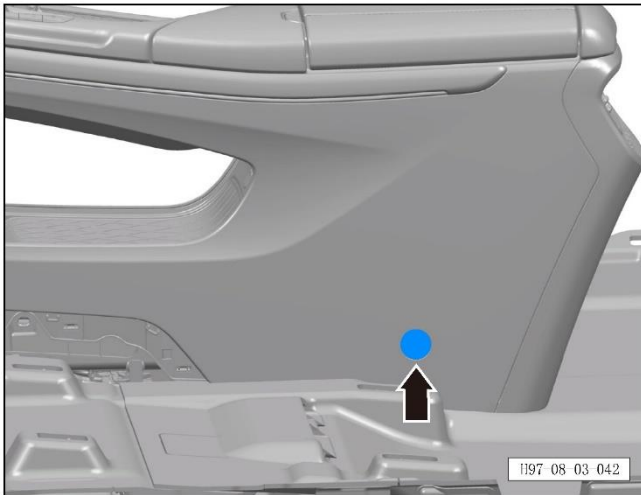
The refitting procedure is performed in reverse order.

### 8.3.4.22 Removal and refitting of console panel assembly

Removal procedure

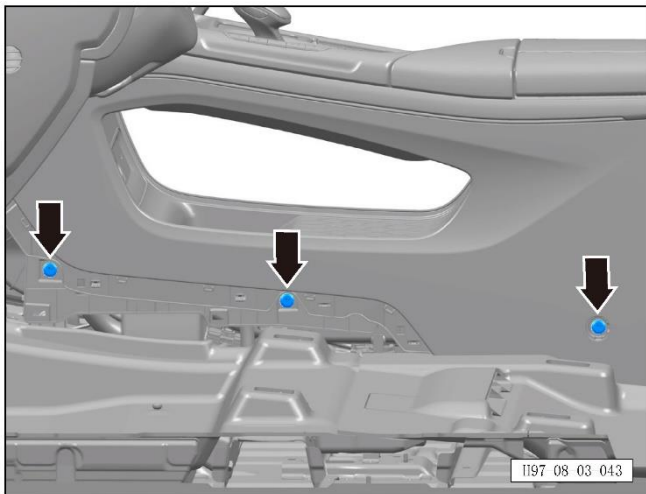
1. Remove the upper panel assembly (refer to [8.3.4.2 Removal and refitting of upper panel assembly](#))
2. Remove the front extension plate assembly (refer to [8.3.4.16 Removal and refitting of front extension plate assembly](#))
3. Remove the middle protective plate assembly (refer to [8.2.4.21 Removal and refitting of middle protective plate assembly](#))
4. Remove the console panel assembly.

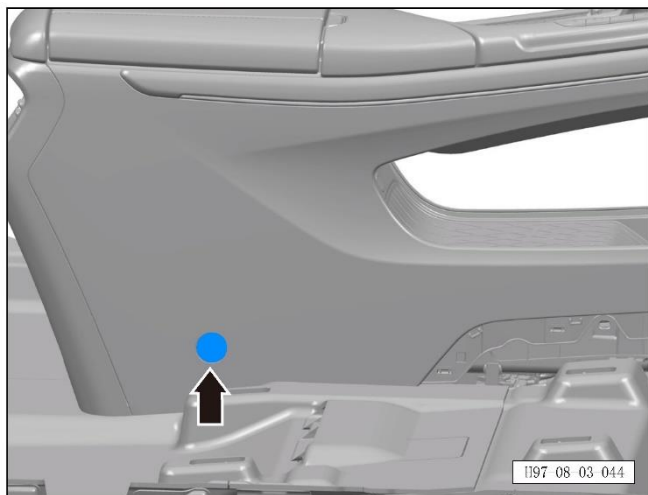
a. Remove the left side panel plug.



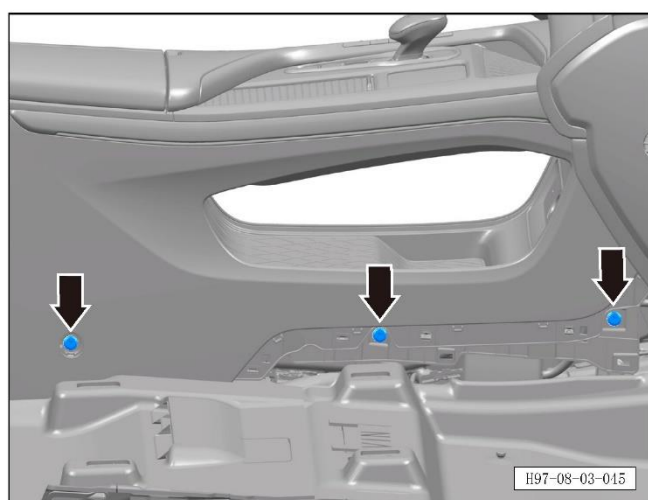
b. Unscrew 3 fixing bolts on the left side of the console panel assembly.

Tightening torque of bolt:  $6\pm 1\text{Nm}$ .



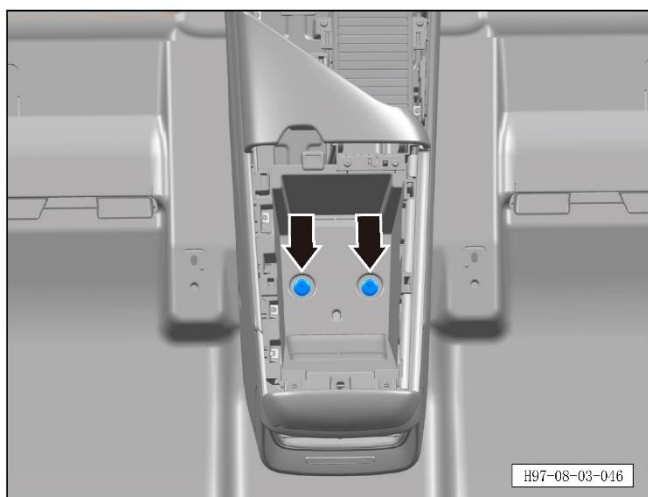


c. Remove the right side panel plug.



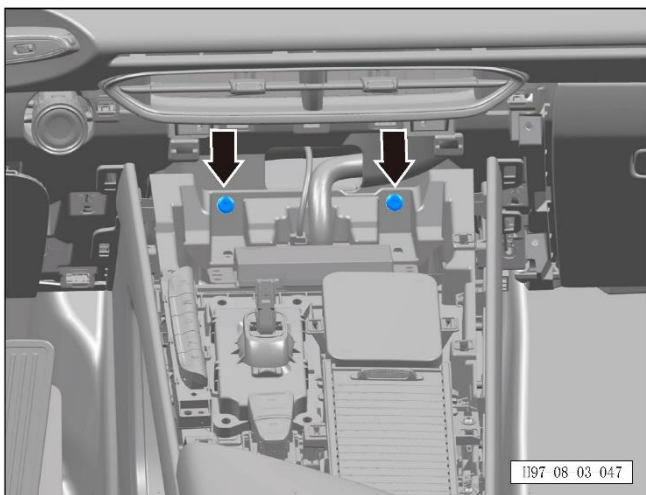
d. Unscrew 3 fixing bolts on the right side of the console panel assembly.

Tightening torque of bolt:  $6\pm 1\text{Nm}$ .



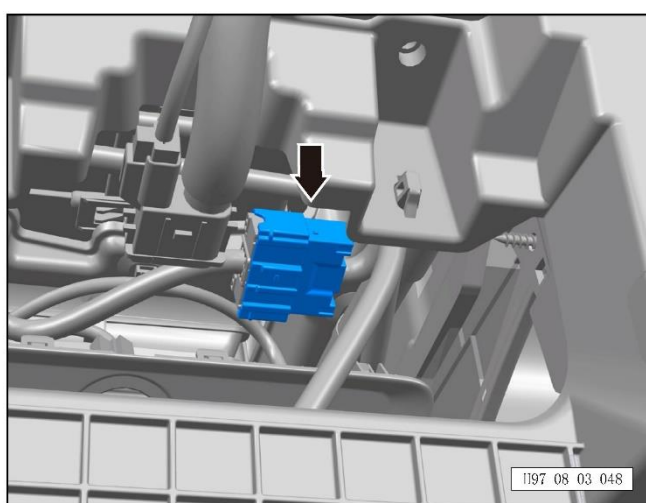
e. Open the armrest box cover, take out the armrest box pad, and unscrew 2 fixing bolts of the armrest box base.

Tightening torque of bolt:  $6\pm 1\text{Nm}$ .

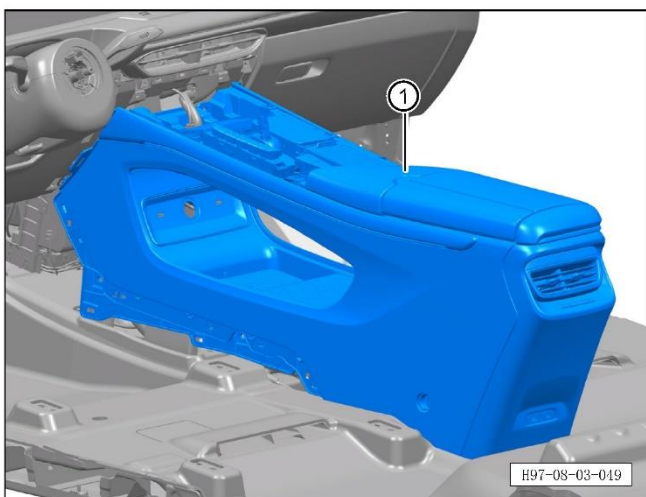


f. Unscrew 2 fixing bolts at the front of the console panel assembly.

Tightening torque of bolt:  $6\pm 1\text{Nm}$ .



g. Move the console panel assembly backwards and disconnect the harness connectors of the instrument panel and console panel.



h. Take out the console panel assembly ①.

Refitting procedure

The refitting procedure is performed in reverse order.

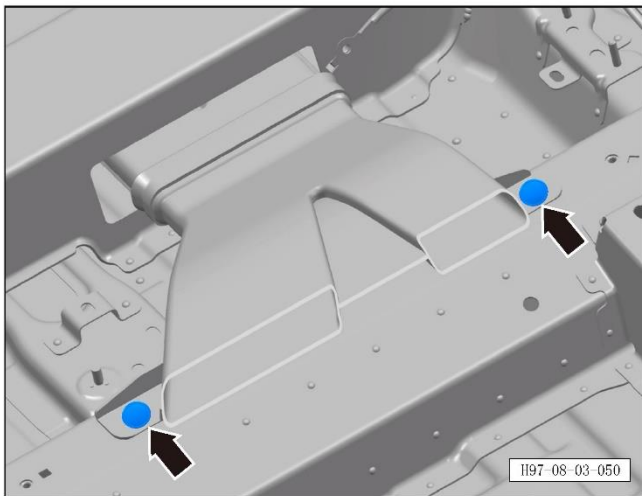
### 8.3.4.23 Removal and refitting of rear section of rear foot blowing duct

Removal procedure

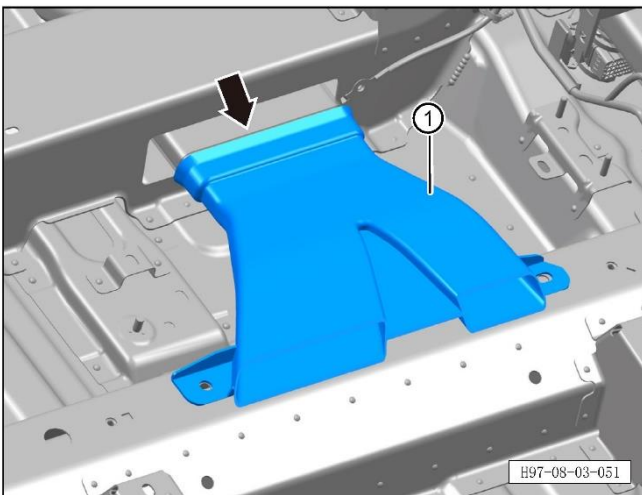
Note:

- The following is the removal and refitting of the rear section of the left rear foot blowing duct, which can be referred to for the operations on the right side.

1. Remove the front left seat assembly (refer to [8.1.3.1 Removal and refitting of front seat assembly](#))
2. Remove the rear section of the left rear blowing duct.



- a. Uncover the front of the rear carpet and remove 2 fixing rivets on the rear section of the left rear foot blowing duct.



- b. Disconnect the rear section of the left rear foot blowing duct ① from the middle section of the left rear foot blowing duct and take it out.

Refitting procedure

The refitting procedure is performed in reverse order.



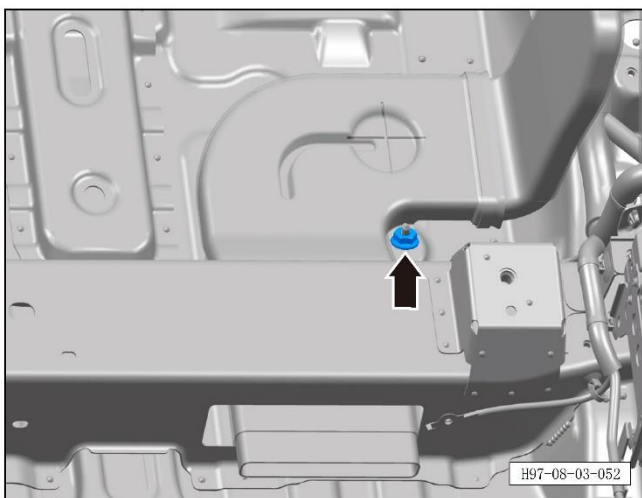
### 8.3.4.24 Removal and refitting of middle section assembly of rear foot blowing pipe

Removal procedure

Note:

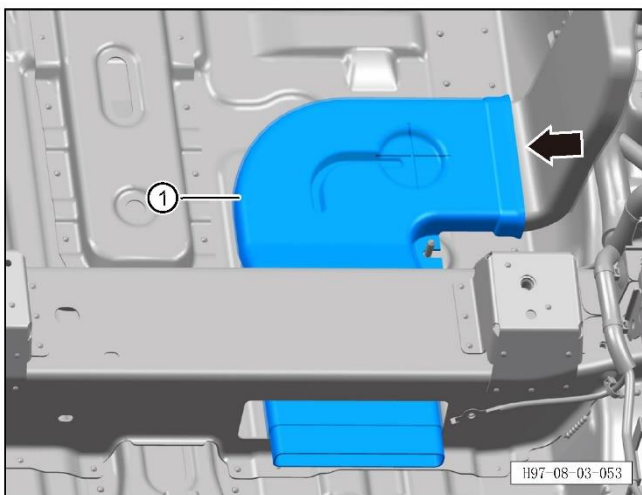
- The following is the removal and refitting of the middle section of the left rear foot blowing duct, which can be referred to for the operations on the right side.

1. Remove the front left seat assembly (refer to [8.1.3.1 Removal and refitting of front seat assembly](#))
2. Remove the rear section of the left rear blowing duct (refer to [8.3.4.23 Removal and refitting of rear section of rear foot blowing duct](#))
3. Remove the middle section assembly of the left rear foot blowing duct.



- a. Uncover the rear of the front carpet and remove 1 fixing nut of the middle section assembly of the left rear foot blowing duct.

Tightening torque of nut:  $3.5 \pm 0.5 \text{ Nm}$ .



- b. Disconnect the middle assembly of the left rear foot blowing pipe ① from the front section of the left rear foot blowing pipe and take it out.

Refitting procedure

The refitting procedure is performed in reverse order.

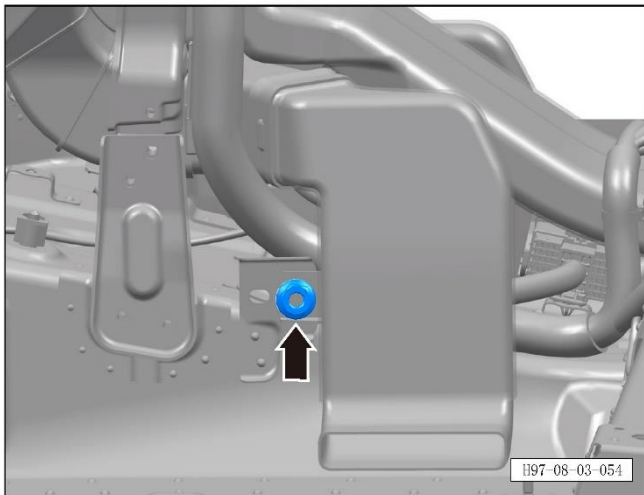
### 8.3.4.25 Removal and refitting of front section of rear foot blowing duct

Removal procedure

Note:

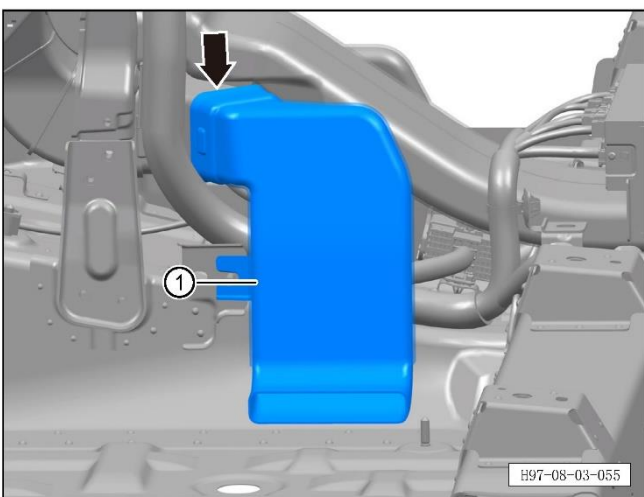
- The following is the removal and refitting of the front section assembly of the left rear foot blowing duct, which can be referred to for the operations on the right side.

1. Remove the console assembly (refer to [8.3.4.22 Removal and refitting of console assembly](#))
2. Remove the middle section assembly of the left rear foot blowing duct (refer to [8.3.3.24 Removal and refitting of middle section of foot blowing duct](#))
3. Remove the front section assembly of the left rear foot blowing duct.



- a. Remove 1 fixing nut of the front section assembly of the left rear foot blowing duct.

Tightening torque of nut:  $3.5 \pm 0.5 \text{ Nm}$ .



- b. Disconnect the front section assembly of the left rear foot blowing duct ① from the splitter assembly of the rear foot blowing duct and take it out.

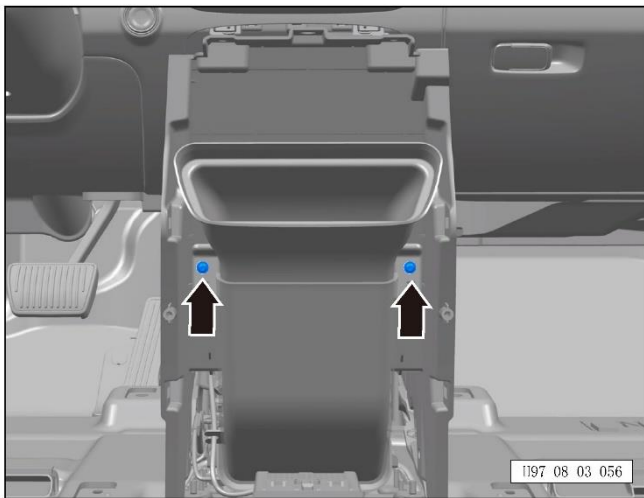
Refitting procedure

The refitting procedure is performed in reverse order.

### 8.3.4.26 Removal and refitting of rear section of rear face blowing duct

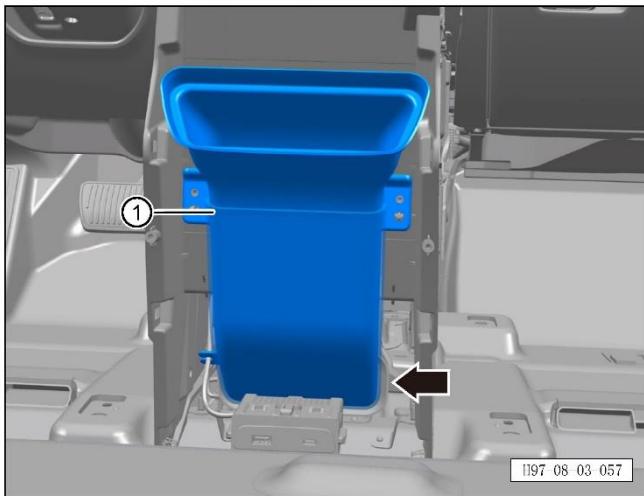
Removal procedure

1. Remove the armrest box rear cover plate assembly (refer to [8.3.4.6 Removal and refitting of armrest box rear cover plate assembly](#))
2. Remove the rear section of the rear face blowing duct.



- a. Remove 2 fixing screws at the rear section of the rear face blowing duct.

Tightening torque of screw:  $2\pm 1\text{Nm}$ .



- b. Disconnect the rear section of the rear face blowing duct ① from the front section assembly of the rear face blowing duct and take it out.

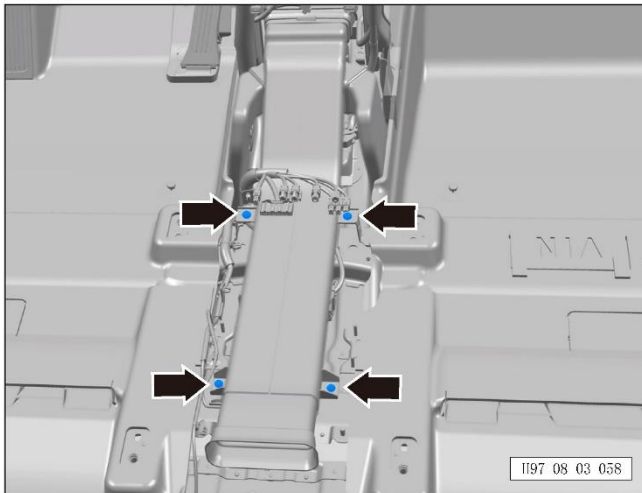
Refitting procedure

The refitting procedure is performed in reverse order.

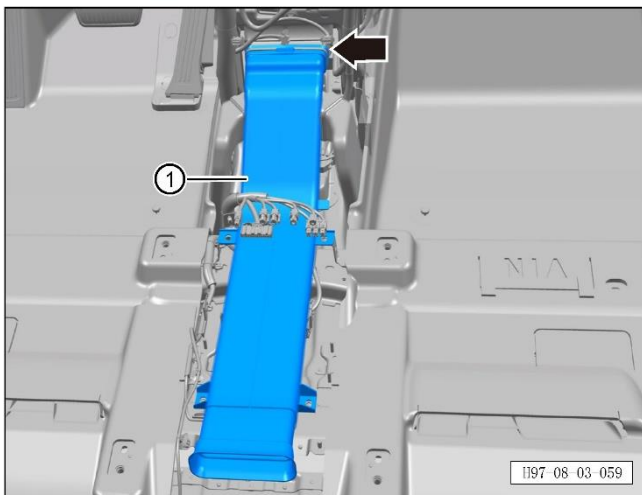
### 8.3.4.27 Removal and refitting of front section assembly of rear face blowing duct

Removal procedure

1. Remove the console assembly (refer to [8.3.4.22 Removal and refitting of console assembly](#))
2. Remove the rear section of the rear face blowing duct (refer to [8.3.4.26 Removal and refitting of rear section of rear face blowing duct](#))
3. Remove the front section assembly of the rear face blowing duct.



- a. Remove 4 fixing rivets of the front section assembly of the rear face blowing duct.



- b. Disconnect the front section assembly of the rear face blowing duct ① from the HVAC assembly and take it out.

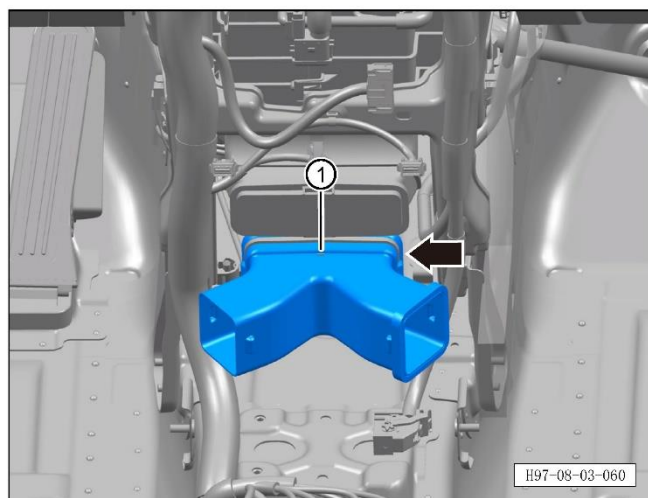
Refitting procedure

The refitting procedure is performed in reverse order.

### 8.3.4.28 removal and refitting of splitter assembly of rear foot blowing duct

Removal procedure

1. Remove the console assembly (refer to [8.3.4.22 Removal and refitting of console assembly](#))
2. Remove the front section assembly of the rear face blowing duct (refer to [8.3.4.27 Removal and refitting of front section assembly of rear face blowing duct](#))
3. Remove the front section assembly of the rear foot blowing duct (refer to [8.3.4.25 Removal and refitting of front section assembly of rear foot blowing duct](#))
4. Remove the splitter assembly of the rear foot blowing duct.



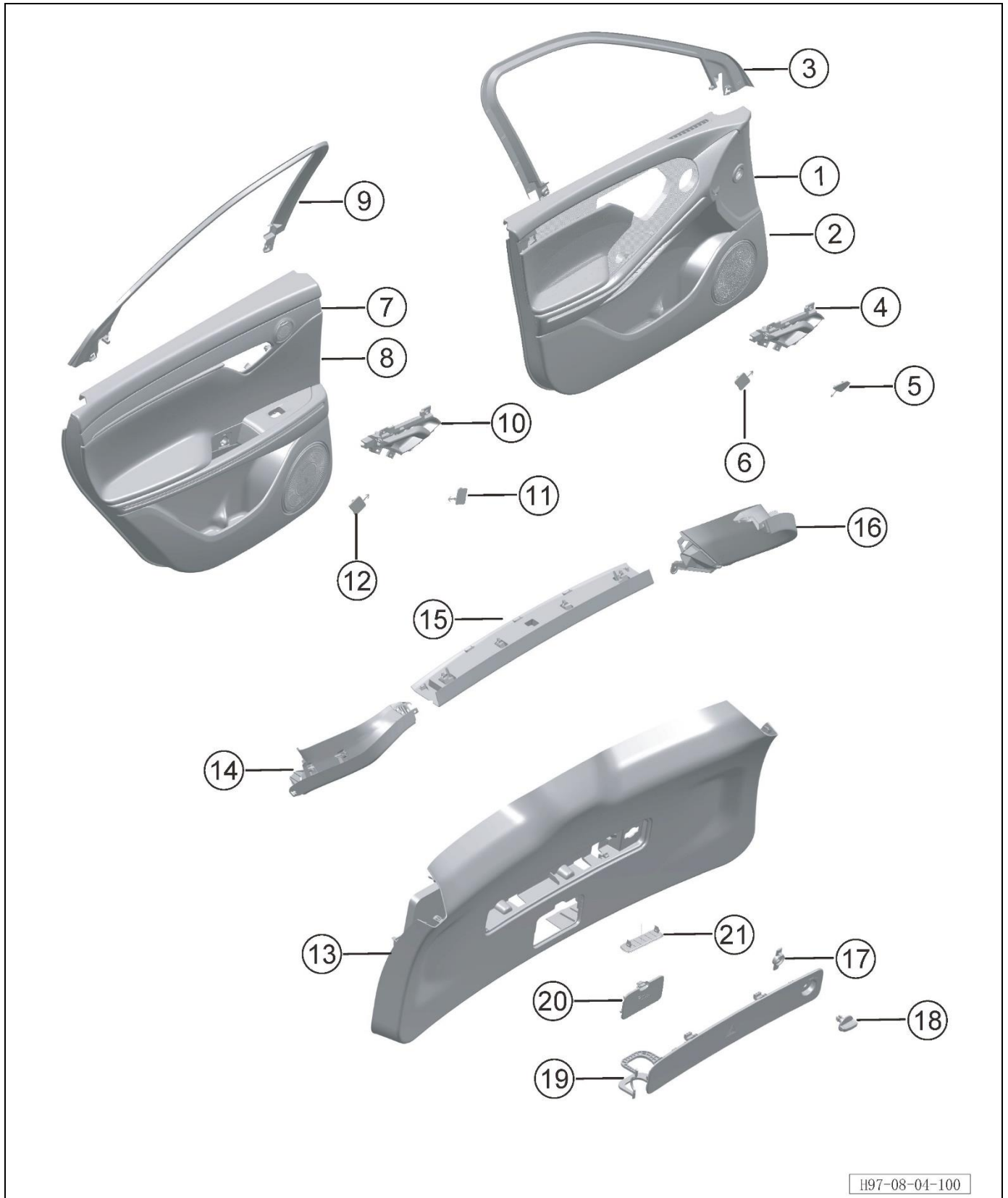
- a. Disconnect the splitter assembly of the rear foot blowing duct ① from the HVAC assembly and take it out.

Refitting procedure

The refitting procedure is performed in reverse order.

### 8.4 Door trim panel system

#### 8.4.1 Exploded view



S/N	Part name	Loading quantity	Remarks
1	Front door inner trim panel assembly	2	REV
2	Front door inner trim panel assembly	2	EV
3	Front door frame upper trim assembly	2	
4	Front door inner handle assembly	2	
5	Front door inner handle screw cover	2	
6	Front door handle screw cover	2	
7	Rear door inner trim panel assembly	2	REV
8	Rear door inner trim panel assembly	2	EV
9	Rear door frame upper trim assembly	2	
10	Rear door inner assembly	2	
11	Rear door inner screw cover	2	
12	Rear door inner handle screw cover	2	
13	Tailgate lower trim panel assembly	1	
14	Tailgate left trim panel assembly	1	
15	Tailgate upper trim panel assembly	1	
16	Tailgate right trim panel assembly	1	
17	Tailgate emergency handle cover	1	
18	Tailgate warning triangle cover body	1	
19	Tailgate warning triangle cover knob	1	
20	Tailgate warning triangle cover knob fixing plate	1	
21	Tailgate handle cover	1	

## 8.4.2 Front door trim panel assembly

### 8.4.2.1 Removal and refitting of front door trim panel assembly

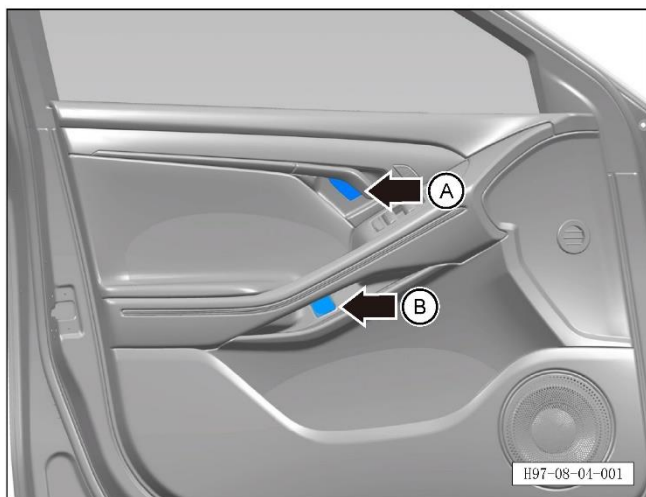
Removal procedure

Note:

- The following is the removal and refitting of the left front door trim panel assembly, which can be referred to for the operations on the right side.

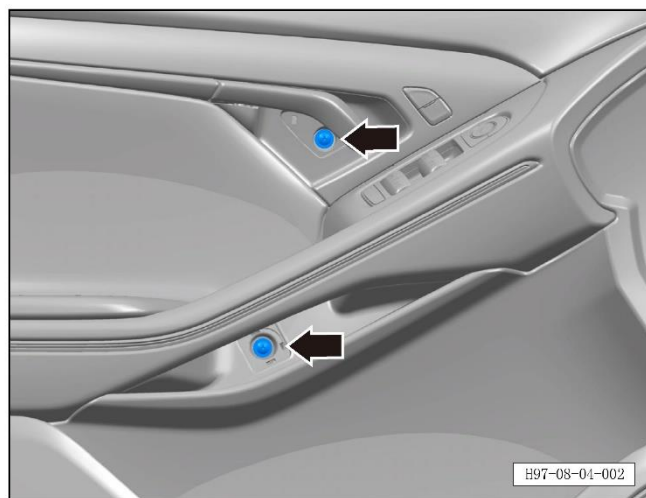
1. Remove the left front door trim panel assembly.

a. Remove the left door inner handle screw cover A and the left door handle screw cover B.

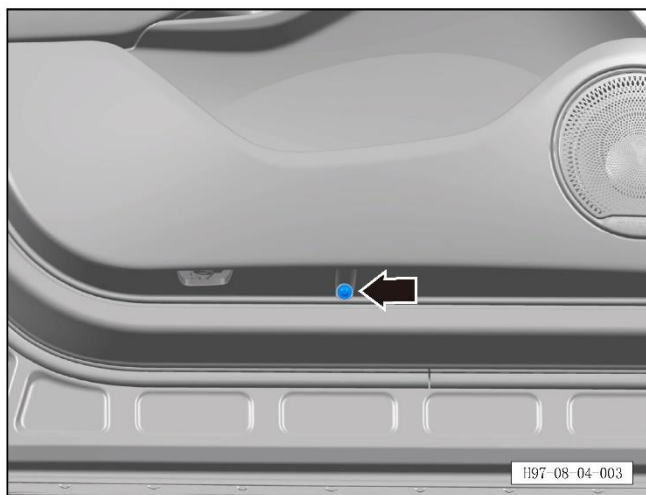


b. Unscrew 2 fixing screws in the middle of the left front door trim panel assembly.

Tightening torque of screw:  $2\pm 0.5\text{Nm}$ .

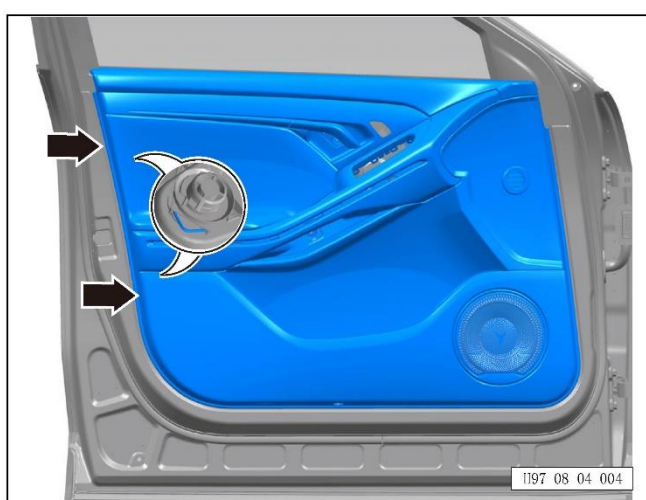




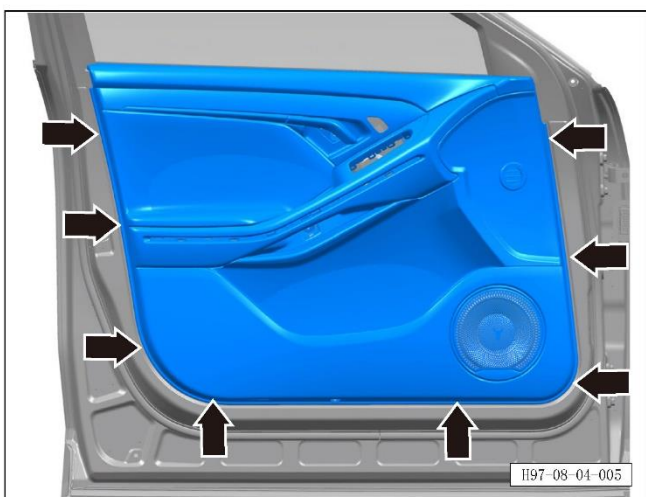


c. Unscrew 1 fixing screw at the bottom of the left front door trim panel assembly.

Tightening torque of screw:  $2\pm 0.5\text{Nm}$ .

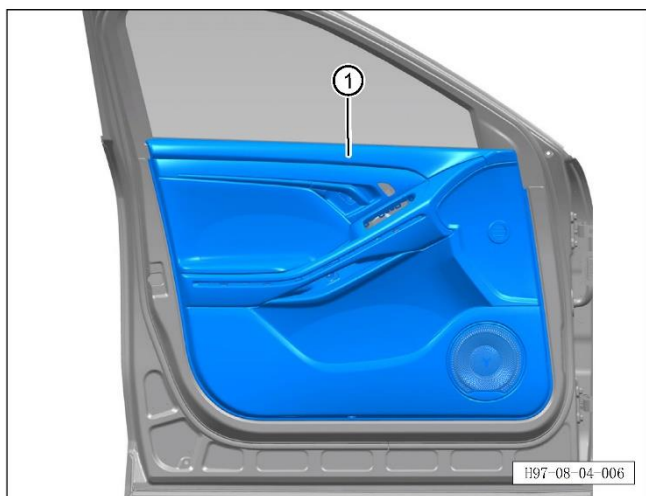


d. Use the SST (H976100A00) for crashproof clips of the door trim panel to remove the fixing pins of 2 crashproof clips, and then disengage 2 fixing crashproof clips of the left front door trim panel assembly.



e. Disengage 8 fixing waterproof clips at the bottom of the left front door trim panel assembly.

- f. Remove the left front door floor lamp (refer to [9.9.9.1 Removal and refitting of front door floor lamp](#))
- g. Remove the left front door ambient lamp control module (refer to [9.9.8.3 Removal and refitting of door ambient lamp control module](#))
- h. Remove the left front door power window switch (refer to [9.6.1.4 Removal and refitting of left front door power window switch](#))
- i. Remove the central lock switch (refer to [9.6.2.4 Removal and refitting of central lock switch](#))
- j. Remove the left front door inner release handle cable (refer to [7.2.4.13 Removal and refitting of front door lock body](#))



- k. Remove left front door trim panel assembly ①.

#### Refitting procedure

The refitting procedure is performed in reverse order.

#### CAUTION:

- Check the fixing clips for damage and replace them if necessary.

### 8.4.2.2 Removal and refitting of front door side defroster assembly

Removal procedure

Note:

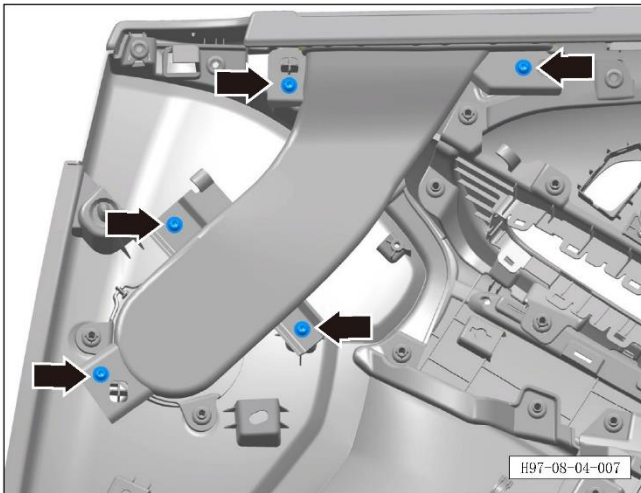
- The following is the removal and refitting of the left front door side defroster assembly, which can be referred to for the operations on the right side.

1. Remove the left front door trim panel assembly (refer to [8.4.2.1 Removal and refitting of front door trim panel assembly](#))

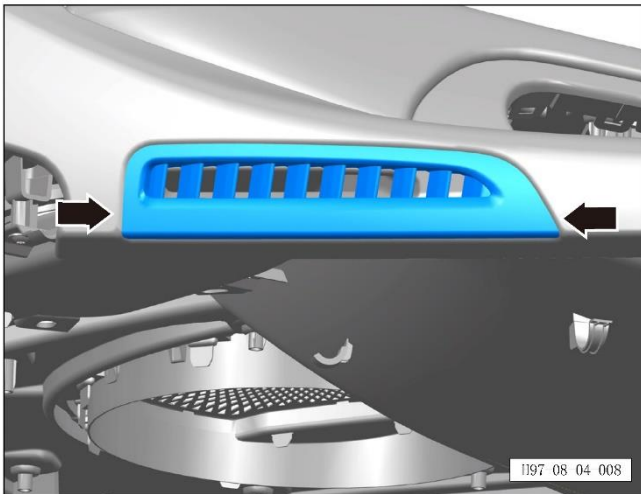
2. Remove the left front door side defroster assembly.

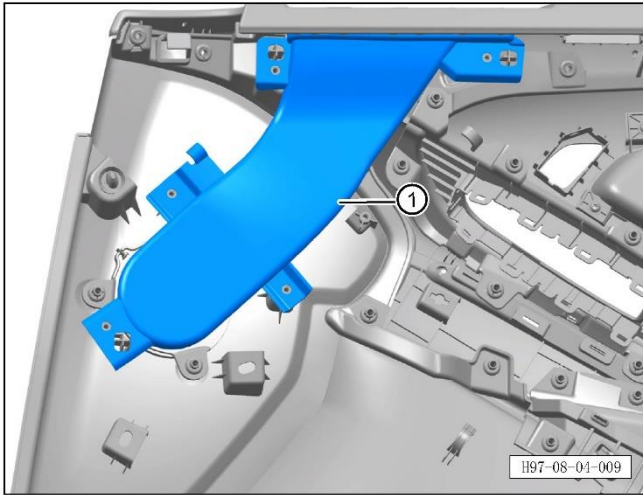
a. Unscrew 5 fixing screws of the left front door side defroster assembly.

Tightening torque of screw:  $2\pm 0.5\text{Nm}$ .



b. Remove 2 fixing clips of the left front door side defroster grille, and take out the left front door side defroster grille.





- c. Take out the left front door side defroster assembly  
①.

Refitting procedure

The refitting procedure is performed in reverse order.

### 8.4.2.3 Removal and refitting of front inner release handle assembly

Removal procedure

Note:

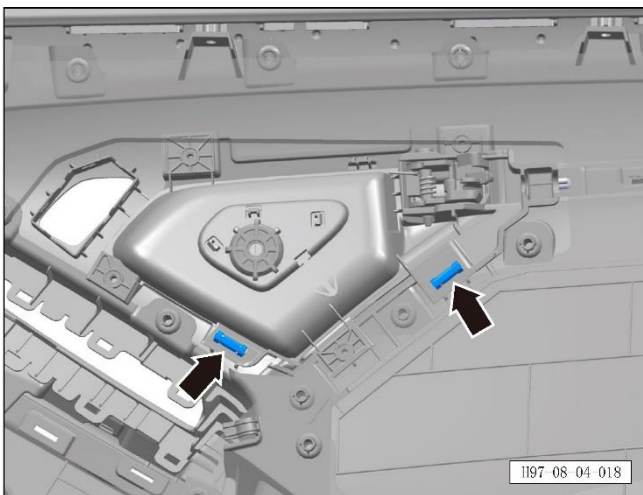
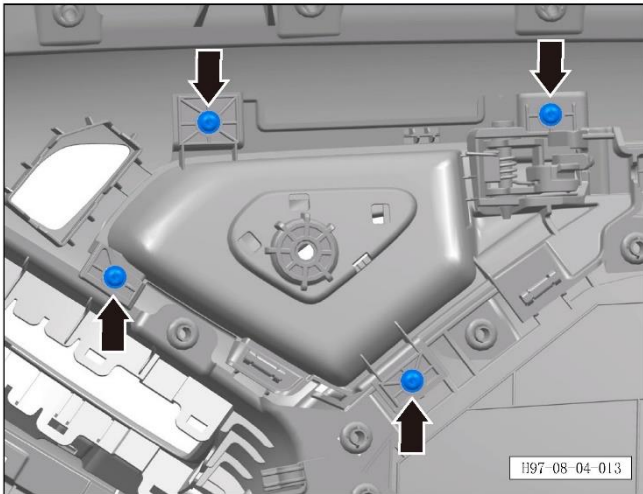
- The following is the removal and refitting of the left front inner release handle assembly, which can be referred to for the operations on the right side.

1. Remove the left front door trim panel assembly (refer to [8.4.2.1 Removal and refitting of front door trim panel assembly](#))

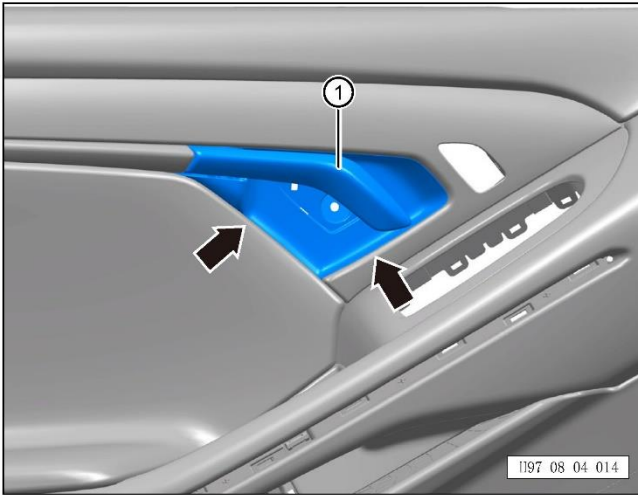
2. Remove the left front inner release handle assembly.

a. Unscrew 4 fixing screws of the left front inner release handle assembly.

Tightening torque of screw:  $2\pm 0.5\text{Nm}$



b. Disengage 2 fixing clips of the left front inner release handle assembly.



b. Remove the left front inner release handle assembly ①.

Refitting procedure

The refitting procedure is performed in reverse order.

#### 8.4.2.4 Removal and refitting of front door frame upper trim assembly

Removal procedure

Note:

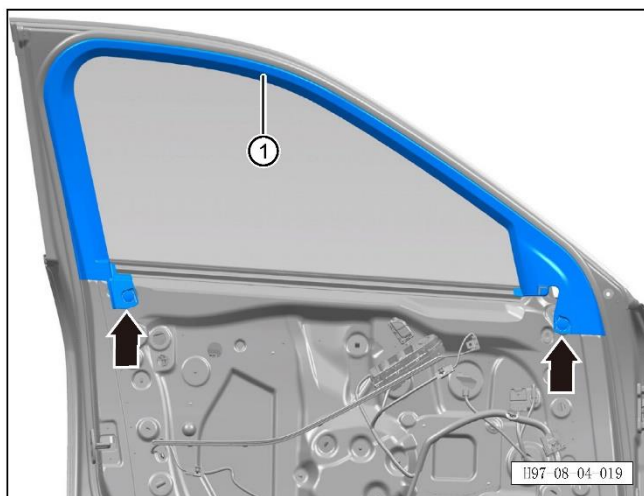
- The following is the removal and refitting of the left front door frame upper trim assembly, which can be referred to for the operations on the right side.

1. Remove the left front door trim panel assembly (refer to [8.4.2.1 Removal and refitting of front door trim panel assembly](#))

2. Remove the left front door frame upper trim assembly.

a. Disengage 2 fixing clips of the left front door frame upper trim assembly.

b. Remove the left front door frame upper trim assembly ①.



Refitting procedure

The refitting procedure is performed in reverse order.

**CAUTION:**

- Check the fixing clips for damage and replace them if necessary.

### 8.4.3 Rear door trim panel assembly

#### 8.4.3.1 Removal and refitting of rear door trim panel assembly

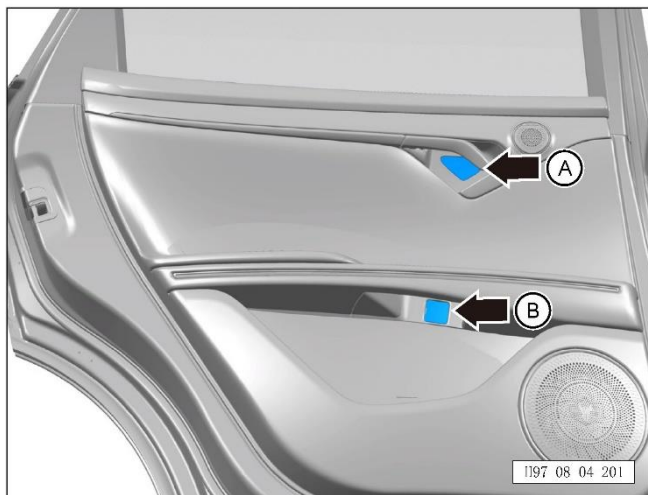
Removal procedure

Note:

- The following is the removal and refitting of the left rear door trim panel assembly, which can be referred to for the operations on the right side.

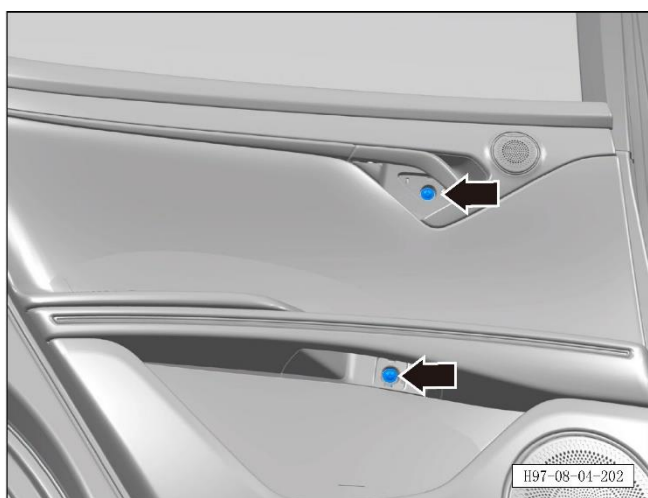
1. Remove the rear door trim panel assembly.

a. Remove the left door inner handle screw cover A and the left door handle screw cover B.



b. Unscrew 2 fixing screws in the middle of the left rear door trim panel assembly.

Tightening torque of screw:  $2\pm 0.5\text{Nm}$ .

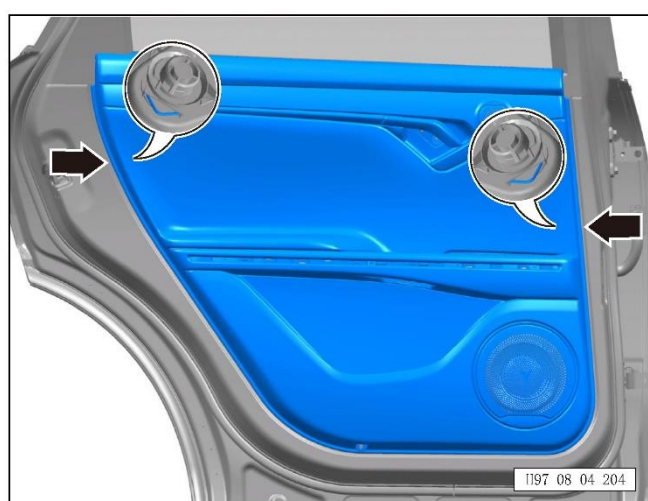




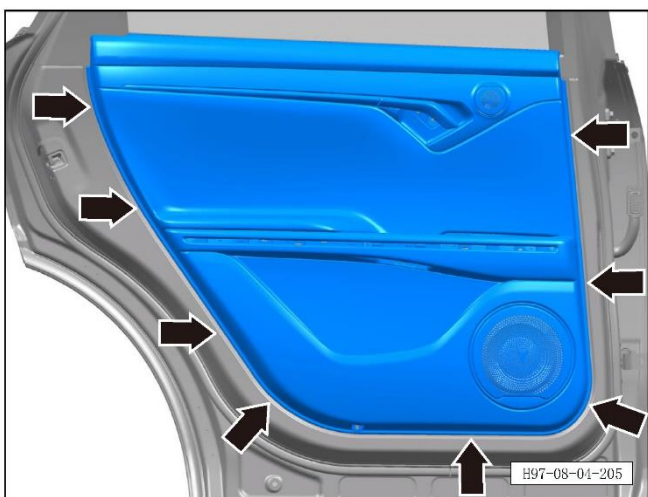


c. Unscrew 1 fixing screw at the bottom of the left rear door trim panel assembly.

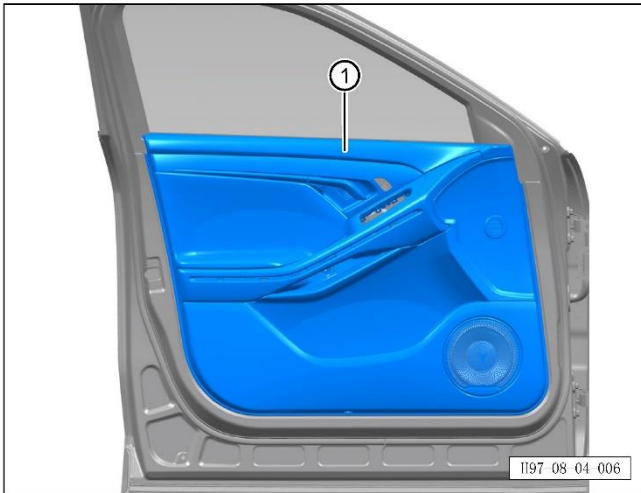
Tightening torque of screw:  $2\pm 0.5\text{Nm}$ .



d. Use the SST to remove the fixing pins of 2 crashproof clips, and then disengage 2 fixing crashproof clips of the left rear door trim panel assembly.



e. Disengage 8 fixing waterproof clips at the bottom of the left rear door trim panel assembly.



- f. Remove the left rear door ambient lamp (refer to [9.9.8.1 Removal and refitting of door handle ambient lamp](#))
- g. Remove the left rear door power window switch (refer to [9.6.1.5 Removal and refitting of right front door power window switch](#))
- h. Remove the left rear door inner release handle cable (refer to [7.3.4.11 Removal and refitting of rear door lock body assembly](#))
- i. Remove the left rear door trim panel assembly ①.

#### Refitting procedure

The refitting procedure is performed in reverse order.

#### CAUTION:

- Check the fixing clips for damage and replace them if necessary.

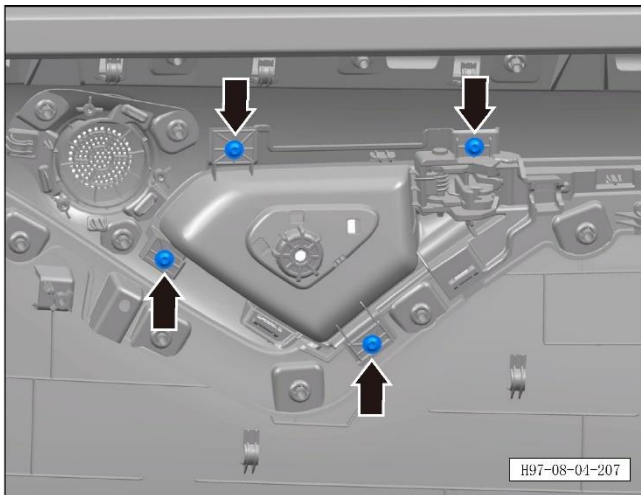
#### 8.4.3.2 Removal and refitting of front inner release handle assembly

##### Removal procedure

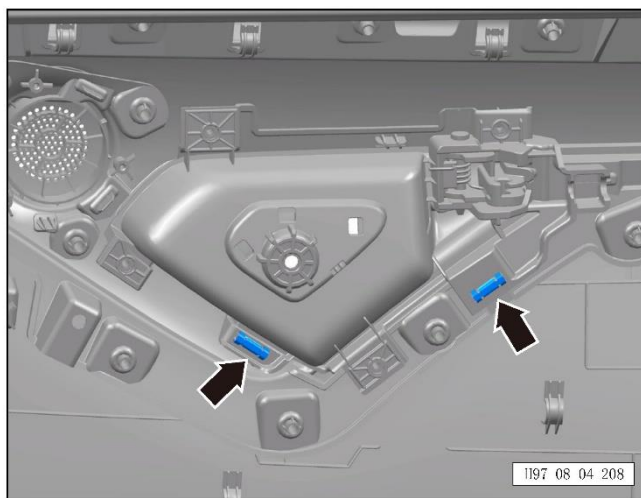
##### Note:

- The following is the removal and refitting of the left rear inner release handle assembly, which can be referred to for the operations on the right side.

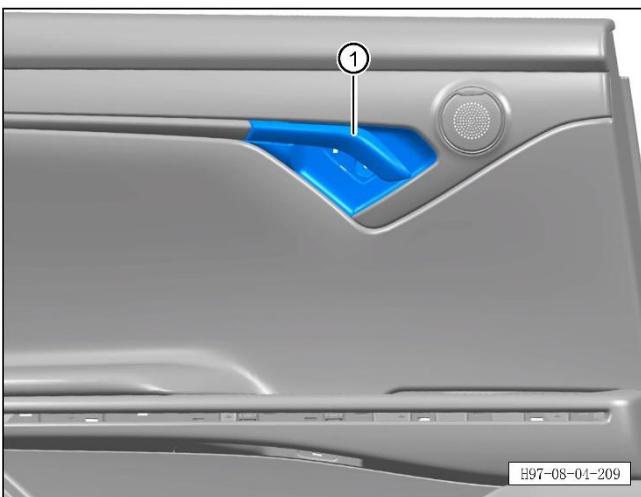
1. Remove the left rear door trim panel assembly (refer to [8.4.3.1 Removal and refitting of rear door trim panel assembly](#))
2. Remove the left rear inner release handle assembly.



- a. Unscrew 4 fixing screws of the left rear inner release handle assembly.  
Tightening torque of screw:  $2\pm 0.5\text{Nm}$ .



- b. Disengage 2 fixing clips of the left rear inner release handle assembly.



- c. Remove the left rear inner release handle assembly ①.

Refitting procedure

The refitting procedure is performed in reverse order.

### 8.4.3.3 Removal and refitting of rear door frame upper trim assembly

Removal procedure

Note:

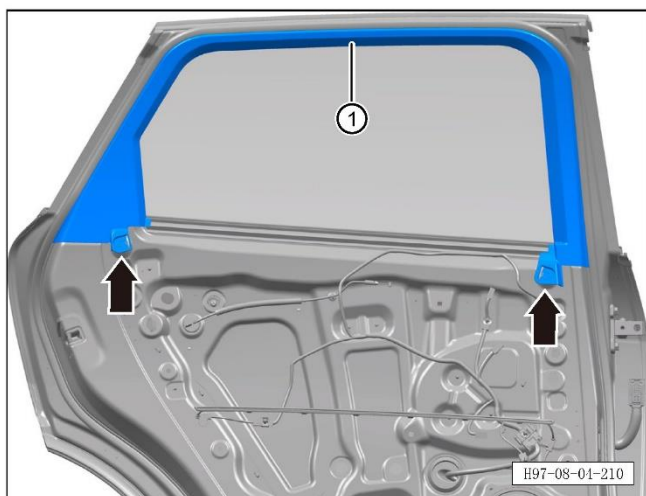
- The following is the removal and refitting of the left rear door frame upper trim assembly, which can be referred to for the operations on the right side.

1. Remove the left rear door trim panel assembly (refer to [8.4.3.1 Removal and refitting of rear door trim panel assembly](#))

2. Remove the left rear door frame upper trim assembly.

a. Disengage 2 fixing clips of the left rear door frame upper trim assembly.

b. Remove the left rear door frame upper trim assembly ①.



Refitting procedure

The refitting procedure is performed in reverse order.

CAUTION:

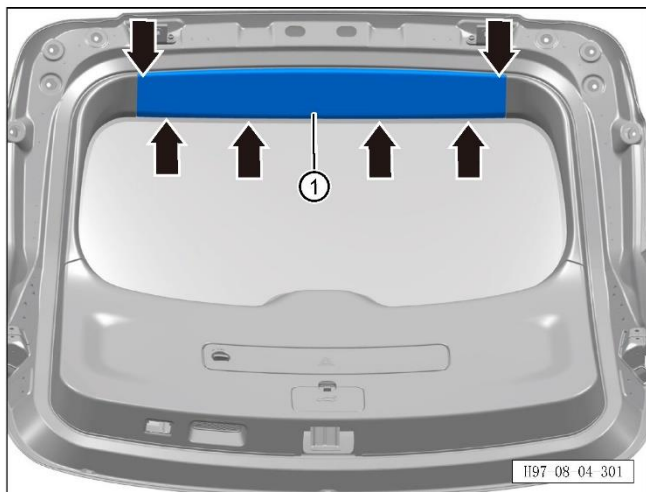
- Check the fixing clips for damage and replace them if necessary.

### 8.4.4 Tailgate trim panel assembly

#### 8.4.4.1 Removal and refitting of tailgate upper trim panel assembly

Removal procedure

1. Open the tailgate.
2. Remove the tailgate upper trim panel assembly.
  - a. Disengage 6 fixing clips of the tailgate upper trim panel assembly.
  - b. Remove the tailgate upper trim panel assembly ①.



Refitting procedure

The refitting procedure is performed in reverse order.

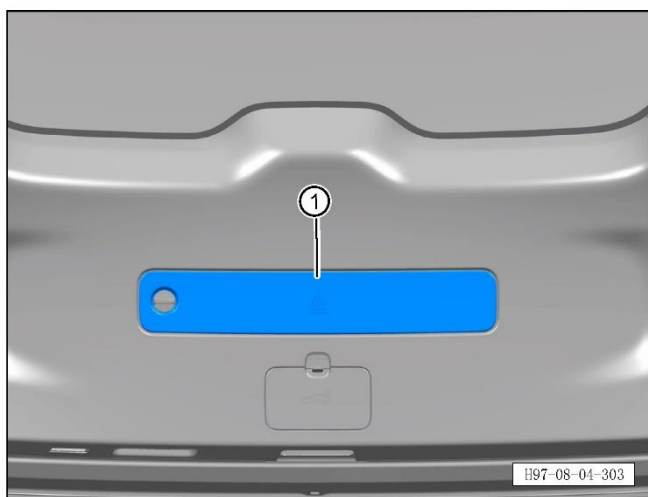
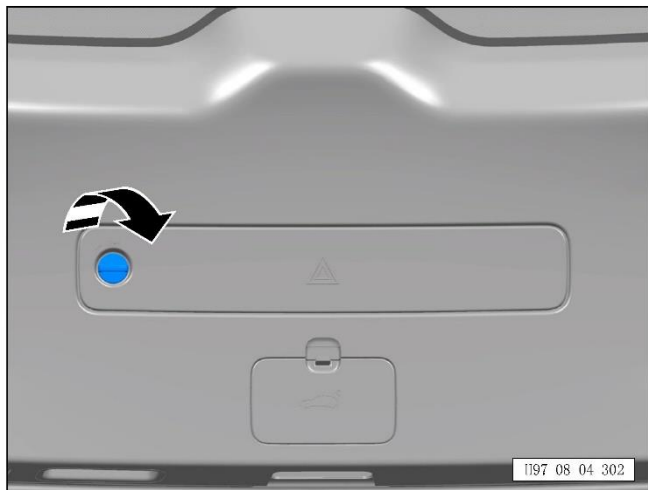
**CAUTION:**

- Check the fixing clips for damage and replace them if necessary.

**8.4.4.2 Removal and refitting of tailgate warning triangle cover body**

Removal procedure

1. Open the tailgate.
2. Remove the tailgate warning triangle cover body.
  - a. Turn the tailgate warning triangle cover knob clockwise.



- b. Tailgate warning triangle cover body ①.

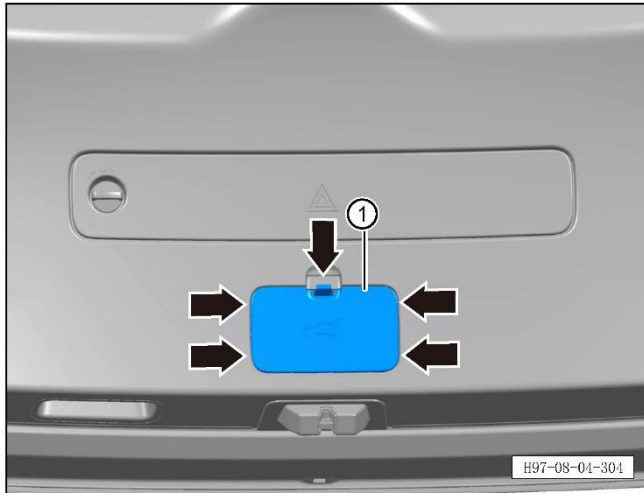
Refitting procedure

The refitting procedure is performed in reverse order.

#### 8.4.4.3 Removal and refitting of tailgate emergency handle cover

Removal procedure

1. Open the tailgate.
2. Remove the tailgate emergency handle cover.
  - a. Disengage 5 fixing clips of the tailgate emergency handle cover.
  - b. Remove the tailgate emergency handle cover ①.



Refitting procedure

The refitting procedure is performed in reverse order.

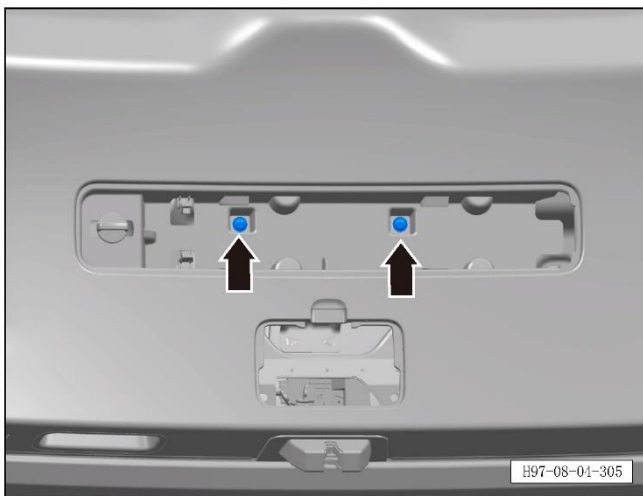
#### 8.4.4.4 Removal and refitting of tailgate lower trim panel assembly

Removal procedure

1. Open the tailgate.
2. Remove the warning triangle cover body (refer to [8.4.4.2 Removal and refitting of tailgate warning triangle cover body](#))
3. Remove the tailgate emergency handle cover (refer to [8.4.4.3 Removal and refitting of tailgate emergency handle cover](#))
4. Remove the POT closing switch (refer to [9.6.7.4 Removal and refitting of POT closing switch](#))
5. Remove the tailgate lower trim panel assembly.

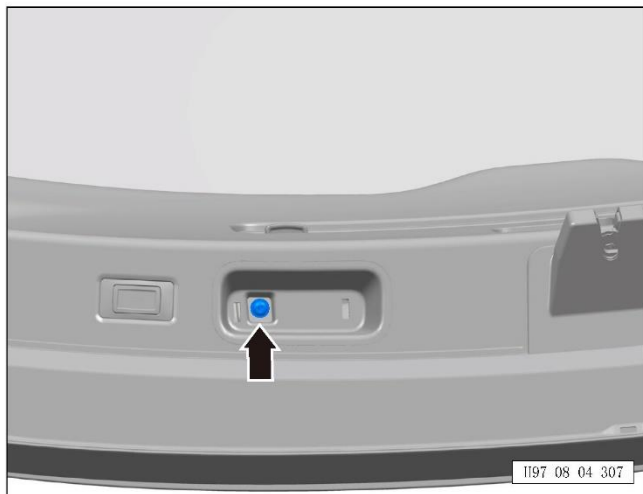
- a. Unscrew 2 fixing screws of the tailgate lower trim panel assembly.

Tightening torque of screw:  $2\pm 0.5\text{Nm}$ .

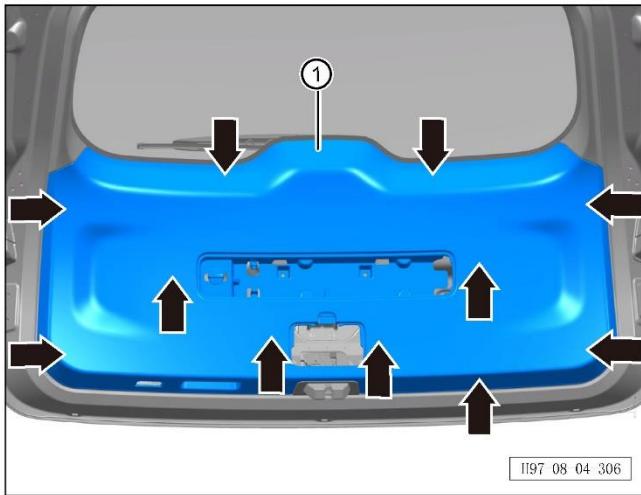


- b. Unscrew 1 fixing screw of the tailgate lower trim panel assembly.

Tightening torque of screw:  $2\pm 0.5\text{Nm}$ .







- c. Disengage 11 fixing clips of the tailgate lower trim panel assembly.  
 d. Remove the tailgate lower trim panel assembly ①.

#### Refitting procedure

The refitting procedure is performed in reverse order.

#### CAUTION:

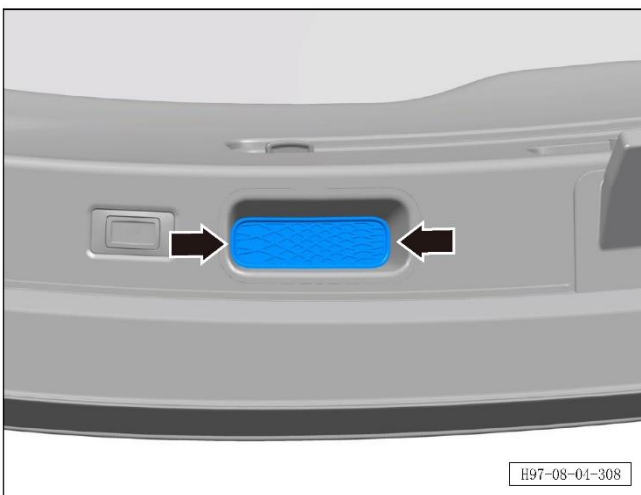
- Check the fixing clips for damage and replace them if necessary.

#### 8.4.4.5 Removal and refitting of tailgate handle cover

##### Removal procedure

1. Open the tailgate.
2. Remove the tailgate handle cover.

- a. Disengage 2 fixing clips of the tailgate handle cover. b. Remove the tailgate handle cover ①.



#### Refitting procedure

The refitting procedure is performed in reverse order.

#### 8.4.4.6 Removal and refitting of tailgate side trim panel assembly

Removal procedure

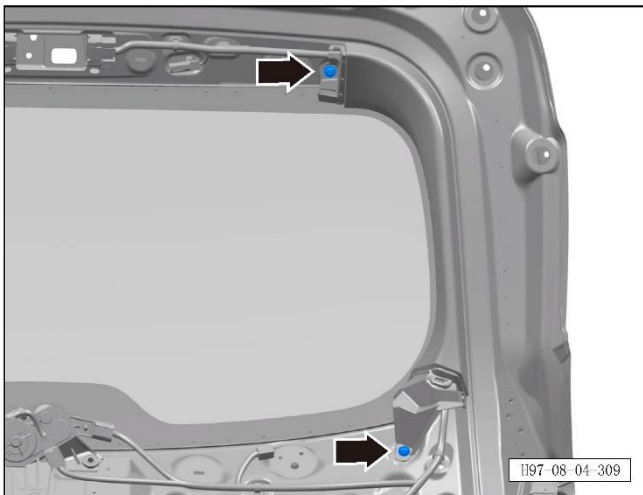
Note:

- The following is the removal and refitting of the tailgate left trim panel assembly, which can be referred to for the operations on the right side.

1. Open the tailgate.
2. Remove the tailgate lower trim panel assembly (refer to [8.4.4.4 Removal and refitting of tailgate lower trim panel assembly](#))
3. Remove the tailgate upper panel assembly (refer to [8.4.4.1 Removal and refitting of tailgate upper panel assembly](#))
4. Remove the tailgate left trim panel assembly.

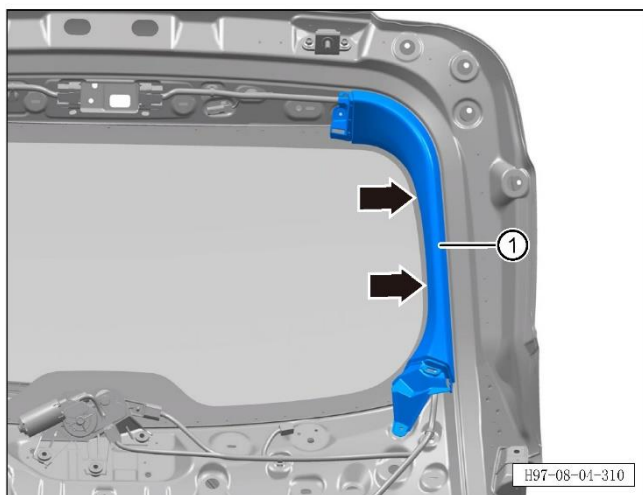
a. Unscrew 2 fixing screws of the tailgate left trim panel assembly.

Tightening torque of screw:  $2\pm 0.5\text{Nm}$ .



b. Disengage 2 fixing clips of the tailgate left trim panel assembly.

c. Remove the tailgate left trim panel assembly ①.



Refitting procedure

The refitting procedure is performed in reverse order.

**CAUTION:**

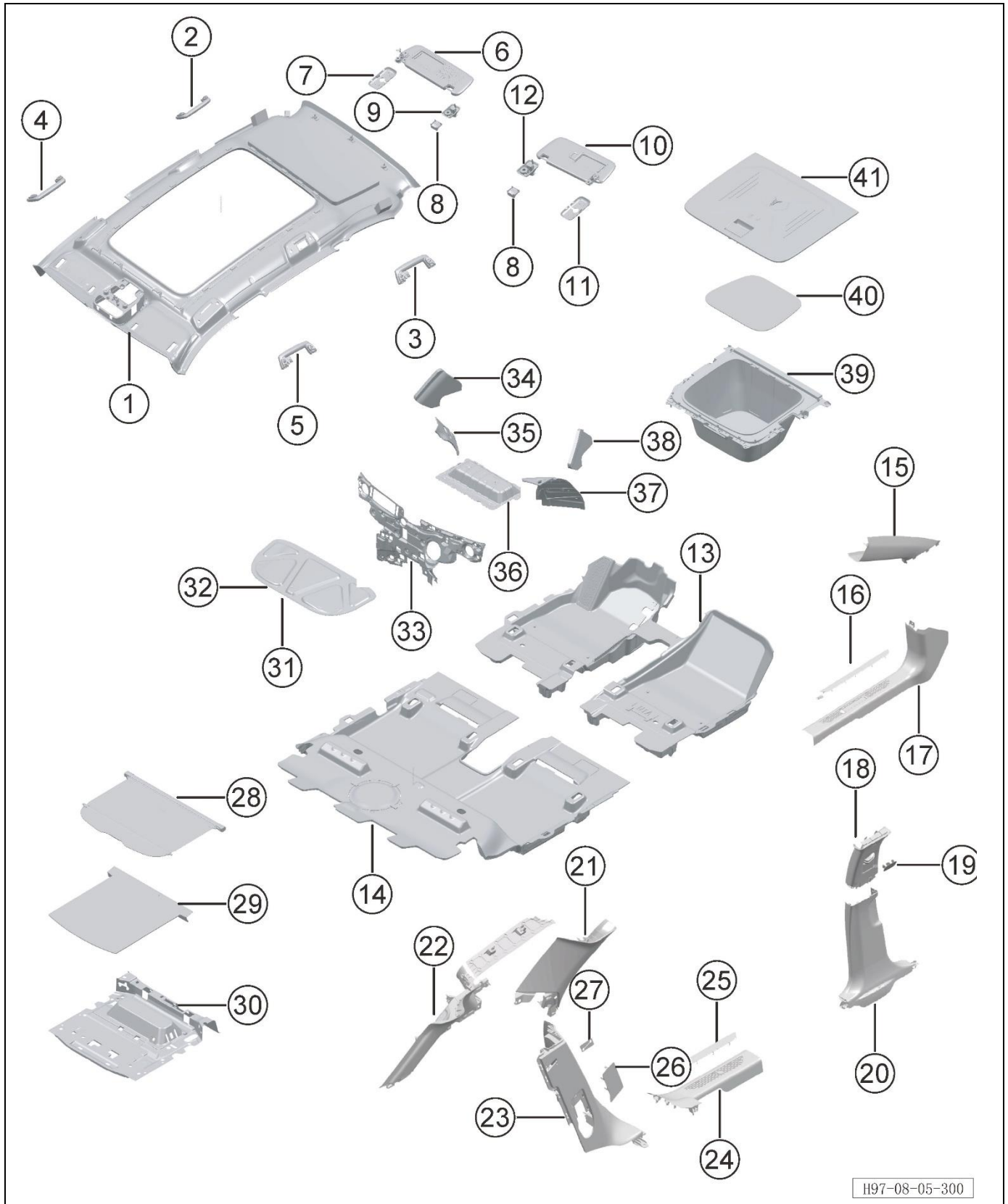
- Check the fixing clips for damage and replace them if necessary.

## **8.5 Interiors**

### **8.5.1 Precautions**

- When removing the inner trim panel, use the special loosening wedge to avoid damage to the trim panel surface.
- After removing the inner trim panel, check the fixing clips on the inner trim panel for damage and replace if necessary.
- Check the seat belt system after a traffic accident! Replace the seat belt if it is damaged.
- Improper maintenance, including incorrect SRS removal and refitting may trigger the system unexpectedly and lead to personal injury or casualty!

8.5.2 Exploded view



S/N	Part name	Loading quantity	Remarks
1	Roof inner trim panel assembly	1	
2	Front left safety handle	1	
3	Front right safety handle	1	
4	Left rear safety handle	1	
5	Right rear safety handle	1	
6	Left sun visor	1	
7	Left sun visor mount cover plate	1	
8	Sun visor hook cover plate	2	
9	Left visor hook	1	
10	Right sun visor	1	
11	Right sun visor mount cover plate	1	
12	Right sun visor hook	1	
13	Front floor front carpet assembly	1	
14	Front floor rear carpet assembly	1	
15	Right A-pillar upper protective plate assembly	1	
16	Right front door sill courtesy pedal	1	
17	Right front door sill courtesy guard	1	
18	Right B-pillar upper protective plate assembly	1	
19	Plug cap	2	
20	Right B-pillar lower protective plate assembly	1	
21	Right C-pillar upper protective plate assembly	1	
22	Right D-pillar upper protective plate assembly	1	
23	Right C-pillar lower protective plate assembly	1	
24	Right rear door sill courtesy guard assembly	1	
25	Right rear door sill courtesy pedal	1	
26	Right C-pillar lower trim cover plate	1	
27	Seat backrest hook right trim	1	
28	Trunk cover curtain assembly	1	
29	Trunk carpet assembly	1	

S/N	Part name	Loading quantity	Remarks
30	Rear floor carpet assembly	1	
31	Engine hood sound insulation pad	1	REV
32	Engine hood sound insulation pad	1	EV
33	Engine hood heat insulation pad	1	
34	Right rear side wall sound insulation foam	1	
35	Right rear wheel hub sound insulation pad	1	
36	Motor heat insulation pad	1	
37	Left rear wheel hub sound insulation pad	1	
38	Left rear side wall sound insulation foam	1	
39	Engine compartment storage box assembly	1	
40	Engine compartment storage box pad	1	
41	Engine compartment storage box cover plate	1	

### 8.5.3 Safety handle

#### 8.5.3.1 Removal and refitting of safety handle

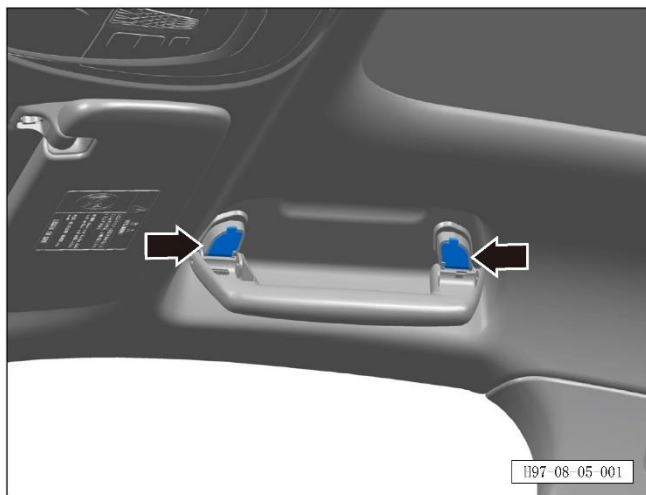
Removal procedure

Note:

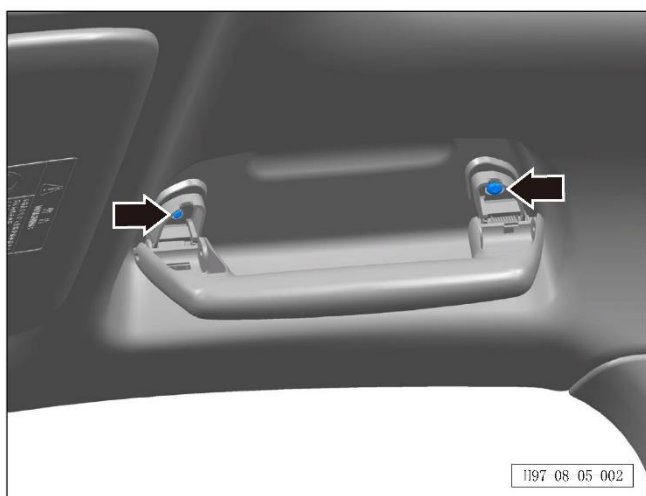
- The following is the removal and refitting of the front seat safety handle, which is the same as that of the rear seat safety handle.

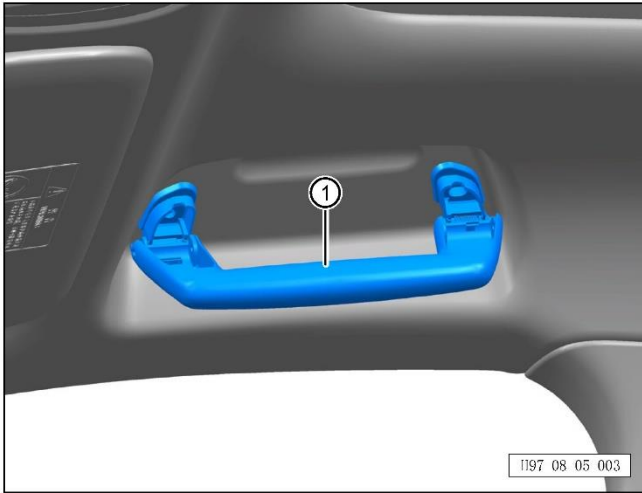
1. Remove the front safety handle.

a. Remove 2 fixing screw covers of the safety handle.



b. Unscrew 2 fixing screws of the front safety handle.  
Tightening torque of screws:  $8\pm 2\text{Nm}$ .





c. Remove the front safety handle ①.

Refitting procedure

The refitting procedure is performed in reverse order.



## 8.5.4 Sun visor

### 8.5.4.1 Removal and refitting of sun visor mount cover plate

Removal procedure

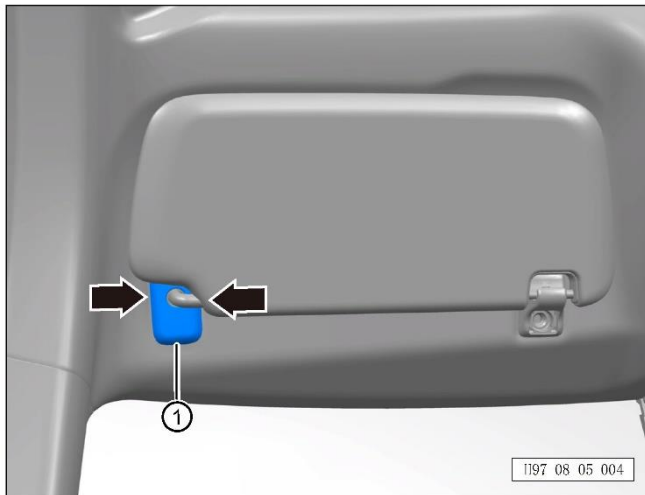
Note:

- The following is the removal and refitting of the left sun visor mount cover plate, which can be referred to for the operations on the right side.

1. Remove the left sun visor mount cover plate.

a. Disengage the fixing clips on both sides of the left sun visor mount cover plate.

b. Remove the left sun visor mount cover plate ①.



Refitting procedure

The refitting procedure is performed in reverse order.

### 8.5.4.2 Removal and refitting of sun visor hook cover plate

Removal procedure

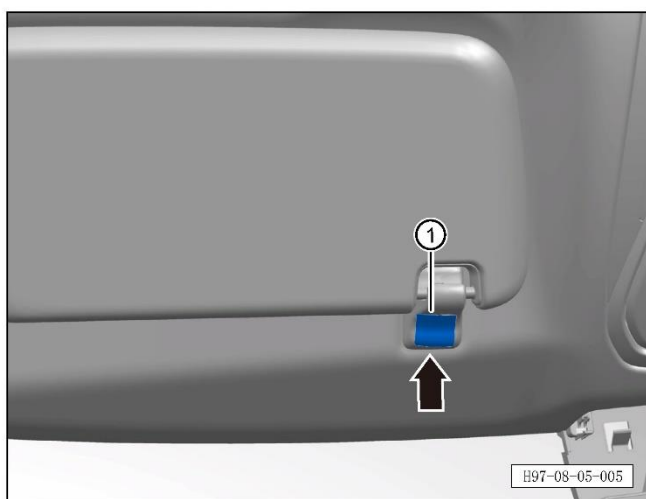
Note:

- The following is the removal and refitting of the left sun visor hook cover plate, which can be referred to for the operations on the right side.

1. Remove the left sun visor hook cover plate.

a. Disengage the lower fixing clip of the left sun visor hook cover plate.

b. Remove the left sun visor hook cover plate ①.



Refitting procedure

The refitting procedure is performed in reverse order.

### 8.5.4.3 Removal and refitting of sun visor

Removal procedure

Note:

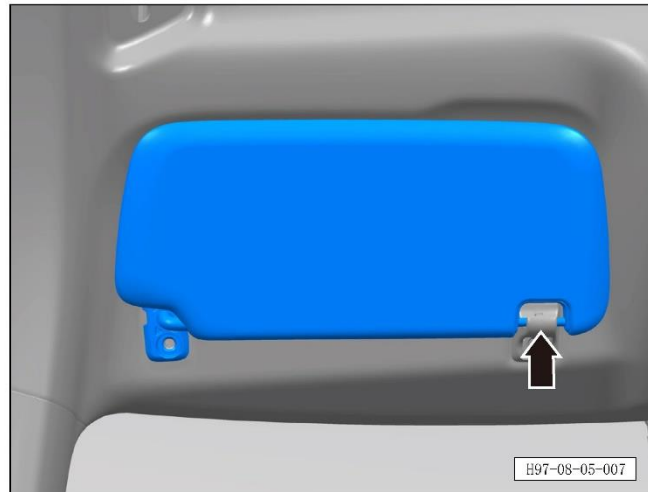
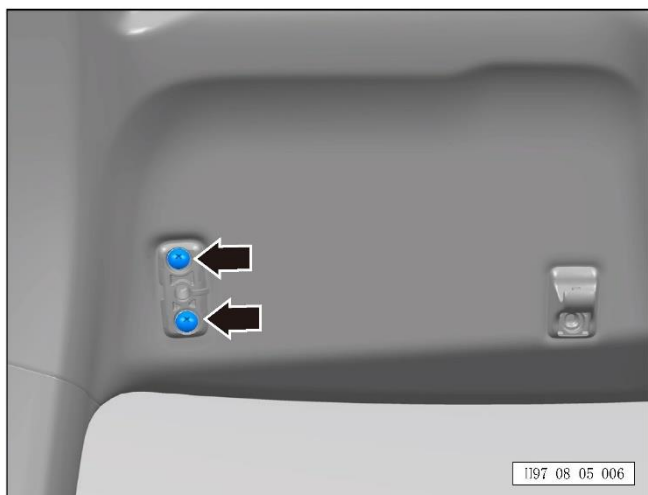
- The following is the removal and refitting of the left sun visor, which can be referred to for the operations on the right side.

1. Remove the left sun visor mount cover plate (refer to [8.5.4.1 Removal and refitting of sun visor mount cover plate](#))

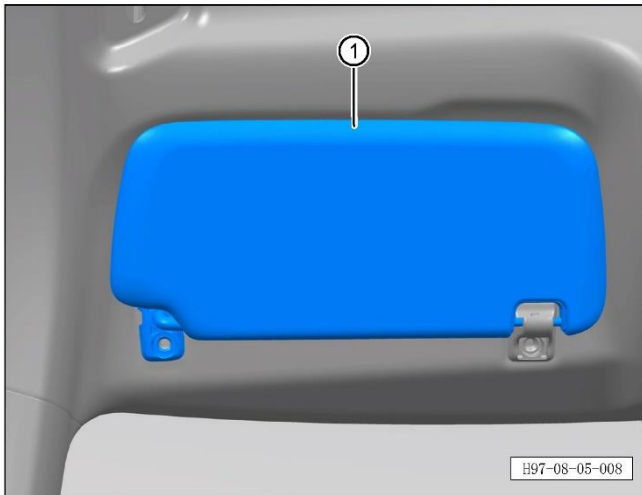
2. Remove the left sun visor.

a. Open the left sun visor and unscrew 2 fixing screws of the left sun visor.

Tightening torque of screw:  $2\pm 1\text{Nm}$ .



b. Disconnect the left sun visor from the left sun visor hook.



c. Disconnect the left sun visor lamp connector, and remove the left sun visor ①.

Refitting procedure

The refitting procedure is performed in reverse order.

#### 8.5.4.4 Removal and refitting of left sun visor hook

Removal procedure

Note:

- The following is the removal and refitting of the left sun visor hook, which can be referred to for the operations on the right side.

1. Remove the left sun visor hook cover plate (refer to [8.5.4.2 Removal and refitting of sun visor hook cover plate](#))

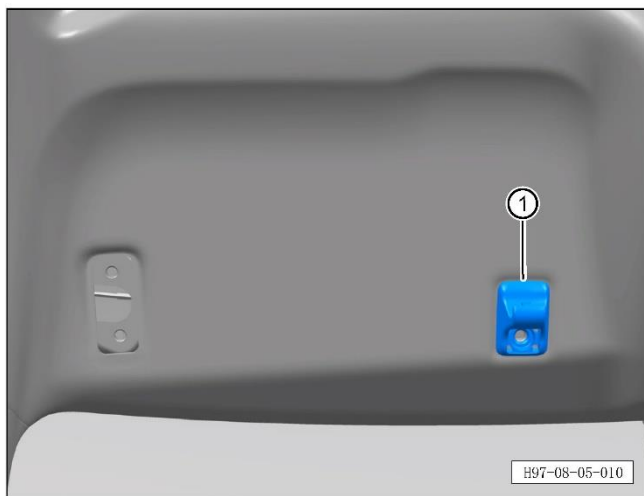
2. Remove the left sun visor.

a. Unscrew 1 fixing screw of the left sun visor hook.

Tightening torque of screw:  $2\pm 1\text{Nm}$ .



b. Disconnect the left sun visor from the left sun visor hook and remove the left sun visor hook ①.



Refitting procedure

The refitting procedure is performed in reverse order.

## 8.5 Side trims

### 8.5.5.1 Removal and refitting of A-pillar upper protective plate assembly

Removal procedure

Note:

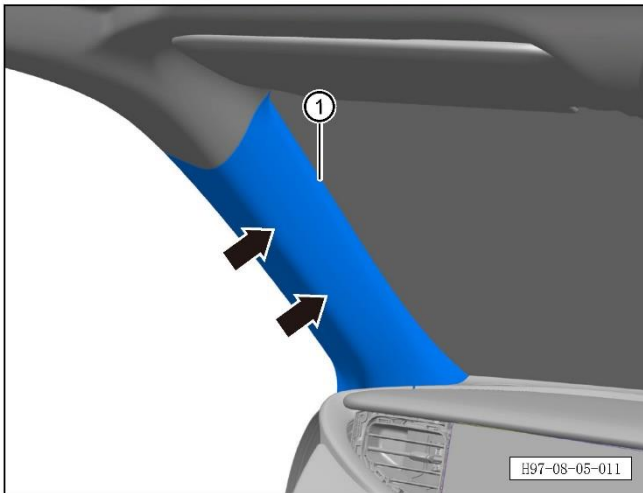
- The following is the removal and refitting of the left A-pillar upper protective plate assembly, which can be referred to for the operations on the right side.

1. Remove the left A-pillar upper protective plate assembly.

a. Detach the door frame sealing strip of the left A-pillar upper protective plate assembly.

b. Disengage 2 fixing clips of the left A-pillar upper protective plate assembly.

c. Remove the left A-pillar upper protective plate assembly ①.



Refitting procedure

The refitting procedure is performed in reverse order.

**CAUTION:**

- Check the fixing clips for damage and replace them if necessary.

### 8.5.5.2 Removal and refitting of B-pillar lower protective plate assembly

Removal procedure

Note:

- The following is the removal and refitting of the left B-pillar lower protective plate assembly, which can be referred to for the operations on the right side.

1. Remove the left front door sill protective plate (refer to [8.5.7.1 Removal and refitting of front door sill protective plate body](#))

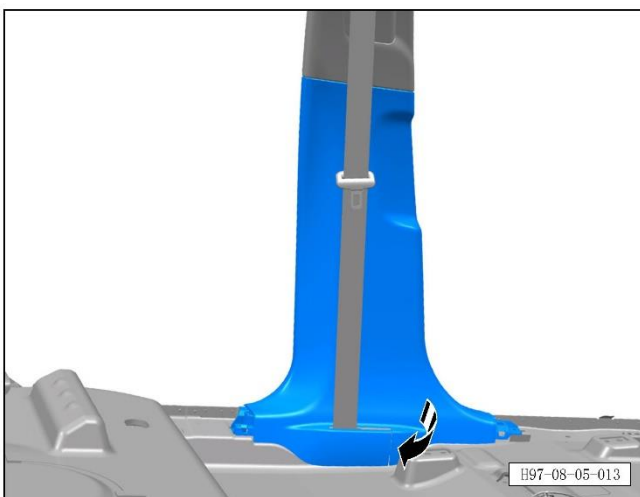
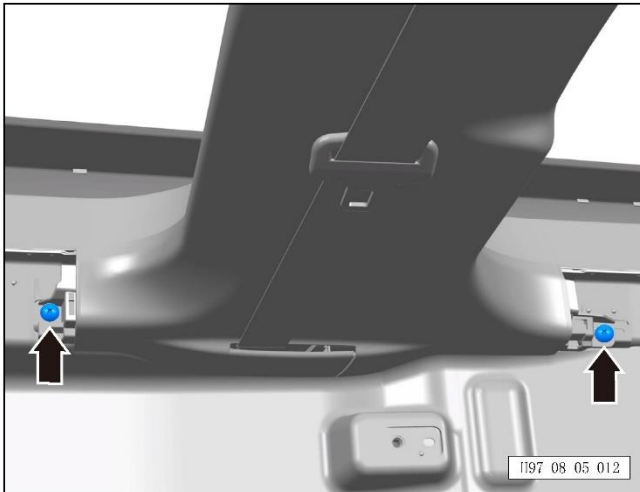
2. Remove the left rear door sill protective plate (refer to [8.5.7.2 Removal and refitting of rear door sill protective plate body](#))

3. Remove the left B-pillar lower protective plate assembly.

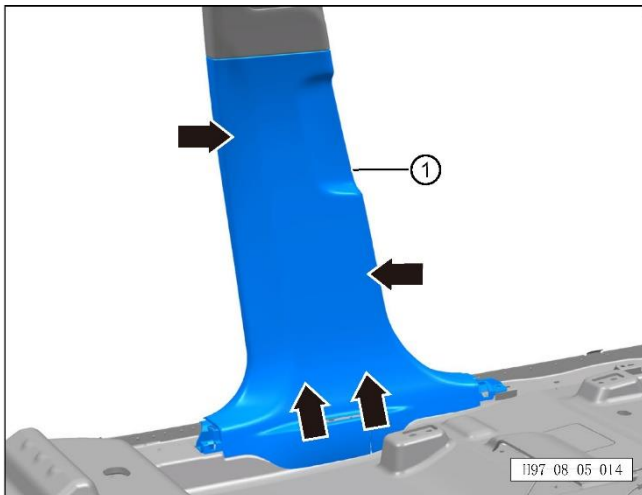
a. Detach the door frame sealing strip of the left B-pillar lower protective plate assembly.

b. Unscrew 2 fixing screws of the left B-pillar lower protective plate assembly.

Tightening torque of screw:  $2\pm 1\text{Nm}$ .



c. Disengage the lower clip of the left B-pillar lower protective plate assembly, and flip it over, and take out the seat belt.



- d. Disengage 4 fixing clips of the left B-pillar lower protective plate assembly.
- e. Remove the left B-pillar lower protective plate assembly ①.

#### Refitting procedure

The refitting procedure is performed in reverse order.

#### CAUTION:

- Check the fixing clips for damage and replace them if necessary.



### 8.5.5.3 Removal and refitting of B-pillar upper protective plate assembly

Removal procedure

Note:

- The following is the removal and refitting of the left B-pillar upper protective plate assembly, which can be referred to for the operations on the right side.

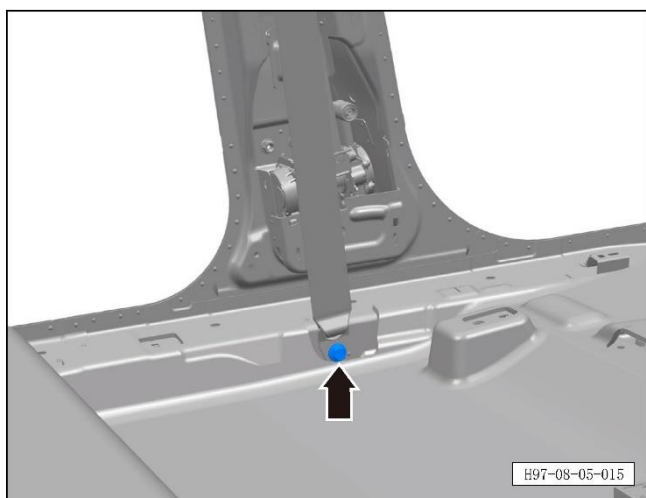
1. Remove the left B-pillar lower protective plate assembly (refer to [8.5.5.2 Removal and refitting of B-pillar lower protective plate assembly](#))

2. Remove the left B-pillar upper protective plate assembly.

a. Detach the door frame sealing strip of the left B-pillar upper protective plate assembly.

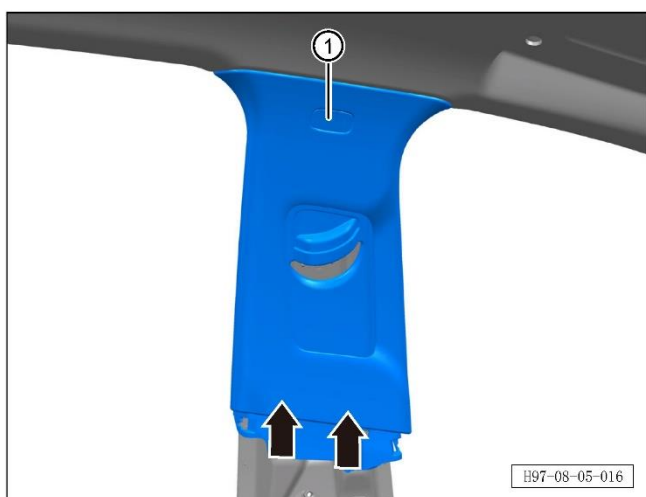
b. Unscrew 1 fixing bolt of the left seat belt.

Tightening torque of bolt:  $50\pm 8\text{Nm}$ .



c. Disengage 2 fixing clips of the left B-pillar upper protective plate assembly.

d. Remove the left B-pillar upper protective plate assembly ①.



Refitting procedure

The refitting procedure is performed in reverse order.

**CAUTION:**

- Check the fixing clips for damage and replace them if necessary.

#### 8.5.5.4 Removal and refitting of C-pillar lower trim cover plate

Removal procedure

Note:

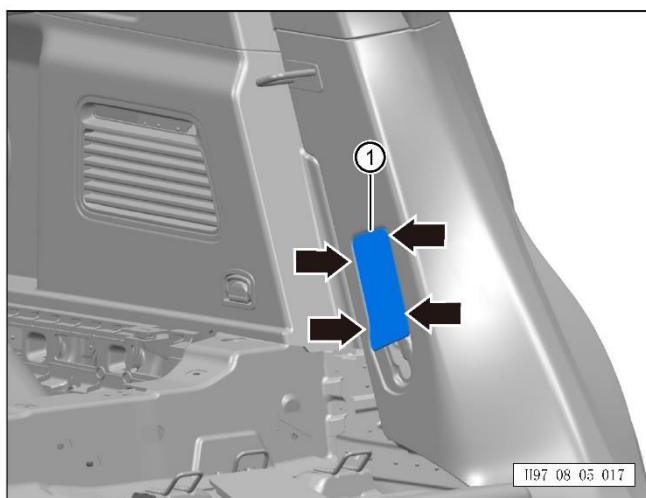
- The following is the removal and refitting of the lower left C-pillar trim cover plate, which can be referred to for the operations on the right side.

1. Flip the rear left seat backrest assembly to the low position.

2. Remove the left C-pillar lower trim cover plate.

a. Disengage 4 fixing clips of the lower left C-pillar trim cover plate.

b. Remove the left C-pillar lower trim cover plate ①.



Refitting procedure

The refitting procedure is performed in reverse order.

**CAUTION:**

- Check the fixing clips for damage and replace them if necessary.

### 8.5.5.5 Removal and refitting of seat backrest hook trim

Removal procedure

Note:

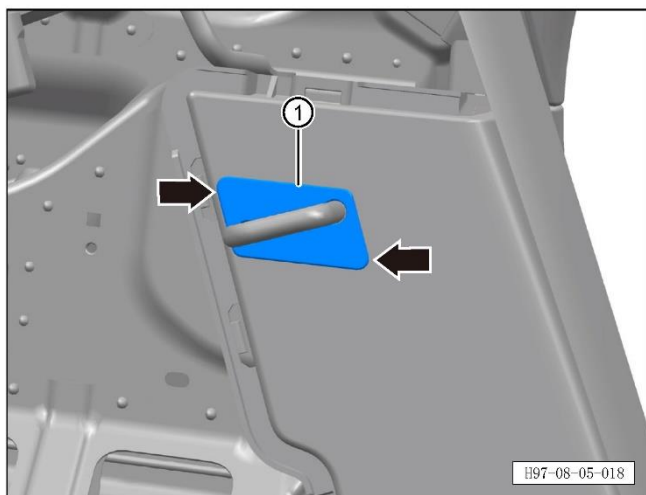
- The following is the removal and refitting of the left trim of the seat backrest hook, which can be referred to for the operations on the right side.

1. Flip the rear left seat backrest assembly to the low position.

2. Remove the left trim of the seat backrest hook.

a. Disengage 2 fixing clips of the left trim of the seat backrest hook.

b. Remove the left trim of the seat backrest hook ①.



Refitting procedure

The refitting procedure is performed in reverse order.

**CAUTION:**

- Check the fixing clips for damage and replace them if necessary.

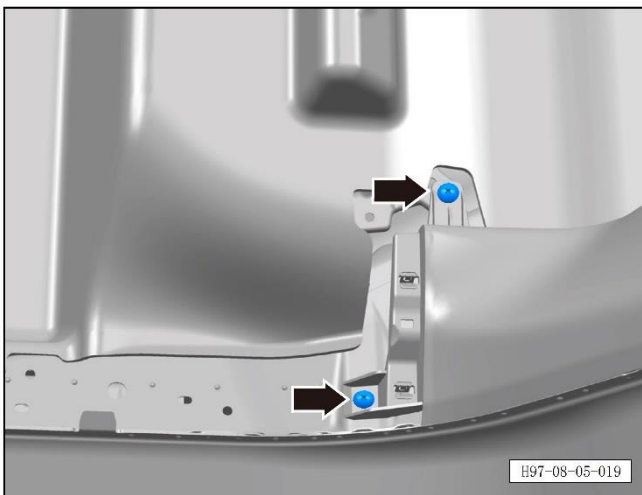
### 8.5.5.6 Removal and refitting of C-pillar lower protective plate assembly

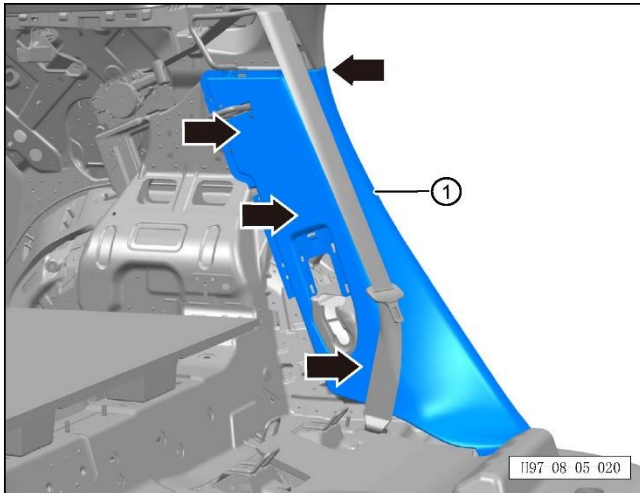
Removal procedure

Note:

- The following is the removal and refitting of the left C-pillar lower protective plate assembly, which can be referred to for the operations on the right side.

1. Remove the rear seat cushion assembly (refer to [8.1.5.1 Removal and refitting of rear seat cushion assembly](#))
  2. Remove the rear left seat backrest assembly (refer to [8.1.5.4 Removal and refitting of rear left seat backrest assembly](#))
  3. Remove the left C-pillar lower trim cover plate (refer to [8.5.5.4 Removal and refitting of C-pillar lower trim cover plate](#))
  4. Remove the seat backrest hook left trim (refer to [8.5.5.5 Removal and refitting of seat backrest hook trim](#))
  5. Remove the left rear door sill protective plate (refer to [8.5.7.2 Removal and refitting of rear door sill protective plate body](#))
  6. Remove the left rear side wall inner trim panel assembly (refer to [8.5.5.10 Removal and refitting of rear side wall inner trim panel assembly](#))
  7. Remove the left C-pillar lower protective plate assembly.
    - a. Detach the door frame sealing strip of the left C-pillar lower trim assembly.
    - b. Unscrew 2 fixing screws of the left C-pillar lower protective plate assembly.
- Tightening torque of screw:  $2\pm 1\text{Nm}$ .





- c. Disengage 4 fixing clips of the left C-pillar lower protective plate assembly.
- d. Remove the left C-pillar lower protective plate assembly ①.

#### Refitting procedure

The refitting procedure is performed in reverse order.

#### CAUTION:

- Check the fixing clips for damage and replace them if necessary.

### 8.5.5.7 Removal and refitting of C-pillar upper protective plate assembly

Removal procedure

Note:

- The following is the removal and refitting of the left C-pillar upper protective plate assembly, which can be referred to for the operations on the right side.

1. Remove the left rear side wall inner trim panel assembly (refer to [8.5.5.10 Removal and refitting of rear side wall inner trim panel assembly](#))

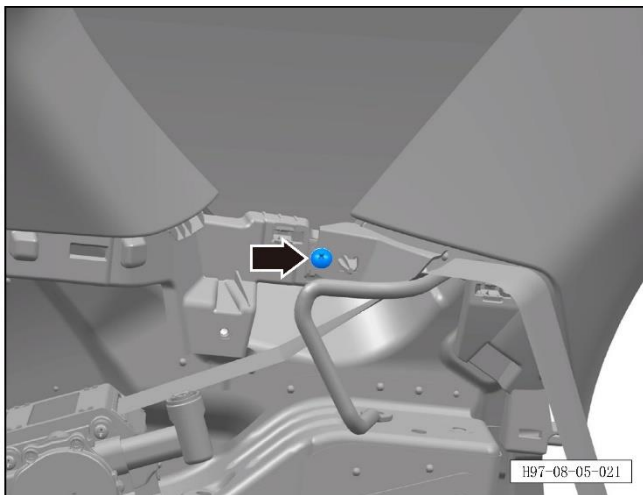
2. Remove the left C-pillar lower protective plate assembly (refer to [8.5.5.6 Removal and refitting of C-pillar lower protective plate assembly](#))

3. Remove the left C-pillar upper protective plate assembly.

a. Detach the door frame sealing strip of the left C-pillar upper protective plate assembly.

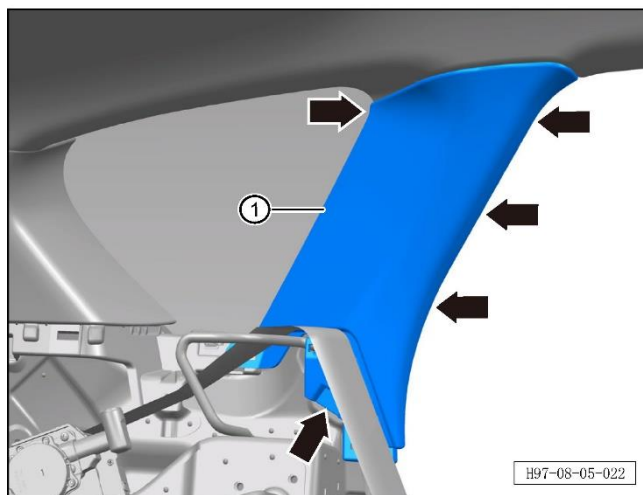
b. Unscrew 1 fixing screw of the left C-pillar upper protective plate assembly.

Tightening torque of screw:  $2\pm 1\text{Nm}$ .



c. Disengage 5 fixing clips of the left C-pillar upper protective plate assembly.

d. Remove the left C-pillar upper protective plate assembly ①.



Refitting procedure

The refitting procedure is performed in reverse order.

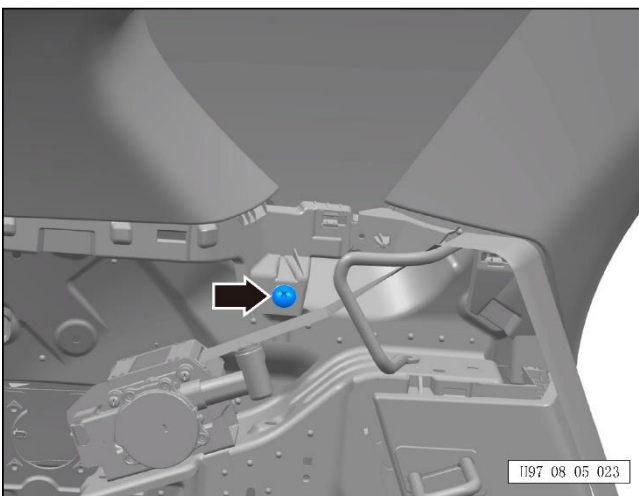
**CAUTION:**

- Check the fixing clips for damage and replace them if necessary.

### 8.5.5.8 Removal and refitting of left D-pillar upper protective plate assembly

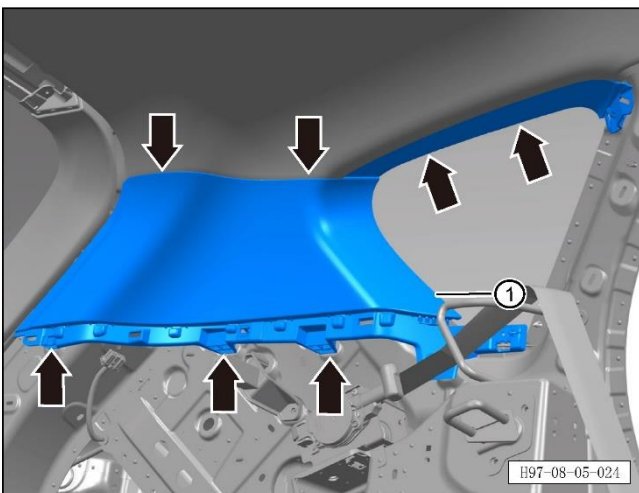
#### Removal procedure

1. Remove the left rear side wall inner trim panel (refer to [8.5.5.10 Removal and refitting of rear side wall inner trim panel assembly](#))
2. Remove left C-pillar lower guard plate assembly (refer to [8.5.5.6 Removal and refitting of C-pillar lower fender assembly](#))
3. Remove the left C-pillar upper protective plate assembly (refer to [8.5.5.7 Removal and refitting of C-pillar upper protective plate assembly](#))
4. Remove the left D-pillar upper protective plate assembly.



- a. Detach the tailgate frame sealing strip of the left D-pillar upper fender assembly.
- b. Unscrew 1 fixing screw of the left D-pillar upper protective plate assembly.

Tightening torque of screw:  $2\pm 1\text{Nm}$ .



- c. Disengage 7 fixing clips of the left D-pillar upper protective plate assembly.
- d. Remove the left D-pillar upper protective plate assembly ①.

#### Refitting procedure

The refitting procedure is performed in reverse order.

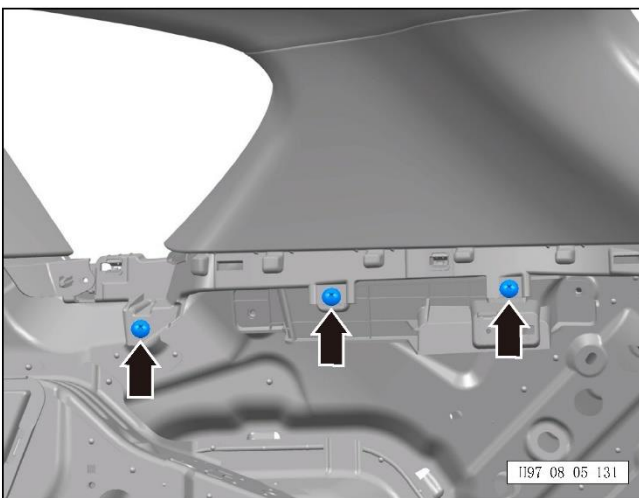
#### CAUTION:

- Check the fixing clips for damage and replace them if necessary.

### 8.5.5.9 Removal and refitting of right D-pillar upper protective plate assembly

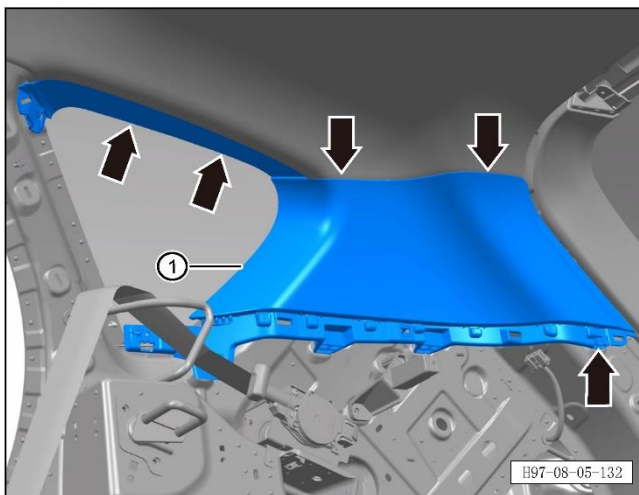
#### Removal procedure

1. Remove the right rear side wall inner trim panel assembly (refer to [8.5.5.10 Removal and refitting of rear side wall inner trim panel assembly](#))
2. Remove the right C-pillar lower protective plate assembly (refer to [8.5.5.6 Removal and refitting of C-pillar lower protective plate assembly](#))
3. Remove the right C-pillar upper protective plate assembly (refer to [8.5.5.7 Removal and refitting of C-pillar upper protective plate assembly](#))
4. Remove the right D-pillar upper protective plate assembly.



- a. Detach the tailgate frame sealing strip of the right D-pillar upper protective plate assembly.
- b. Unscrew 3 fixing screws of the right D-pillar upper protective plate assembly.

Tightening torque of screw:  $2\pm 1\text{Nm}$ .



- c. Disengage 5 fixing clips of the right D-pillar upper protective plate assembly.
- d. Remove the right D-pillar upper protective plate assembly ①.

#### Refitting procedure

The refitting procedure is performed in reverse order.

#### CAUTION:

- Check the fixing clips for damage and replace them if necessary.



### 8.5.5.10 Removal and refitting of rear side wall inner trim panel assembly

Removal procedure

Note:

- The following is the removal and refitting of the left rear side wall trim panel assembly, which can be referred to for the operations on the right side.

1. Remove the trunk cover curtain assembly (refer to [8.5.8.2 Removal and refitting of trunk cover curtain assembly](#))

2. Remove the trunk lamp (refer to [9.9.11.1 Removal and refitting of trunk lamp](#))

3. Remove the trunk carpet assembly (refer to [8.5.8.1 Removal and refitting of trunk carpet assembly](#))

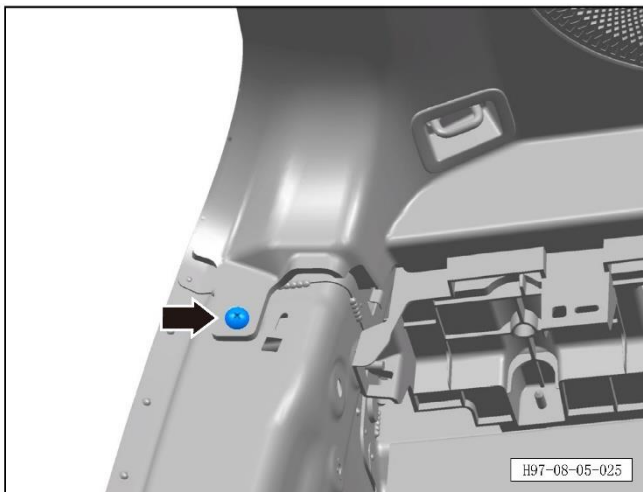
4. Remove the tailgate sill protective plate assembly (refer to [8.5.7.3 Removal and refitting of tailgate sill protective plate assembly](#))

5. Remove the left rear side wall trim panel assembly.

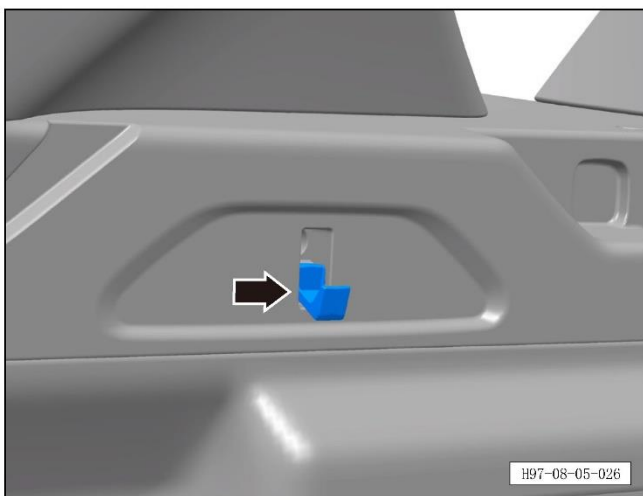
a. Detach the tailgate frame sealing strip of the left rear side wall trim panel assembly.

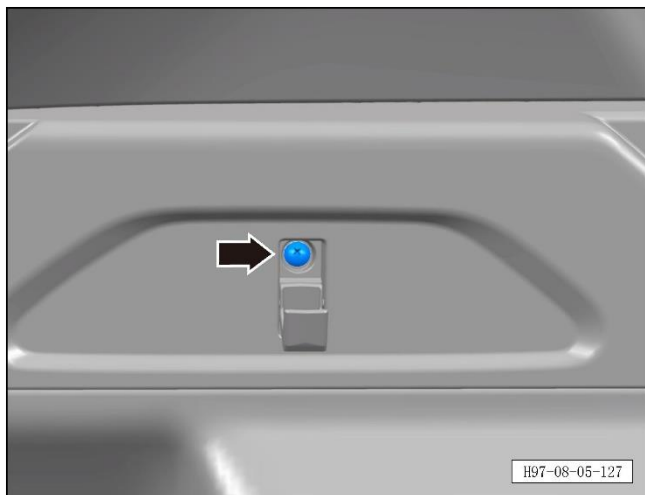
b. Unscrew 1 fixing screw at the rear of the left rear side wall trim panel assembly.

Tightening torque of screw:  $2\pm 1\text{Nm}$ .

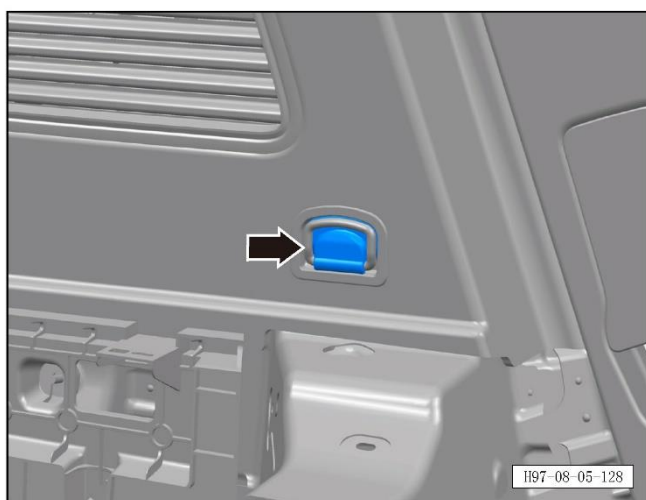


c. Open the left trunk hook.





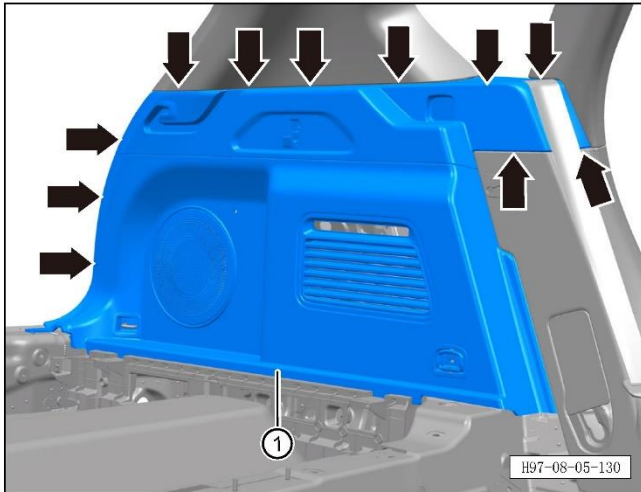
- d. Unscrew 1 fixing screw of the trunk hook of the left rear side wall trim panel assembly.  
Tightening torque of screw:  $4\pm 2\text{Nm}$ .



- e. Remove the front rope hook screw cover plate of the left rear side wall trim panel assembly.



- f. Unscrew 1 fixing screw of the front rope hook of the left rear side wall trim panel assembly.  
Tightening torque of screw:  $6\pm 2\text{Nm}$ .



g. Disengage 11 fixing clips of the left rear side wall inner trim panel assembly, and disconnect the trunk lamp connector.

h. Remove the left rear side wall trim panel assembly ①.

Refitting procedure

The refitting procedure is performed in reverse order.

**CAUTION:**

- Check the fixing clips for damage and replace them if necessary.

### 8.5.5.11 Removal and refitting of trunk front rope hook

Removal procedure

Note:

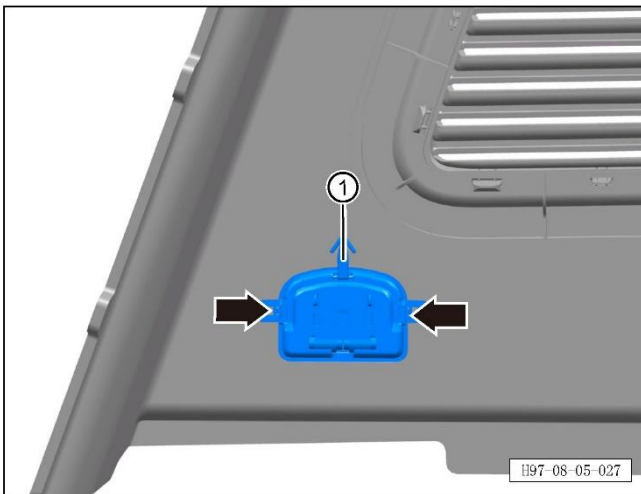
- The following is the removal and refitting of the left trunk front rope hook, which can be referred to for the operations on the right side.

1. Remove the left rear side wall trim panel assembly (refer to [8.5.5.10 Removal and refitting of rear side wall trim panel assembly](#))

2. Remove the left trunk front rope hook.

a. Disengage 2 fixing clips of the left trunk front rope hook.

b. Remove the left trunk front rope hook ①.



Refitting procedure

The refitting procedure is performed in reverse order.

### 8.5.5.12 Removal and refitting of trunk hook assembly

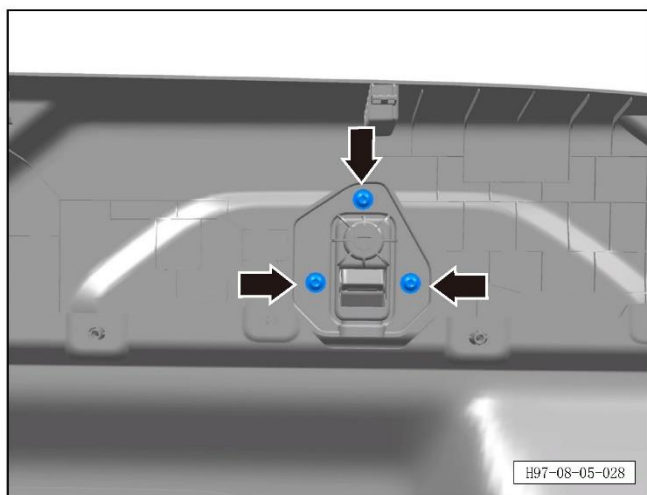
Removal procedure

Note:

- The following is the removal and refitting of the left trunk hook assembly, which can be referred to for the operations on the right side.

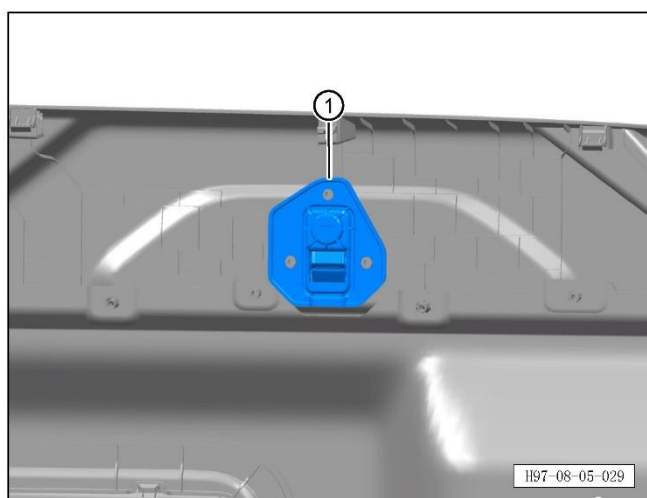
1. Remove the left rear side wall panel inner trim panel assembly (refer to [8.5.5.10 Removal and refitting of rear side wall panel inner trim panel](#))

2. Remove the left trunk hook assembly.



a. Unscrew 3 fixing screws of the left trunk hook assembly.

Tightening torque of screw:  $2\pm 1\text{Nm}$ .



b. Remove the left trunk hook assembly ①.

Refitting procedure

The refitting procedure is performed in reverse order.

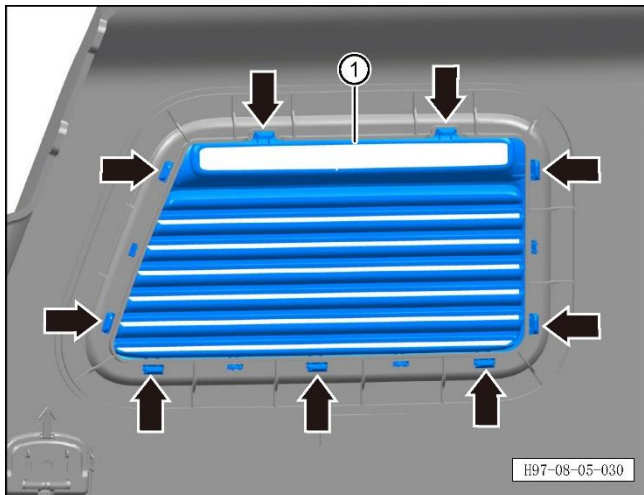
### 8.5.5.13 Removal and refitting of trunk air vent

Removal procedure

Note:

- The following is the removal and refitting of the left air vent of the trunk, which can be referred to for the operations on the right side.

1. Remove the left rear side wall panel inner trim panel assembly (refer to [8.5.5.10 Removal and refitting of rear side wall panel inner trim panel](#)).
2. Remove the left air vent of the trunk.



- a. Disengage 9 fixing clips from the left air vent of the trunk.
- b. Remove the left air vent of the trunk ①.

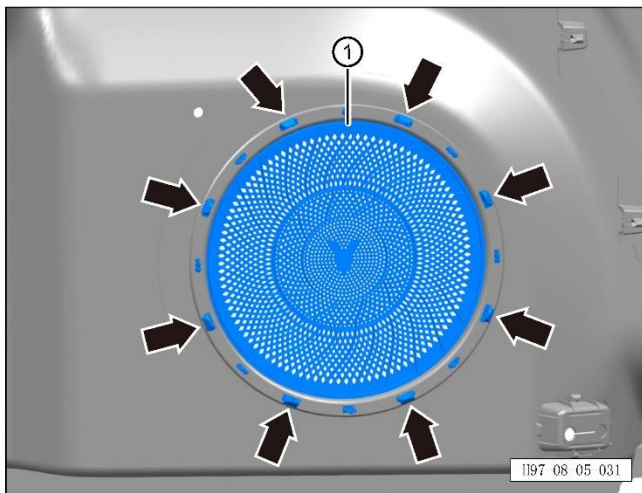
Refitting procedure

The refitting procedure is performed in reverse order.

#### 8.5.5.14 Removal and refitting of trunk horn cover

Removal procedure

1. Remove the left rear side wall panel inner trim panel assembly (refer to [8.5.5.10 Removal and refitting of rear side wall panel inner trim panel](#))
2. Remove the trunk horn cover.



- a. Disengage 8 fixing clips of the trunk horn cover.
- b. Remove the trunk horn cover ①.

Refitting procedure

The refitting procedure is performed in reverse order.

### 8.5.5.15 Removal and refitting of trunk rear rope hook trim

Removal procedure

Note:

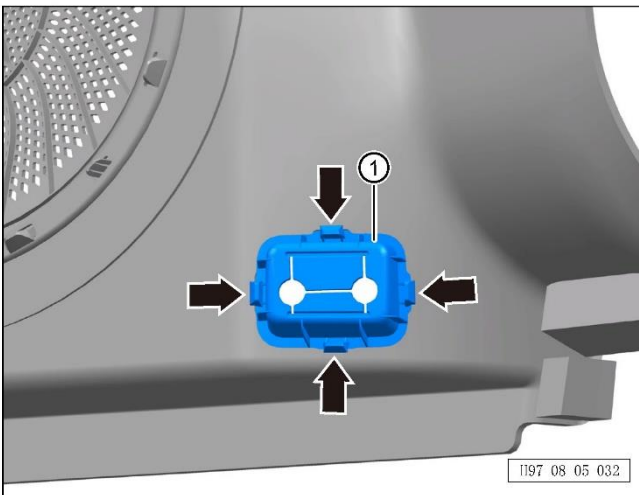
- The following is the removal and refitting of the left rear rope hook trim of the trunk, which can be referred to for the operations on the right side.

1. Remove the left rear side wall panel inner trim panel assembly (refer to [8.5.5.10 Removal and refitting of rear side wall panel inner trim panel](#)).

2. Remove the left rear rope hook trim of the trunk.

a. Disengage 4 fixing clips of the left rear rope hook trim of the trunk.

b. Remove the left rear rope hook trim of the trunk ①.



Refitting procedure

The refitting procedure is performed in reverse order.

### 8.5.5.16 Removal and refitting of left rear side wall mounting bracket

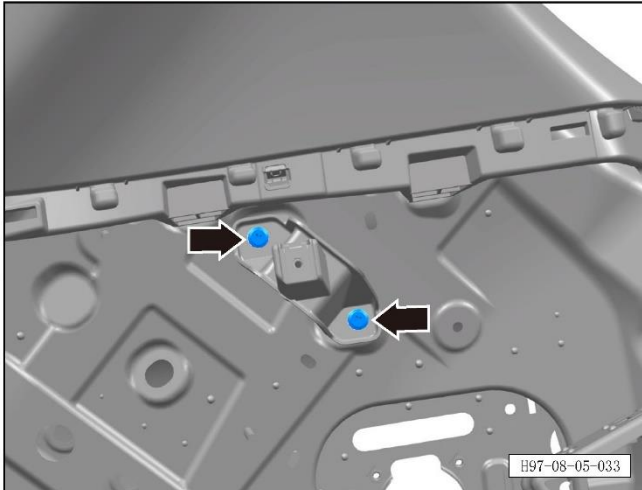
Removal procedure

1. Remove the left rear side wall panel inner trim panel assembly (refer to [8.5.5.10 Removal and refitting of rear side wall panel inner trim panel](#))

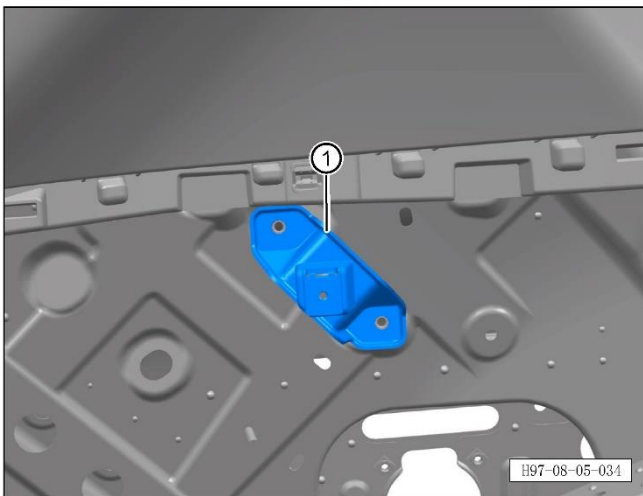
2. Remove the left rear side wall mounting bracket.

a. Unscrew 2 fixing bolts of the left rear side wall mounting bracket.

Tightening torque of bolt:  $6\pm 1\text{Nm}$ .



b. Remove the left rear side wall mounting bracket ①.



Refitting procedure

The refitting procedure is performed in reverse order.



### 8.5.5.17 Removal and refitting of right rear side wall mounting bracket

#### Removal procedure

1. Remove the right rear side wall inner trim panel assembly (refer to [8.5.5.10 Removal and refitting of rear side wall inner trim panel assembly](#))

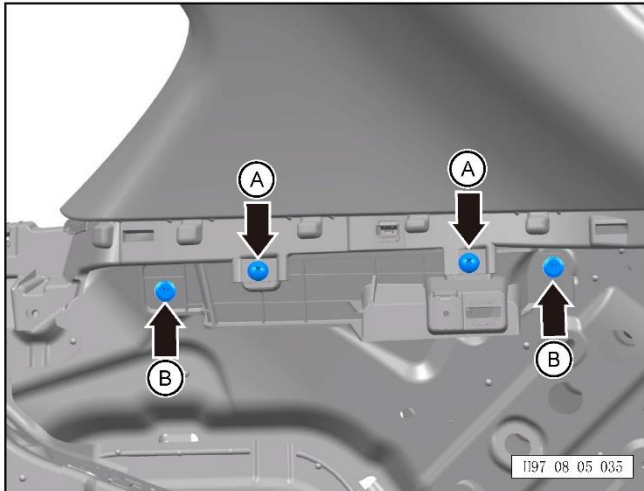
2. Remove the right rear side wall mounting bracket.

a. Unscrew 2 fixing screws A of the right D-pillar upper protective plate.

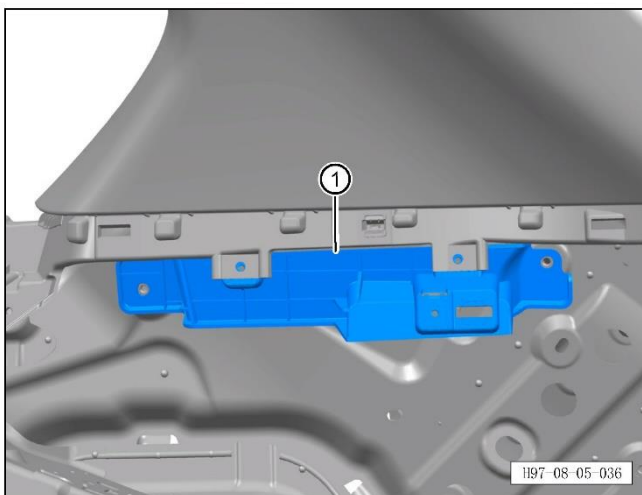
Tightening torque of screw:  $2\pm 1\text{Nm}$ .

b. Unscrew 2 fixing bolts B of the right rear side wall mounting bracket.

Tightening torque of bolt:  $6\pm 1\text{Nm}$ .



c. Remove the right rear side wall mounting bracket ①.



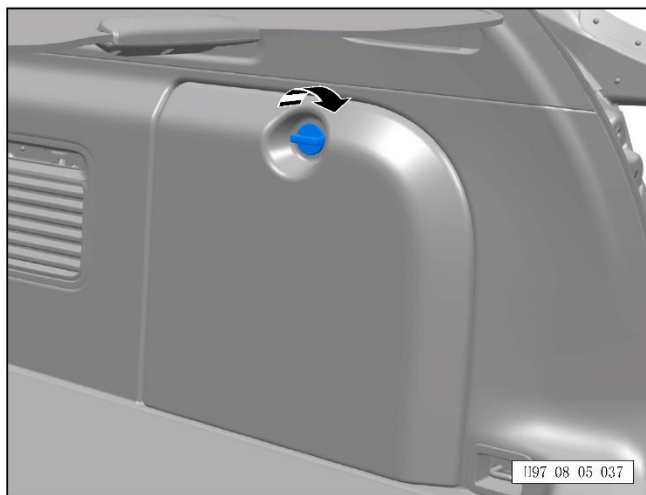
#### Refitting procedure

The refitting procedure is performed in reverse order.

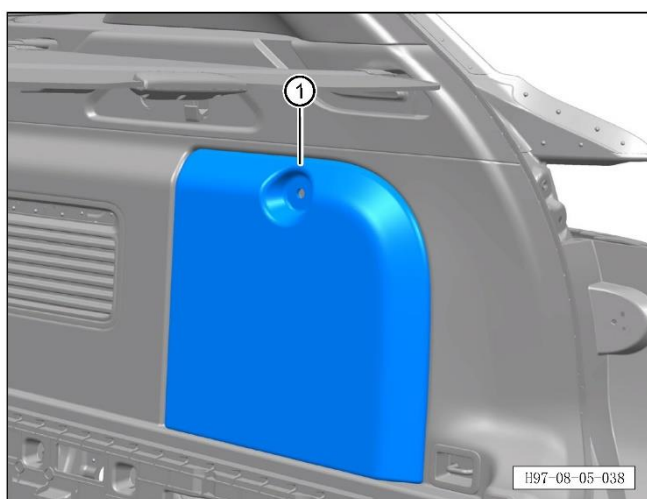
**8.5.5.18 Removal and refitting of trunk cover plate for driver's tool**

Removal procedure

1. Remove the trunk cover plate for driver's tool.
  - a. Turn the knob on the trunk cover plate for driver's tool clockwise.



- b. Remove the trunk cover plate for driver's tool ①.



Refitting procedure

The refitting procedure is performed in reverse order.

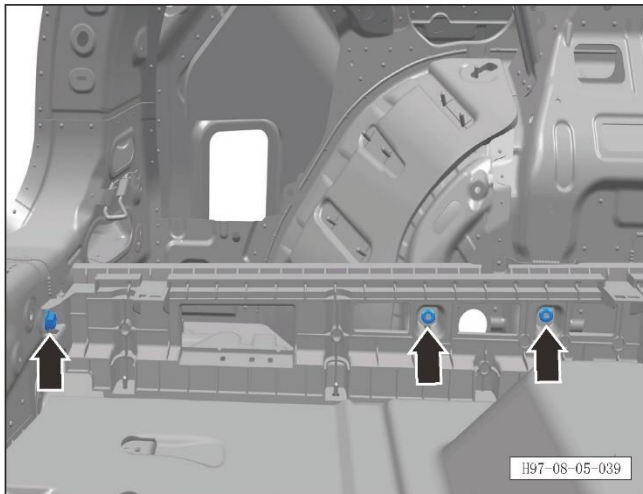
### 8.5.5.19 Removal and refitting of rear side wall lower mounting bracket

Removal procedure

Note:

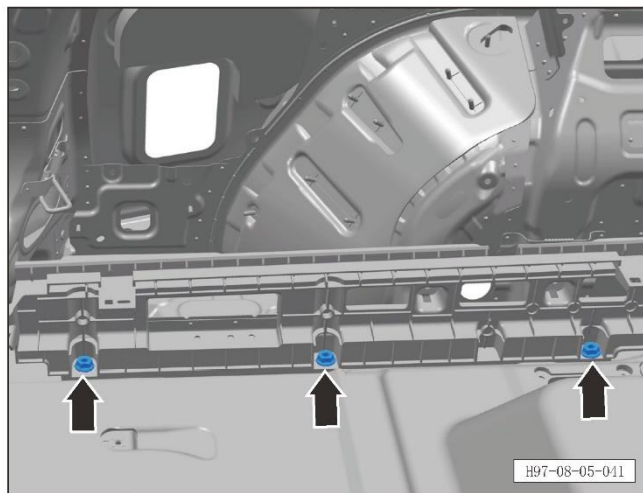
- The following is the removal and refitting of the rear side wall lower mounting bracket, which can be referred to for the operations on the right side.

1. Remove the left rear side wall panel inner trim panel assembly (refer to [8.5.5.10 Removal and refitting of rear side wall panel inner trim panel](#))
2. Remove the left rear side wall lower mounting bracket.



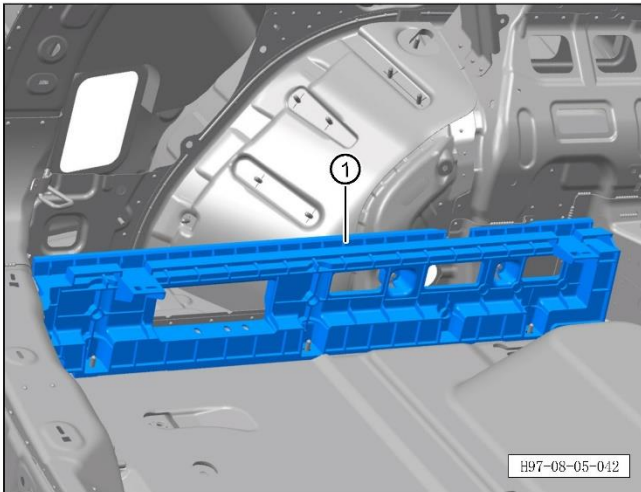
- a. Unscrew 3 fixing nuts on the upper part of the rear side wall lower mounting bracket.

Tightening torque of nut:  $3.5\pm 1\text{Nm}$ .



- b. Unscrew 3 fixing nuts on the lower part of the rear side wall lower mounting bracket.

Tightening torque of nut:  $3.5\pm 1\text{Nm}$ .



c. Remove the left rear side wall lower mounting bracket ①.

Refitting procedure

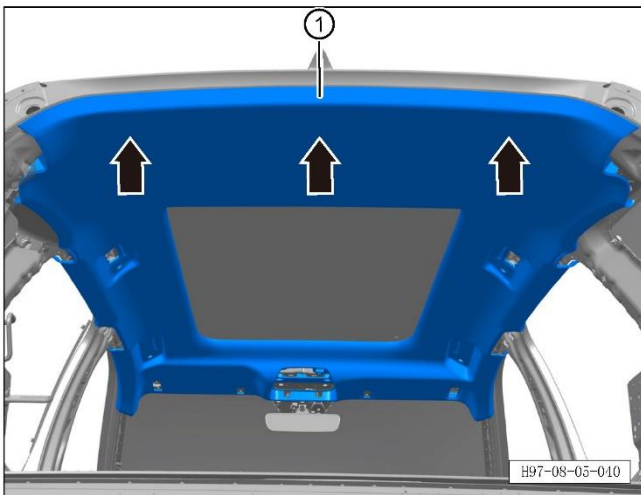
The refitting procedure is performed in reverse order.

## 8.5.6 Ceiling system

### 8.5.6.1 Removal and refitting of roof inner trim panel assembly

Removal procedure

1. Remove the front ceiling lamp assembly (refer to [9.9.11.2 Removal and refitting of ceiling lamp assembly](#))
2. Remove the rear ceiling lamp assembly (refer to [9.9.11.3 Removal and refitting of rear ceiling lamp assembly](#))
3. Remove the left and right A-pillar upper protective plate assemblies (refer to [8.5.5.1 Removal and refitting of A-pillar upper protective plate assembly](#))
4. Remove the left and right B-pillar upper protective plate assemblies (refer to [8.5.5.3 Removal and refitting of B-pillar upper protective plate assembly](#))
5. Remove the left and right C-pillar upper protective plate assemblies (refer to [8.5.5.7 Removal and refitting of C-pillar upper protective plate assembly](#))
6. Remove the left and right D-pillar upper protective plate assemblies (refer to [8.5.5.8 Removal and refitting of D-pillar upper protective plate assembly](#))
7. Remove the left and right sun visors (refer to [8.5.4.3 Removal and refitting of sun visor](#))
8. Remove the left and right sun visor hooks (refer to [8.5.4.4 Removal and refitting of left sun visor hook](#))
9. Remove the front and rear safety handles (refer to [8.5.3.1 Removal and refitting of safety handle](#))
10. Remove the roof inner trim panel assembly.



- a. Disengage 3 fixing clips of the roof inner trim panel assembly.
- b. Remove the roof inner trim panel assembly ①.

Refitting procedure

The refitting procedure is performed in reverse order.

### 8.5.7 Door sill inner trim panel

#### 8.5.7.1 Removal and refitting of front door sill protective plate assembly

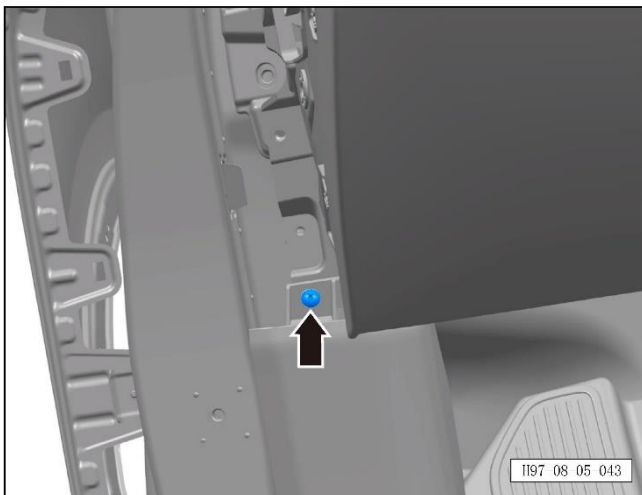
Removal procedure

Note:

- The following is the removal and refitting of the left front door sill protective plate assembly, which can be referred to for the operations on the right side.

1. Remove the instrument panel left end cover assembly (refer to [8.2.4.14 Removal and refitting of instrument panel end cover assembly](#))

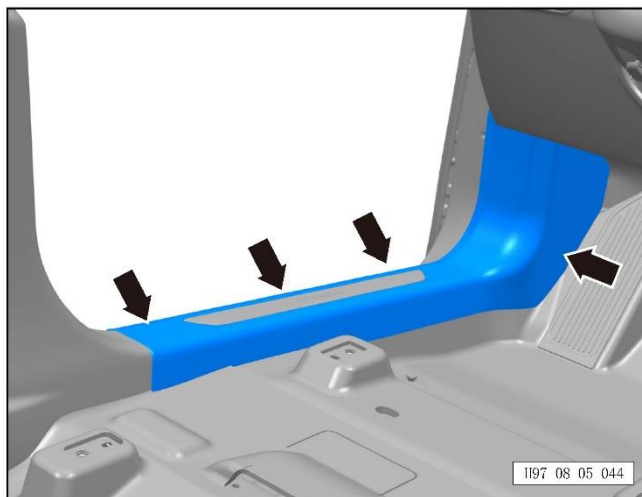
2. Remove the left front door sill protective plate assembly.



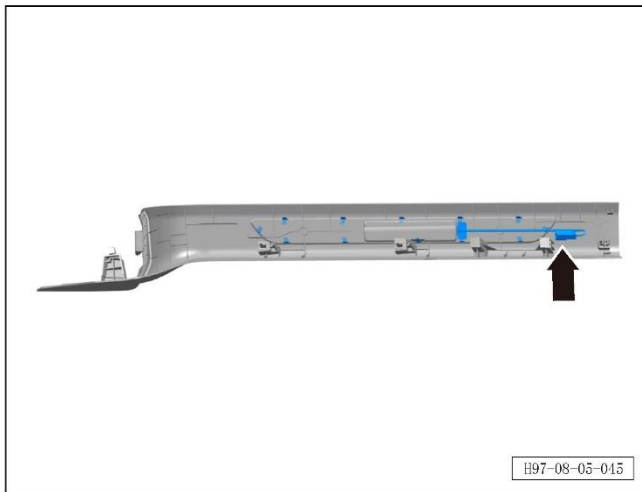
a. Detach the door frame sealing strip of the left front door sill protective plate assembly.

b. Unscrew 1 fixing screw of the left front door sill protective plate assembly.

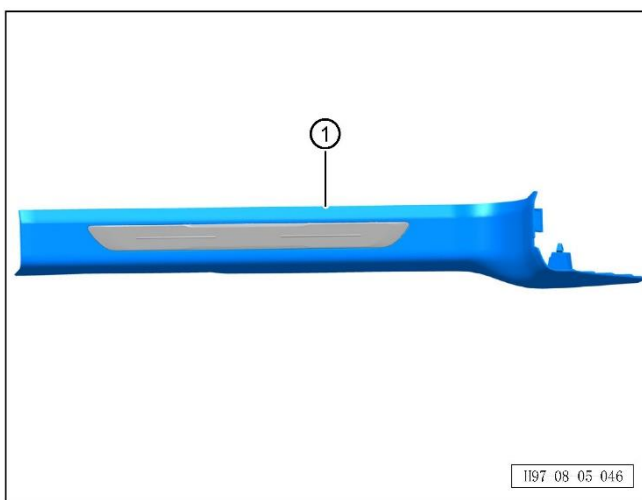
Tightening torque of screw:  $2\pm 1\text{Nm}$



c. Disengage 4 fixing clips of the left front door sill protective plate assembly.



d. Disconnect the front door sill courtesy pedal connector.



e. Remove the left front door sill protective plate assembly ①.

#### Refitting procedure

The refitting procedure is performed in reverse order.

#### CAUTION:

- Check the fixing clips for damage and replace them if necessary.

### 8.5.7.2 Removal and refitting of rear door sill protective plate assembly

Removal procedure

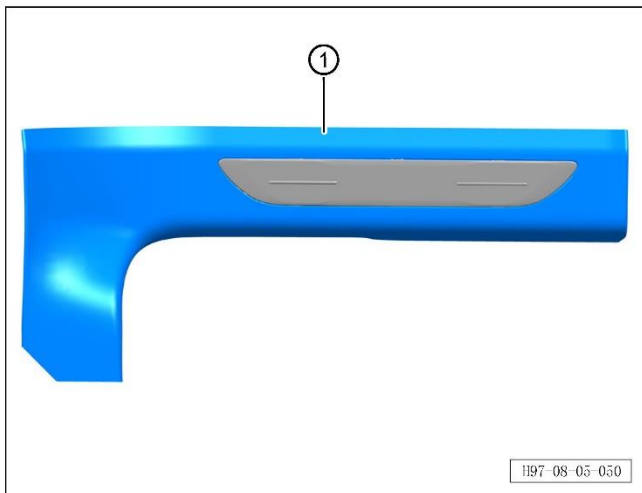
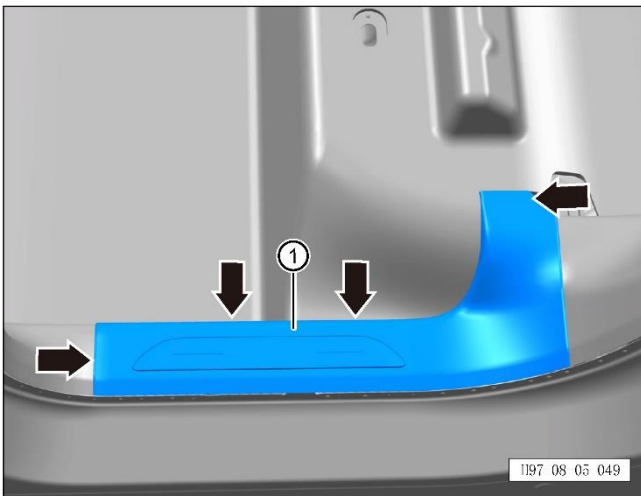
Note:

- The following is the removal and refitting of the left rear door sill protective plate assembly, which can be referred to for the operations on the right side.

1. Remove the left rear door sill protective plate assembly.

a. Detach the sealing strip of the left rear door sill protective plate assembly seal.

b. Disengage 4 fixing clips of the left rear door sill protective plate assembly.



c. Remove the left rear door sill protective plate assembly ①.

Refitting procedure

The refitting procedure is performed in reverse order.

**CAUTION:**

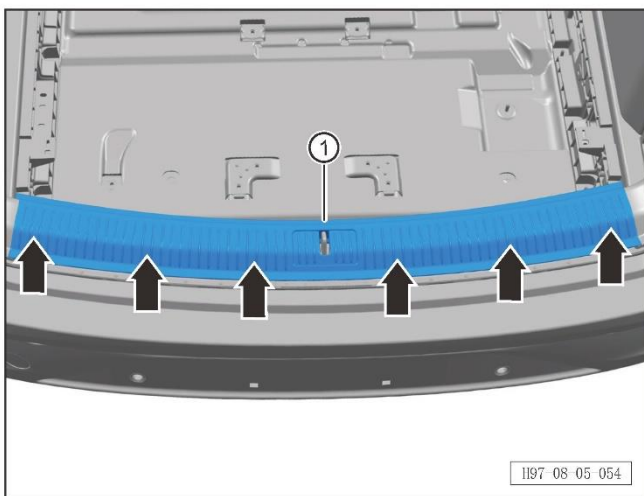
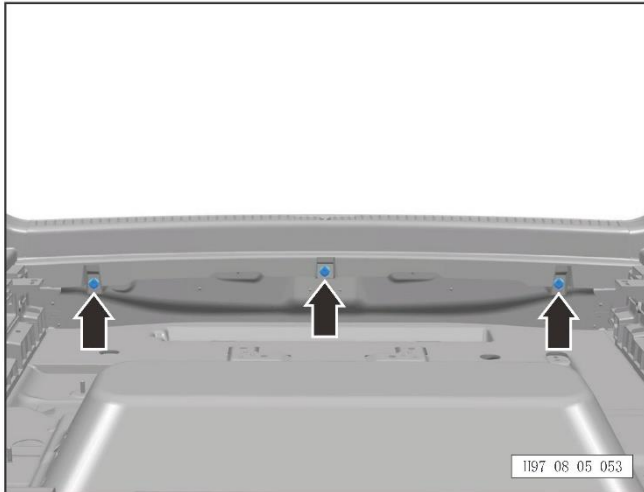
- Check the fixing clips for damage and replace them if necessary.



### 8.5.7.3 Removal and refitting of tailgate sill protective plate assembly

Removal procedure

1. Remove the trunk carpet assembly (refer to [8.5.8.1 Removal and refitting of trunk carpet assembly](#))
2. Remove and refit the tailgate sill protective plate assembly.
  - a. Detach the door frame sealing strip of the tailgate sill protective plate assembly.
  - b. Unscrew 3 fixing screws of the tailgate sill protective plate assembly.  
Tightening torque of screws:  $6\pm 1\text{Nm}$ .



- c. Disengage 6 fixing clips of the tailgate sill protective plate assembly.
  - d. Remove the tailgate door sill protective plate assembly ①.

Refitting procedure

The refitting procedure is performed in reverse order.

**CAUTION:**

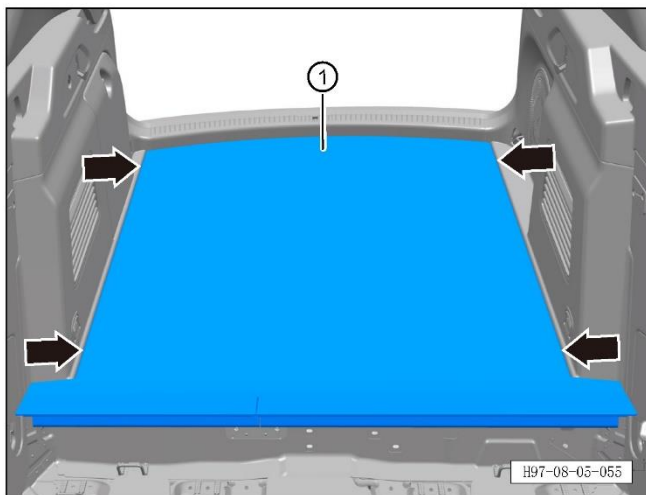
- Check the fixing clips for damage and replace them if necessary.

### 8.5.8 Trunk trim

#### 8.5.8.1 Removal and refitting of trunk carpet assembly

Removal procedure

1. Open the tailgate.
2. Remove the trunk carpet assembly.
  - a. Disengage 4 fixing clips of the trunk carpet assembly.
  - b. Take out the trunk carpet assembly ①.



Refitting procedure

The refitting procedure is performed in reverse order.

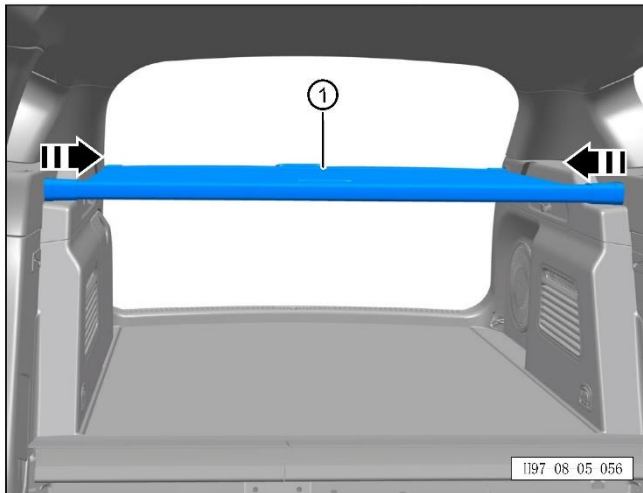
**CAUTION:**

- Check the fixing clips for damage and replace them if necessary.

**8.5.8.2 Removal and refitting of trunk cover curtain assembly**

Removal procedure

1. Open the tailgate.
2. Remove the trunk carpet assembly.
  - a. Disconnect both ends of the trunk cover curtain assembly from the body.
  - b. Remove the trunk cover curtain assembly ①.



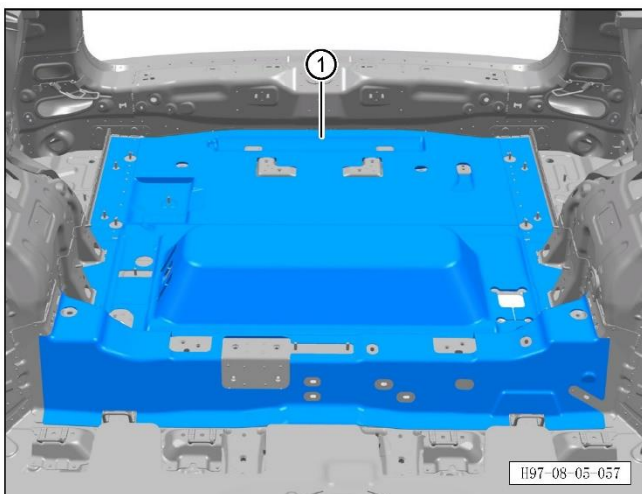
Refitting procedure

The refitting procedure is performed in reverse order.

### 8.5.8.3 Removal and refitting of rear floor carpet assembly

Removal procedure

1. Remove the trunk carpet assembly (refer to [8.5.8.1 Removal and refitting of trunk carpet assembly](#))
2. Remove the left and right rear side wall trim panel assemblies (refer to [8.5.5.10 Removal and refitting of rear side wall trim panel assembly](#))
3. Remove the left and right rear side wall lower mounting brackets (refer to [8.5.5.19 Removal and refitting of rear side wall lower mounting bracket](#))
4. Remove the rear seat cushion assembly (refer to [8.1.5.1 Removal and refitting of rear seat cushion assembly](#))
5. Remove the rear left seat backrest assembly (refer to [8.1.5.4 Removal and refitting of rear left seat backrest assembly](#))
6. Remove the rear right seat backrest assembly (refer to [8.1.5.5 Removal and refitting of rear right seat backrest assembly](#))
7. Remove the middle bracket of the rear seat backrest assembly (refer to [8.1.5.9 Removal and refitting of middle bracket of rear seat backrest assembly](#))
8. Remove the main air reservoir assembly (refer to [6.4.8.1 Removal and refitting of main air reservoir assembly](#))
9. Remove the auxiliary air reservoir assembly (refer to [6.4.8.2 Removal and refitting of auxiliary air reservoir assembly](#))
10. Remove the motor controller.
11. Remove the rear floor carpet assembly.
  - a. Detach the rear floor carpet assembly.
  - b. Remove the rear floor carpet assembly ①.



Refitting procedure

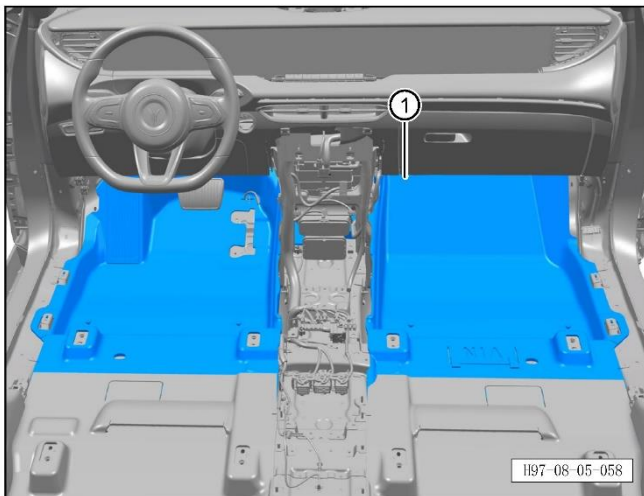
The refitting procedure is performed in reverse order.

## 8.5.9 Trims

### 8.5.9.1 Removal and refitting of front floor carpet assembly

Removal procedure

1. Remove the front seat assembly (refer to [8.1.3.1 Removal and refitting of front seat assembly](#))
2. Remove the console assembly (refer to [8.3.4.22 Removal and refitting of console assembly](#))
3. Remove the left and right CCB connecting brackets (refer to [8.2.4.36 Removal and refitting of CCB connecting bracket](#))
4. Remove the MP5 player assembly (refer to [9.1.5.1 Removal and refitting of MP5 player assembly](#))
5. Remove the left and right front door sill protective plate bodies (refer to [8.5.7.1 Removal and refitting of front door sill protective plate body](#))
6. Remove the USB charger (refer to [9.4.5.3 Removal and refitting of USB charger](#))
8. Remove the accelerator pedal (refer to [6.7.9.1 Removal and refitting of electronic accelerator pedal assembly](#))
7. Remove the front floor front carpet assembly.



- a. Disengage the fixing clip of the lower instrument harness of the console assembly.
- b. Take out the front floor front carpet assembly ①.

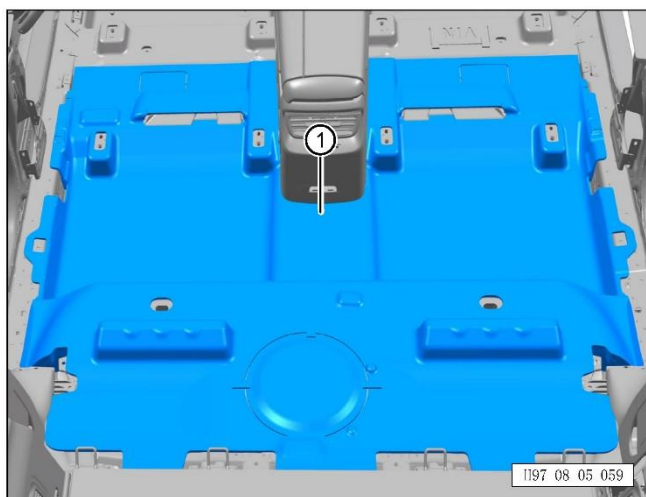
Refitting procedure

The refitting procedure is performed in reverse order.

### 8.5.9.2 Removal and refitting of front floor rear carpet assembly

Removal procedure

1. Remove the front seat assembly (refer to [8.1.3.1 Removal and refitting of front seat assembly](#))
1. Remove the rear seat cushion assembly (refer to [8.1.5.1 Removal and refitting of rear seat cushion assembly](#))
3. Remove the left and right front door sill protective plate bodies (refer to [8.5.7.1 Removal and refitting of front door sill protective plate body](#))
4. Remove the left and right B-pillar lower protective plate assemblies (refer to [8.5.5.2 Removal and refitting of B-pillar lower protective plate assembly](#))
5. Remove the front floor rear carpet assembly.
  - a. Remove 2 fixing clips of the rear seat cushion.
  - b. Take out the front floor rear carpet assembly ①.



Refitting procedure

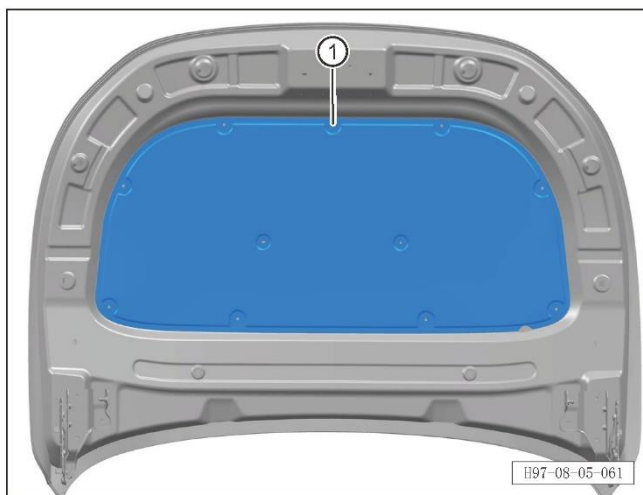
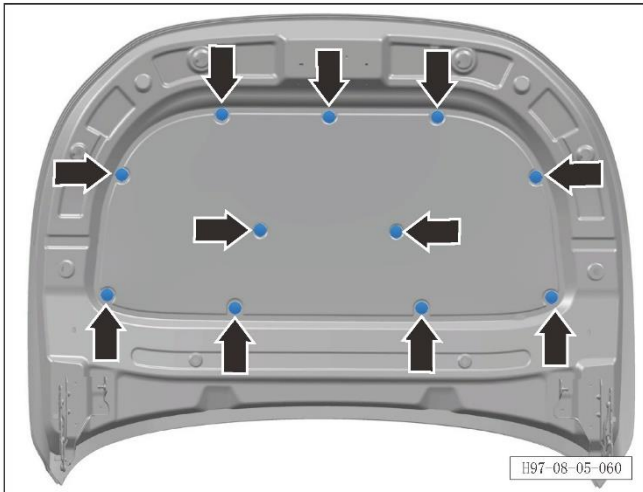
The refitting procedure is performed in reverse order.

### 8.5.10 Insulation devices

#### 8.5.10.1 Removal and refitting of engine hood sound insulation pad

Removal procedure

1. Open the engine hood.
2. Remove the engine hood sound insulation pad.
  - a. Disengage 11 fixing clips of the engine hood sound insulation pad.



- b. Remove the engine hood sound insulation pad ①.

Refitting procedure

The refitting procedure is performed in reverse order.

### 8.5.10.2 Removal and refitting of motor heat insulation pad

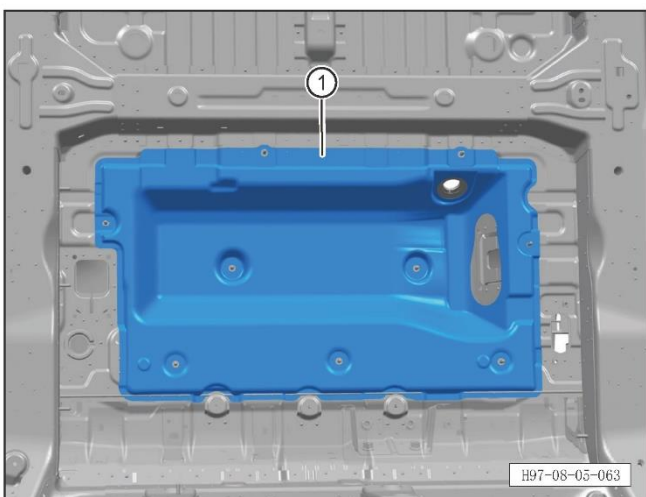
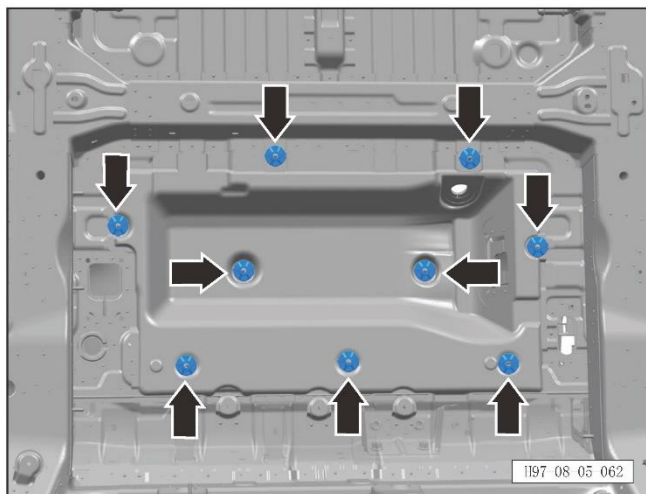
Removal procedure

1. Remove the drive motor (refer to [5.2.4.1 Removal and refitting of drive motor](#))

2. Remove the motor heat insulation pad.

a. Unscrew 9 plastic fixing nuts of the motor heat insulation pad.

Tightening torque of plastic nut:  $6\pm 1\text{Nm}$ .



b. Remove the motor heat insulation pad ①.

Refitting procedure

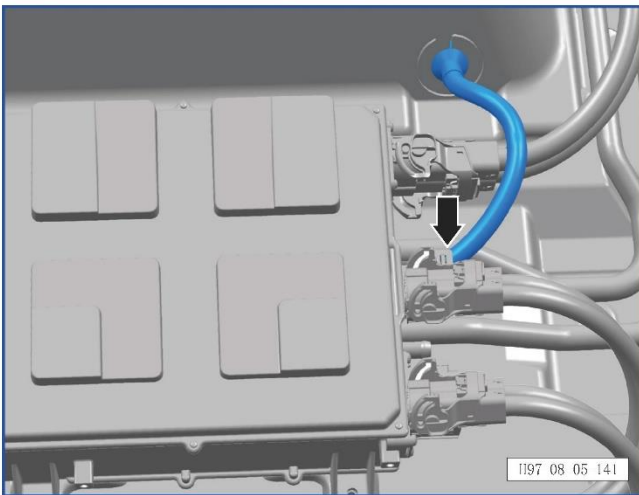
The refitting procedure is performed in reverse order.



### 8.5.10.3 Removal and refitting of motor heat insulation pad

Removal procedure

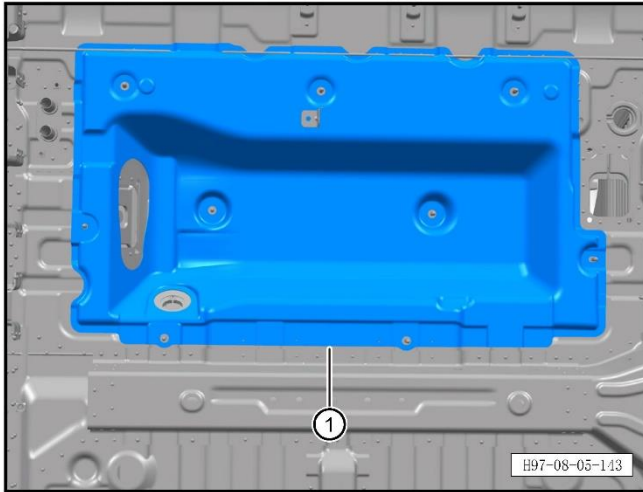
1. Remove the rear lower protective plate (refer to [8.6.4.6 Removal and refitting of rear lower protective plate](#))
2. Remove the rear lower protective plate bracket (refer to [8.6.4.9 Removal and refitting of rear lower protective plate bracket](#))
3. Remove the rear drive motor assembly (refer to [5.2.4.1 Removal and refitting of rear drive motor assembly](#))
4. Remove the trunk carpet assembly (refer to [8.5.8.1 Removal and refitting of trunk carpet assembly](#))
5. Remove the motor heat insulation pad.



- a. Disconnect the left engine compartment harness on the OBC assembly.



- b. Unscrew 9 plastic nuts of the motor heat insulation pad.



c. Remove the motor heat insulation pad ①.

Refitting procedure

The refitting procedure is performed in reverse order.

### 8.5.11 Front trunk trims

#### 8.5.11.1 Removal and refitting of engine compartment storage box assembly

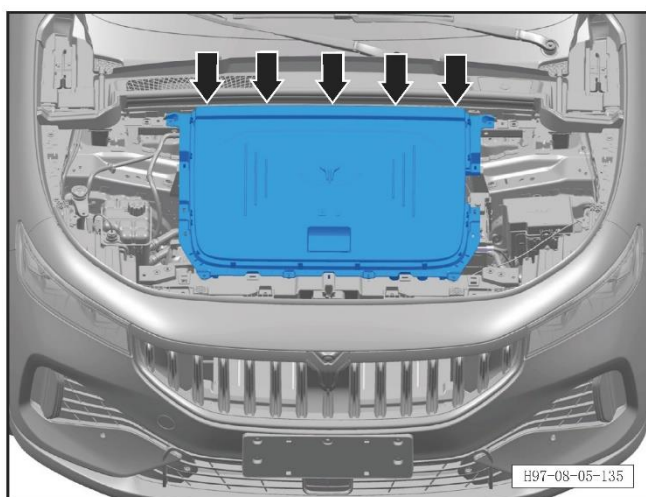
Removal procedure

1. Remove the engine compartment front trim panel assembly (refer to [8.6.6.10 Removal and refitting of engine compartment front trim panel assembly \(EV\)](#))
2. Remove the engine compartment front middle trim panel assembly (refer to [8.6.6.11 Removal and refitting of engine compartment middle trim panel assembly \(EV\)](#))
3. Remove the engine compartment storage box assembly.

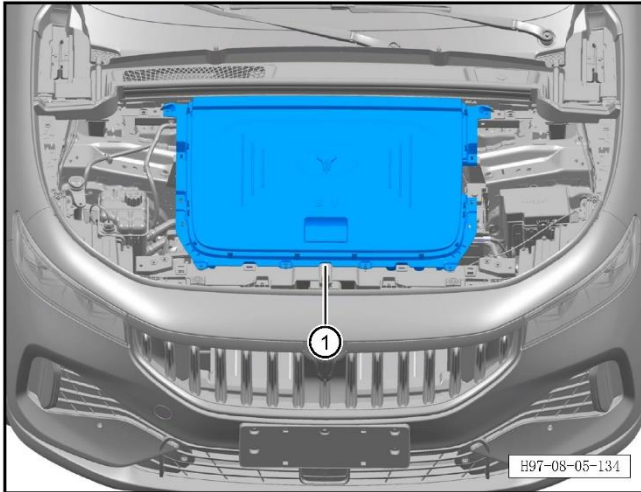


- a. Unscrew 8 fixing screws of the engine compartment storage box.

Tightening torque of bolt:  $8\pm 1\text{Nm}$ .



- b. Disengage 5 fixing clips of the engine compartment storage box.



c. Remove the engine compartment storage box assembly ①.

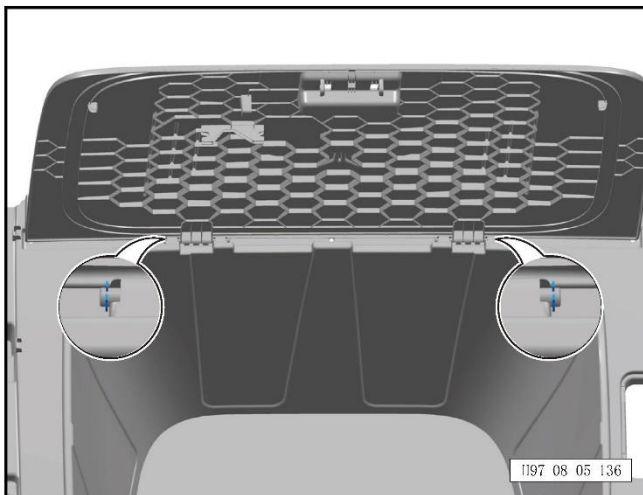
Refitting procedure

The refitting procedure is performed in reverse order.

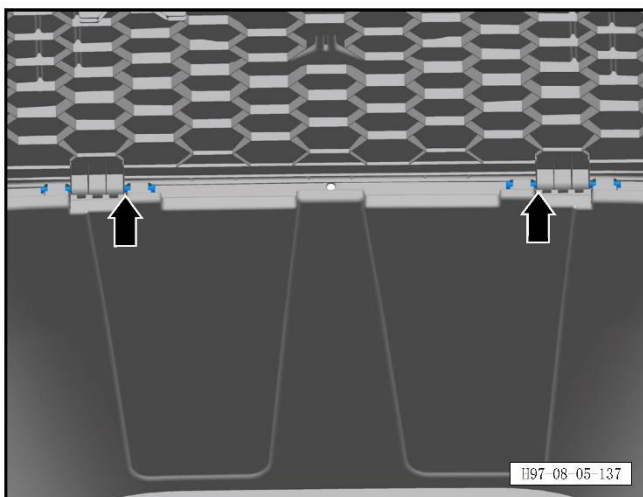
### 8.5.11.2 Removal and refitting of engine compartment storage box cover plate

Removal procedure

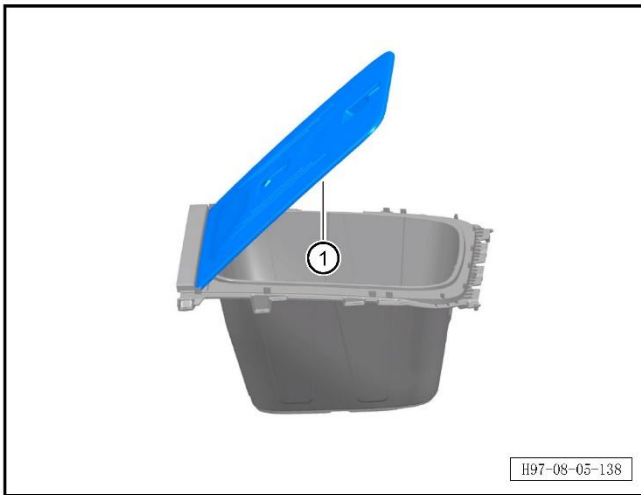
1. Remove the engine compartment front trim panel assembly (refer to [8.6.6.10 Removal and refitting of engine compartment front trim panel assembly \(EV\)](#))
2. Remove the engine compartment front middle trim panel assembly (refer to [8.6.6.11 Removal and refitting of engine compartment front middle trim panel assembly \(EV\)](#))
3. Remove the engine compartment storage box assembly (refer to [8.5.11.1 Removal and refitting of engine compartment storage box assembly](#))
4. Remove the engine compartment storage box cover plate.



- a. Disengage 2 fixing clips of the engine compartment storage box hinge.



- b. Disengage 2 fixing shafts of the engine compartment storage box hinge.



c. Remove the engine compartment storage box cover plate ①.

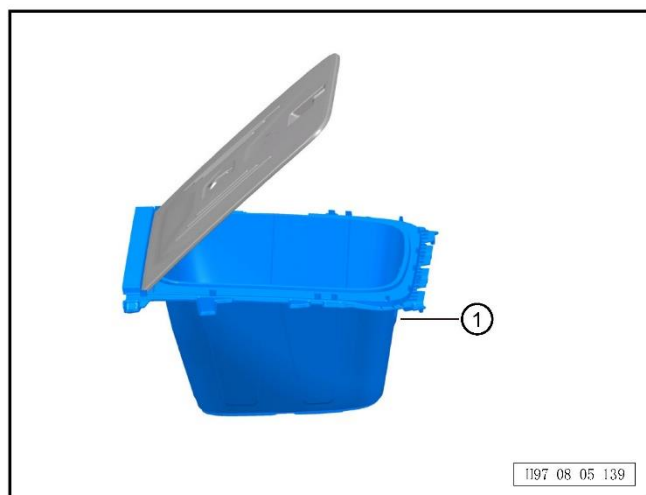
Refitting procedure

The refitting procedure is performed in reverse order.

### 8.5.11.3 Removal and refitting of engine compartment storage box body

Removal procedure

1. Remove the engine compartment front trim panel assembly (refer to [8.6.6.10 Removal and refitting of engine compartment front trim panel assembly \(EV\)](#))
2. Remove the engine compartment front middle trim panel assembly (refer to [8.6.6.11 Removal and refitting of engine compartment middle trim panel assembly \(EV\)](#))
3. Remove the engine compartment storage box assembly (refer to [8.5.11.1 Removal and refitting of engine compartment storage box assembly](#))
4. Remove the engine compartment storage box cover plate (refer to [8.5.11.2 Removal and refitting of engine compartment storage box cover plate](#))
5. Remove the engine compartment storage box body.



- a. Remove the engine compartment storage box body ①.

Refitting procedure

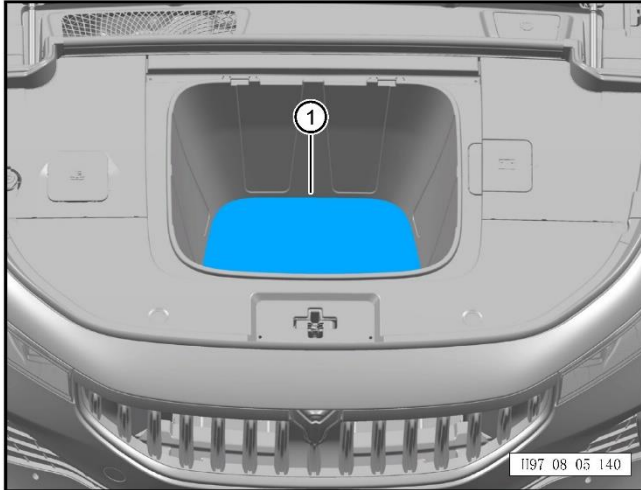
The refitting procedure is performed in reverse order.

#### 8.5.11.4 Removal and refitting of engine compartment storage box pad

Removal procedure

1. Open the engine compartment storage box cover plate.

a. Remove the engine compartment storage box pad ①.



Refitting procedure

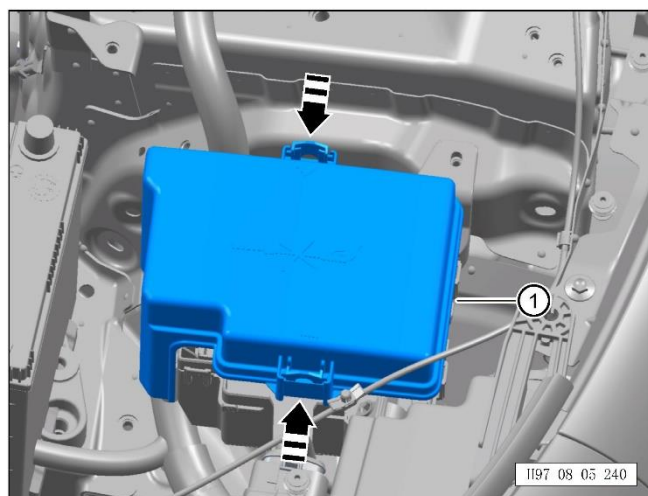
The refitting procedure is performed in reverse order.



### 8.5.11.5 Removal and refitting of fuse box cover

Removal procedure

1. Open the engine hood.
2. Remove the engine compartment left front trim panel assembly (refer to [8.6.6.20 Removal and refitting of engine compartment front trim panel assembly](#))
3. Remove the engine compartment front middle trim panel (refer to [8.6.6.21 Removal and refitting of engine compartment front middle trim panel assembly](#))
4. Remove the fuse box cover.



- a. Press the 2 fixing clips of the fuse cover in the direction (shown by arrow) at the same time.
- b. Remove the fuse box cover ①.

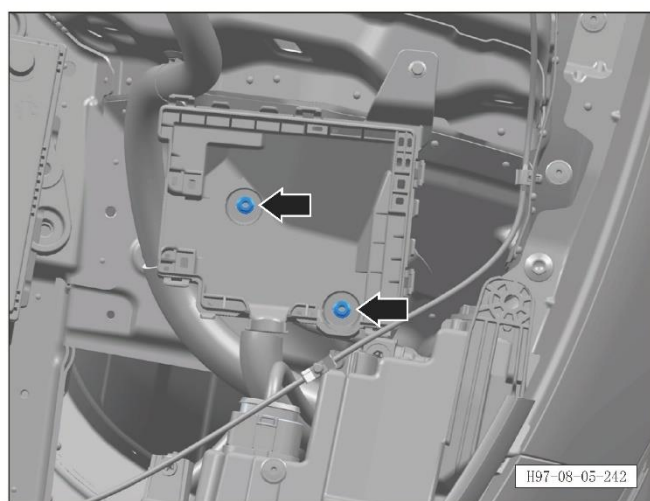
Refitting procedure

The refitting procedure is performed in reverse order.

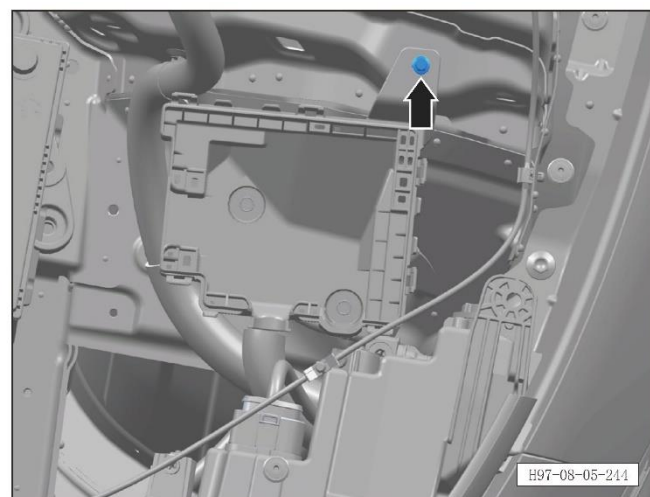
### 8.5.11.6 Removal and refitting of fuse box base

#### Removal procedure

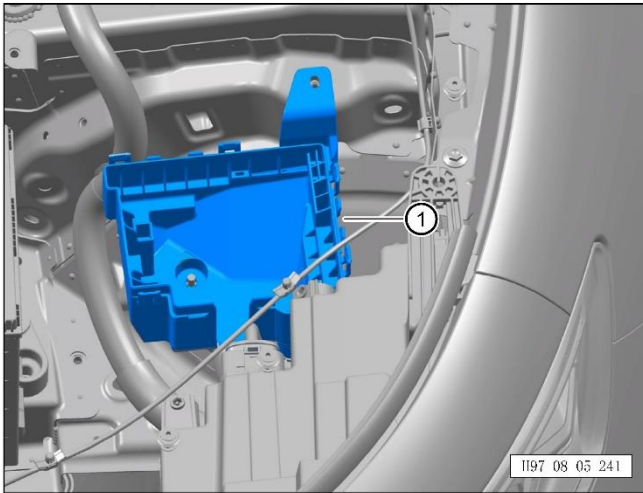
1. Open the engine hood.
2. Turn off all electrical appliances and the start switch.
3. Disconnect the battery negative terminal. Refer to [3.1.6.1 Maintenance and inspection battery](#)
4. Remove the fuse box cover (refer to [8.5.11.5 Removal and refitting of fuse box cover](#))
5. Remove the harness from the fuse box.
6. Remove the fuse box base.



- a. Unscrew 2 fixing nuts of the fuse box base.  
Tightening torque of nut:  $10\pm 2\text{Nm}$ .



- b. Unscrew 1 fixing bolt of the fuse box base.  
Tightening torque of bolt:  $10\pm 2\text{Nm}$ .



c. Remove the fuse box base ①.

Refitting procedure

The refitting procedure is performed in reverse order.

## 8.6 Exteriors

### 8.6.1 Precautions

- Before maintenance, cover the vulnerable components (such as fender, seat, etc.) with protection pads. In addition, clothes (e.g. button, etc.) may damage the surface of parts.
- As fastener is a quite important connecting component, the fastener of the same number shall be used in case of replacement, otherwise, fasteners of the same size and strength may be used. Failure to observe the above requirements may damage the main components or impair performance of the system or result in increased repair charge. Never use inferior or modified fastener and be sure to tighten the fastener to specified torque during refitting and make sure these fasteners are intact.
- For vehicles equipped with airbag system, remove and properly store the components that may collide with airbag system components when repairing the body in advance.
- When removing the outer trim panel, use the special loosening wedge to avoid damage to the trim panel surface.
- After removing the outer trim panel, check the fixing clips on the outer trim panel for damage and replace them if necessary.
- After removal and refitting of bumper and fender are done, adjust the clearance and flushness to specified value.

## 8.6.2 Window trims

### 8.6.2.1 Removal and refitting of front door B-pillar trim panel assembly

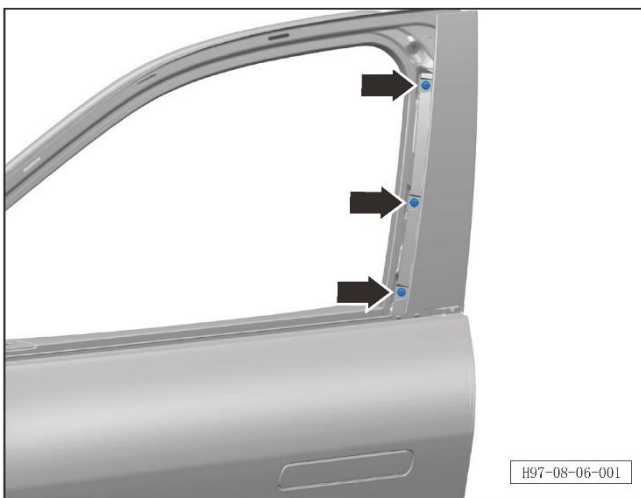
Removal procedure

Note:

- The following is the removal and refitting of the left front door B-pillar trim panel assembly, which can be referred to for the operations on the right side.

1. Remove the left front door window outer sealing strip assembly (refer to [7.2.4.8 Removal and refitting of front door window outer sealing strip assembly](#))

2. Remove the left front door B-pillar trim panel assembly.

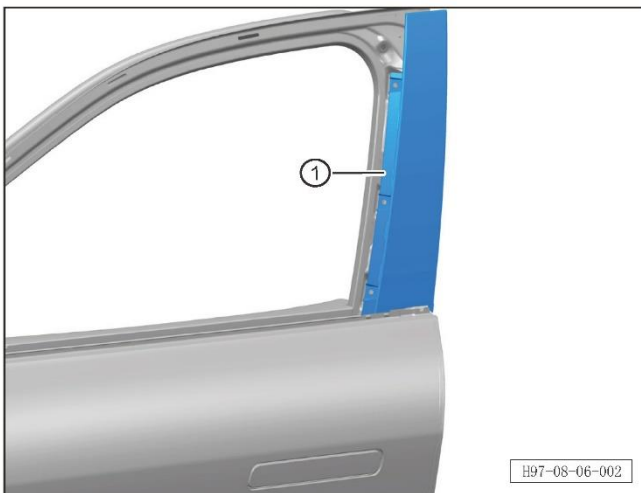


a. Open the left front door and lower the left front door window.

b. Detach the door frame window channel of the left front door B-pillar trim panel assembly.

c. Unscrew 3 fixing screws of the left front door B-pillar trim panel assembly.

Tightening torque of screw:  $2.5 \pm 0.4 \text{ Nm}$ .



d. Remove the left front door B-pillar trim panel assembly ①.

Refitting procedure

The refitting procedure is performed in reverse order.

**CAUTION:**

- Check the fixing clips for damage and replace them if necessary.

### 8.6.2.2 Removal and refitting of rear door B-pillar trim panel assembly

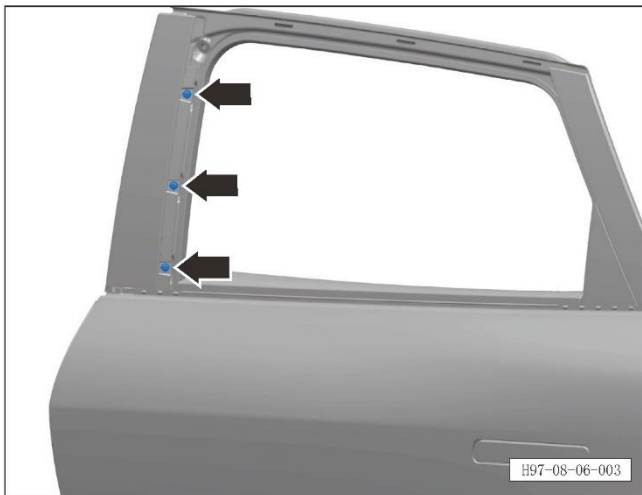
Removal procedure

Note:

- The following is the removal and refitting of the left rear door B-pillar trim panel assembly, which can be referred to for the operations on the right side.

1. Remove the left rear door outer sealing strip assembly (refer to [7.3.4.7 Removal and refitting of rear door window outer sealing strip assembly](#))

2. Remove the left rear door B-pillar trim panel assembly.

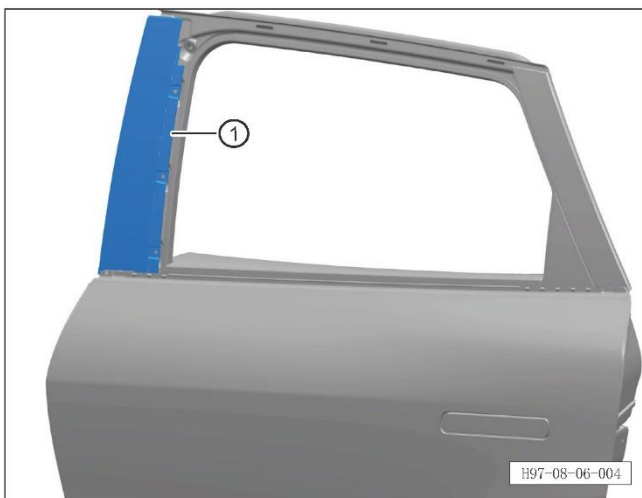


a. Open the left rear door and lower the left rear door window.

b. Detach the door frame window channel of the left rear door B-pillar trim panel assembly.

c. Unscrew 3 fixing screws of the left rear door B-pillar trim panel assembly.

Tightening torque of screw:  $2.5 \pm 0.4 \text{ Nm}$ .



d. Remove the left rear door B-pillar trim panel assembly ①.

Refitting procedure

The refitting procedure is performed in reverse order.

**CAUTION:**

- Check the fixing clips for damage and replace them if necessary.

### 8.6.2.3 Removal and refitting of rear door C-pillar trim panel assembly

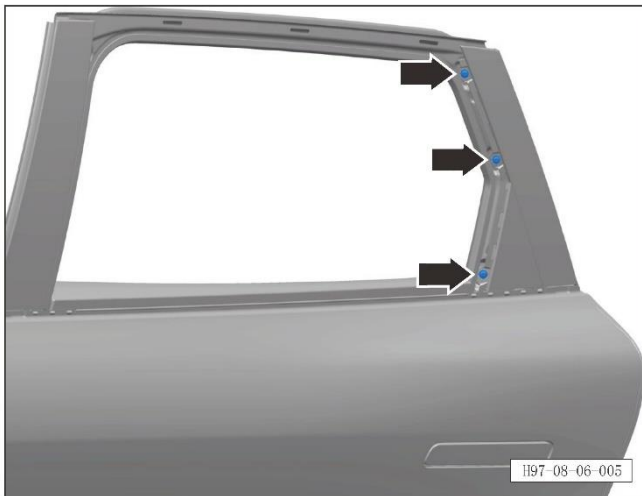
Removal procedure

Note:

- The following is the removal and refitting of the left rear door C-pillar trim panel assembly, which can be referred to for the operations on the right side.

1. Remove the left rear door sill outer sealing strip assembly (refer to [7.3.4.7 Removal and refitting of rear door sill outer sealing strip assembly](#))

2. Remove the left rear door C-pillar trim panel assembly.

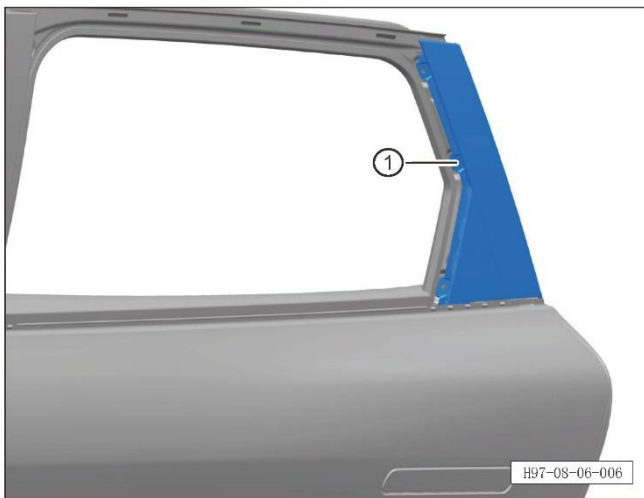


a. Open the left rear door and lower the left rear door window.

b. Detach the door frame window channel of the left rear door C-pillar trim panel assembly.

c. Unscrew 3 fixing screws of the left rear door C-pillar trim panel assembly.

Tightening torque of screw:  $2.5 \pm 0.4 \text{ Nm}$ .



d. Remove the left front door C-pillar trim panel assembly ①.

Refitting procedure

The refitting procedure is performed in reverse order.

**CAUTION:**

- Check the fixing clips for damage and replace them if necessary.

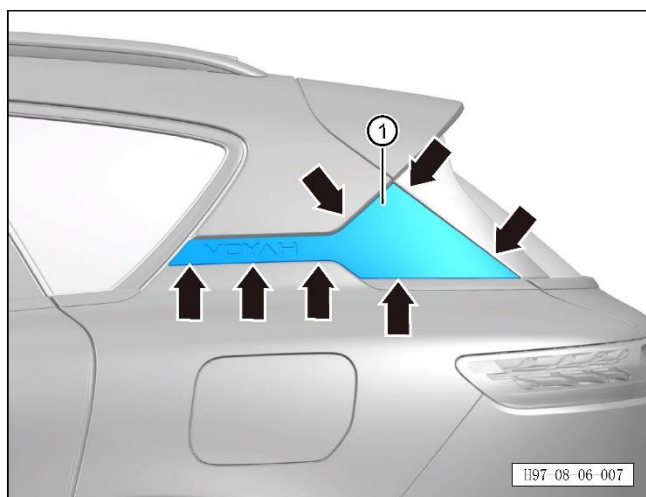
### 8.6.2.4 Removal and refitting of side rear wall D-pillar trim panel assembly

Removal procedure

Note:

- The following is the removal and refitting of the left rear wall D-pillar trim panel assembly, which can be referred to for the operations on the right side.

1. Remove the left rear wall D-pillar trim panel assembly.



a. Disengage 7 fixing clips of the left rear wall D-pillar trim panel assembly.

b. Remove the left rear wall D-pillar trim panel assembly ①.

Refitting procedure

The refitting procedure is performed in reverse order.

**CAUTION:**

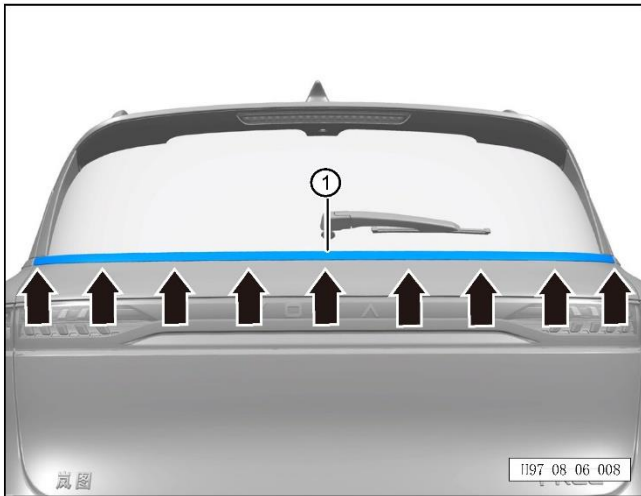
- Check the fixing clips for damage and replace them if necessary.



**8.6.2.5 Removal and refitting of tailgate trim strip**

Removal procedure

1. Remove the tailgate trim strip.
  - a. Disengage 9 fixing clips of the tailgate trim strip.
  - b. Remove the tailgate trim strip ①.



Refitting procedure

The refitting procedure is performed in reverse order.

**CAUTION:**

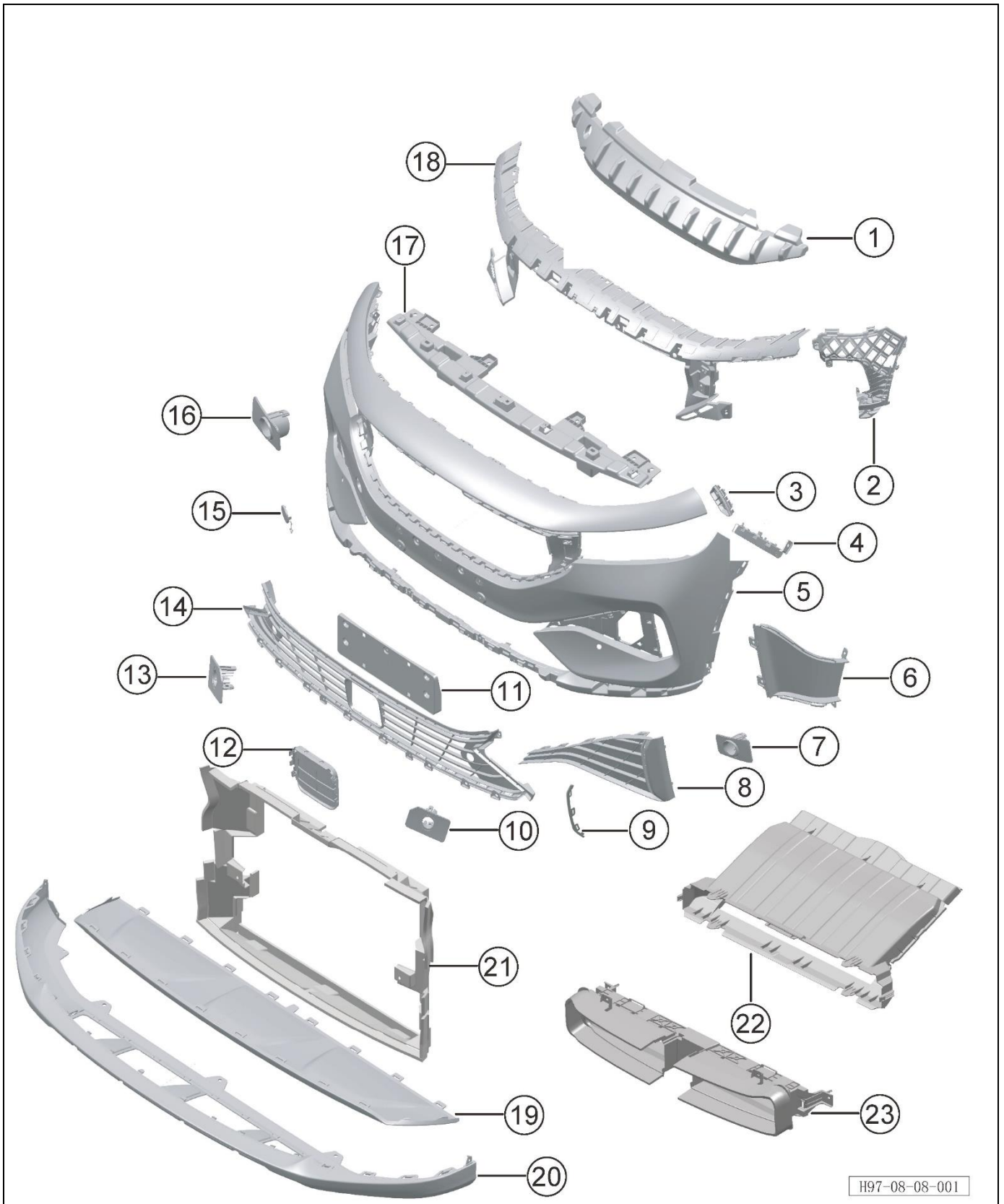
- Check the fixing clips for damage and replace them if necessary.

### 8.6.3 Bumper and grille system

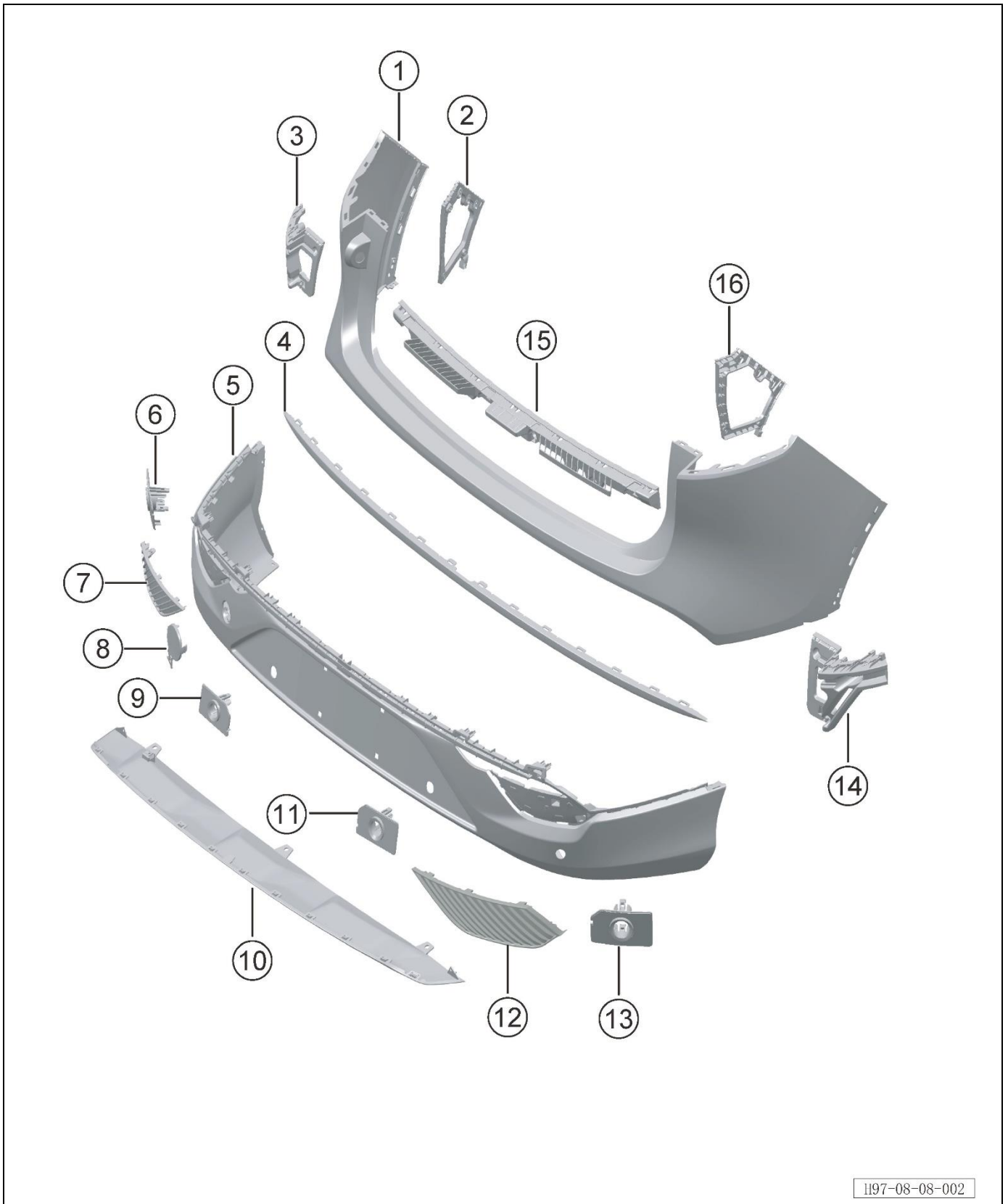
#### 8.6.3.1 Position diagram of parts



8.6.3.2 Exploded view of structure



S/N	Part name	Loading quantity	Remarks
1	Front bumper energy absorption block	1	
2	Front bumper left support plate	1	
3	Front bumper upper left mount	1	
4	Front bumper left mount	1	
5	Front bumper skin	1	
6	Front bumper left airbag curtain inner panel	1	
7	Front radar bracket L3	1	
8	Front bumper left trim panel	1	
9	Front bumper lower grille left trim strip	1	
10	Front radar bracket L2	1	
11	Front license plate bracket	1	
12	Front bumper lower grille cover	1	
13	Front radar bracket R2	1	
14	Front bumper lower grille	1	
15	plug - front bracket	1	
16	Front radar bracket R1	1	
17	Front bumper middle bracket	1	
18	Front bumper middle support plate	1	
19	Front bumper lower skin	1	
20	Front bumper lower trim panel	1	
21	radiator air deflector	1	REV
22	AGS rear air deflector	1	EV
23	radiator air deflector	1	EV



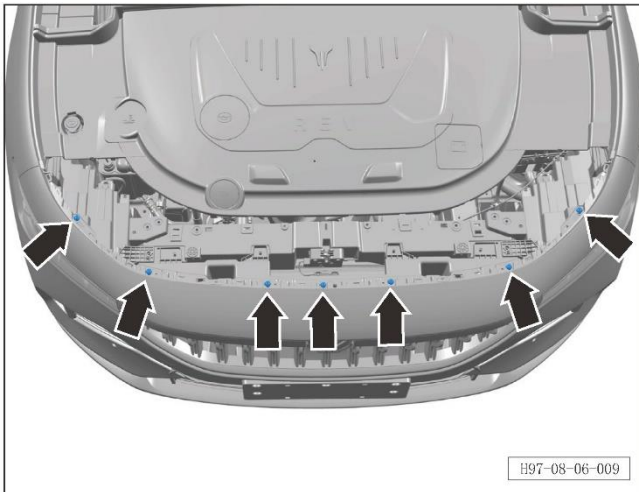
1197-08-08-002

S/N	Part name	Loading quantity	Remarks
1	Rear bumper skin	1	
2	Rear bumper left mount	1	
3	Rear bumper upper left mount	1	
4	Rear bumper middle trim strip	1	
5	Rear bumper lower skin	1	
6	Left rear radar bracket 2	1	
7	Rear bumper left trim panel	1	
8	plug - rear bracket	1	
9	Left rear radar bracket	1	
10	Rear bumper lower trim panel	1	
11	Right rear radar bracket	1	
12	Rear bumper right trim panel	1	
13	Right rear radar bracket	1	
14	Rear bumper upper right mount	1	
15	Rear bumper upper mount	1	
16	Rear bumper right mount	1	

### 8.6.3.3 Removal and refitting of front bumper assembly

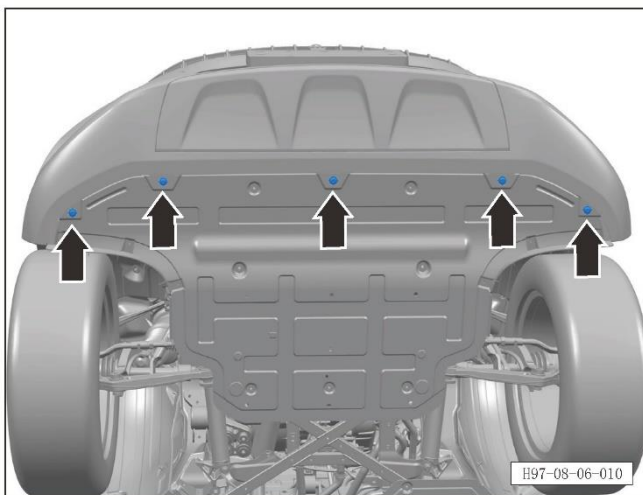
#### Removal procedure

1. Turn off all electrical appliances and turn off the start switch.
2. Disconnect the battery negative terminal (refer to [3.1.6.1 Maintenance and inspection of battery](#))
3. Remove the left and right front wheel trims (refer to [8.6.6.4 Removal and refitting of front wheel trim assembly](#))
4. Remove the engine compartment front middle trim panel assembly (refer to [8.6.6.21 Removal and refitting of engine compartment front middle trim panel assembly](#))
5. Remove the front bumper assembly



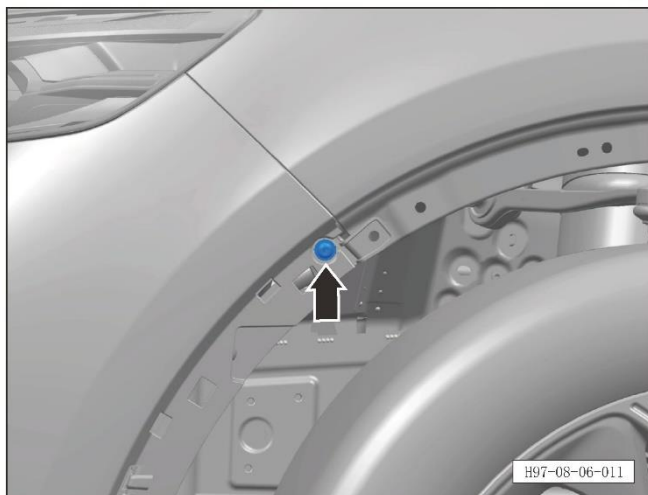
- a. Unscrew 7 fixing screws on the upper part of the front bumper assembly.

Tightening torque of screw:  $2\pm 0.5\text{Nm}$ .



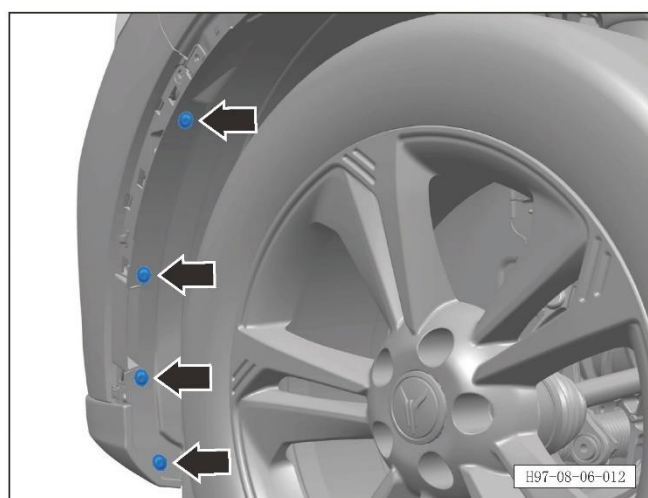
- b. Unscrew 5 fixing screws on the lower part of the front bumper assembly.

Tightening torque of screw:  $2\pm 0.5\text{Nm}$ .



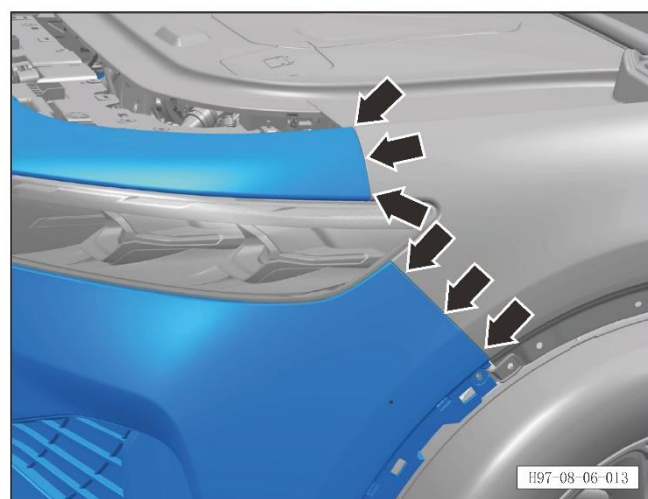
c. Unscrew 1 fixing screw on the left side of the front bumper assembly.

Tightening torque of screw:  $2\pm 0.5\text{Nm}$ .



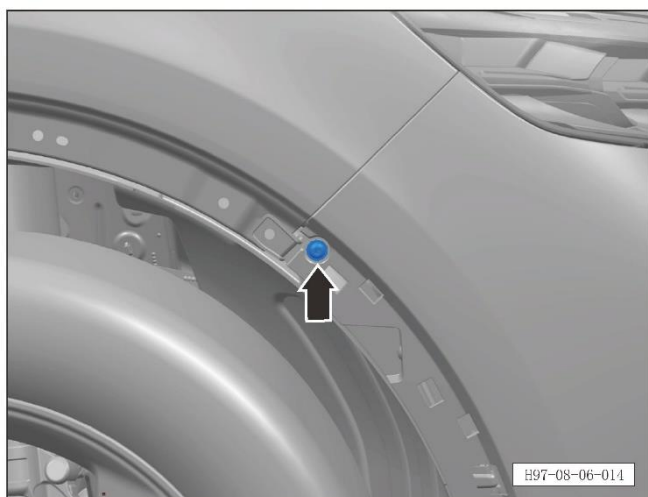
d. Unscrew 4 fixing screws at the front of the left front wheel housing mudguard assembly.

Tightening torque of screw:  $2\pm 0.5\text{Nm}$ .



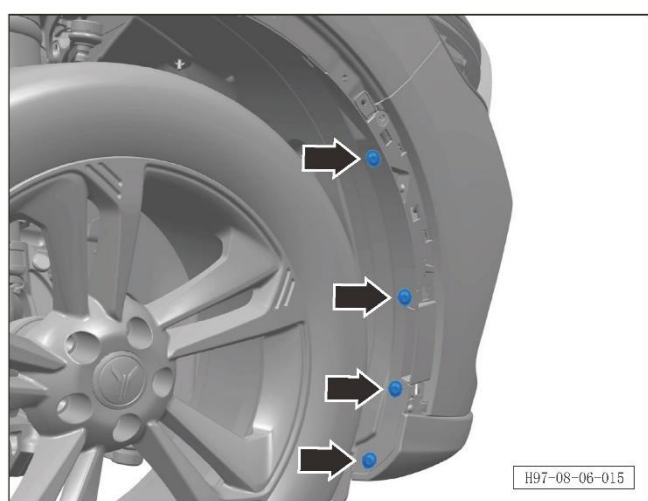
e. Remove 6 fixing clips on the left side of the front bumper assembly and the fender.





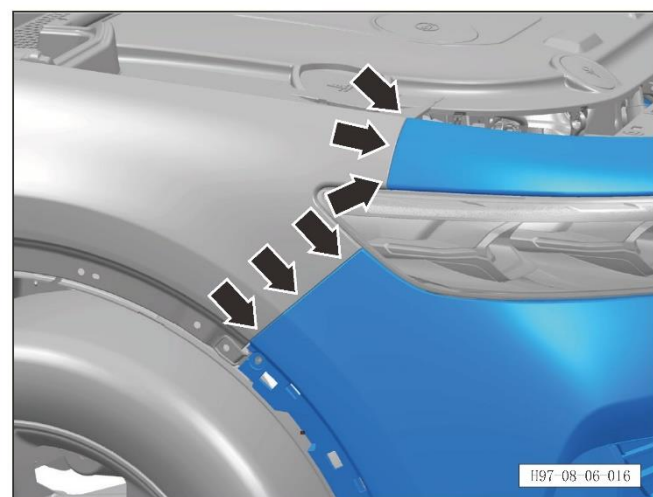
f. Unscrew 1 fixing screw on the right side of the front bumper assembly.

Tightening torque of screw:  $2\pm 0.5\text{Nm}$ .



g. Unscrew 4 fixing screws at the front of the right front wheel housing mudguard assembly.

Tightening torque of screw:  $2\pm 0.5\text{Nm}$ .



h. Disengage 6 fixing clips on the right side of the front bumper assembly and the fender.



- i. Disconnect the front bumper harness from the engine compartment left harness connector.
- j. Remove the front bumper and grille system ①.

k. Remove the left and right front position lamps (refer to [8.6.6.4 Removal and refitting of front wheel trim assembly](#))

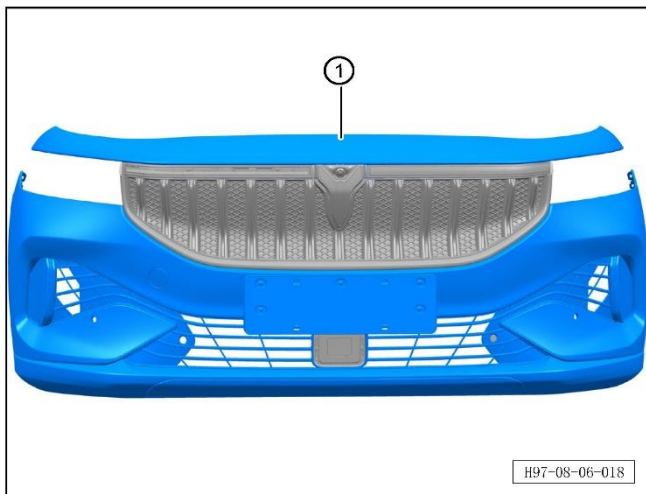
l. Remove the front grille assembly (refer to [8.6.3.9 Removal and refitting of front grille assembly](#))

m. Remove the forward millimeter-wave radar (refer to [9.10.3.3 Removal and refitting of forward millimeter-wave radar](#))

n. Remove the front logo.

o. Remove the front view camera assembly (refer to [9.10.4.1 Removal and refitting of front view camera assembly](#))

p. Remove the front bumper assembly ①.



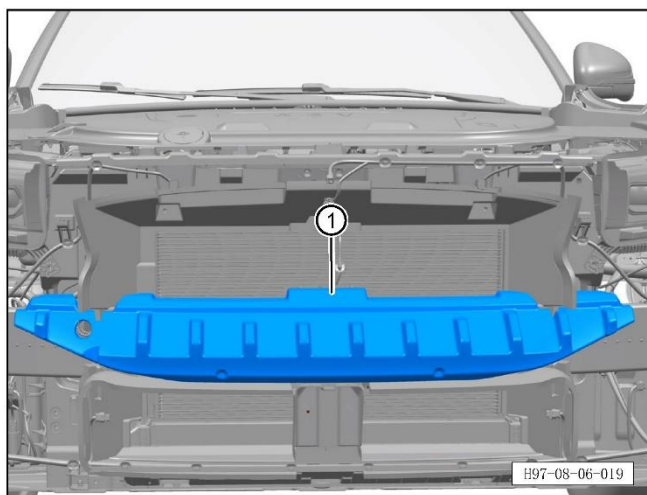
Refitting procedure

The refitting procedure is performed in reverse order.

### 8.6.3.4 Removal and refitting of front bumper energy-absorbing block

Removal procedure

1. Remove the front bumper (refer to [8.6.3.3 Removal and refitting of front bumper assembly](#))
2. Remove the front bumper energy absorption block.
  - a. Take off the front bumper energy absorption block ①.



Refitting procedure

The refitting procedure is performed in reverse order.

### 8.6.3.5 Removal and refitting of front bumper mount

Removal procedure

Note:

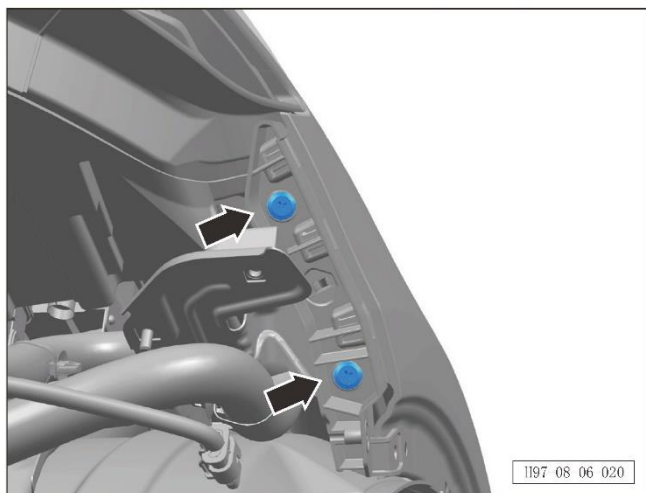
- The following is the removal and refitting of the front bumper left mount, which can be referred to for the operations on the right side.

1. Remove the front bumper (refer to [8.6.3.3 Removal and refitting of front bumper assembly](#))

2. Remove the front bumper left mount.

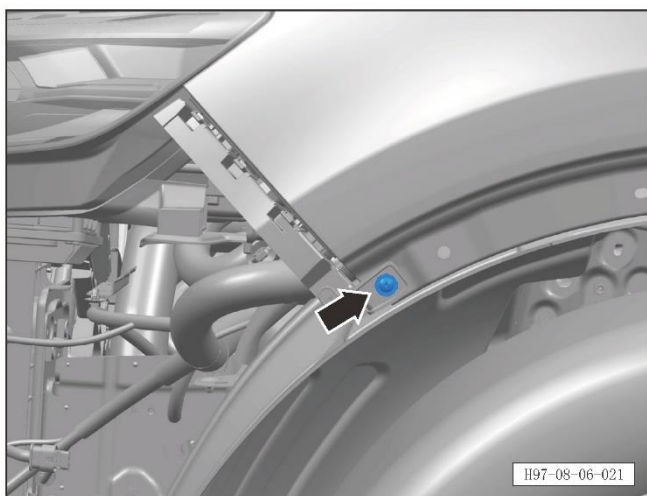
a. Unscrew 2 fixing bolts on the front bumper left mount

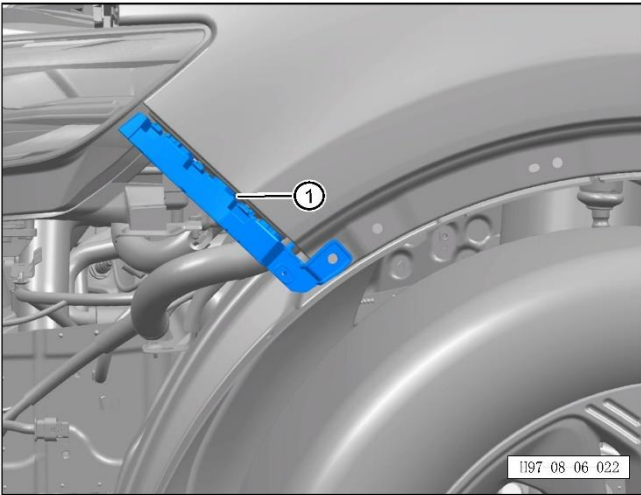
Tightening torque of bolt:  $4\pm 1\text{Nm}$ .



b. Unscrew 1 fixing screw on the front bumper left mount.

Tightening torque of screw:  $2\pm 0.5\text{Nm}$ .





c. Remove the front bumper left mount ①.

Refitting procedure

The refitting procedure is performed in reverse order.

### 8.6.3.6 Removal and refitting of front bumper left upper mount

Removal procedure

Note:

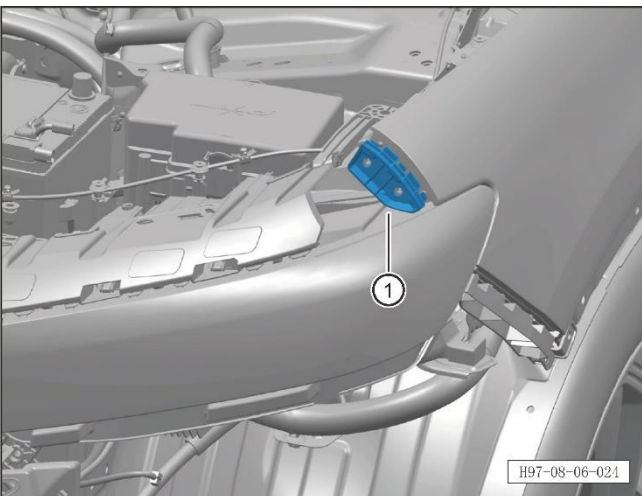
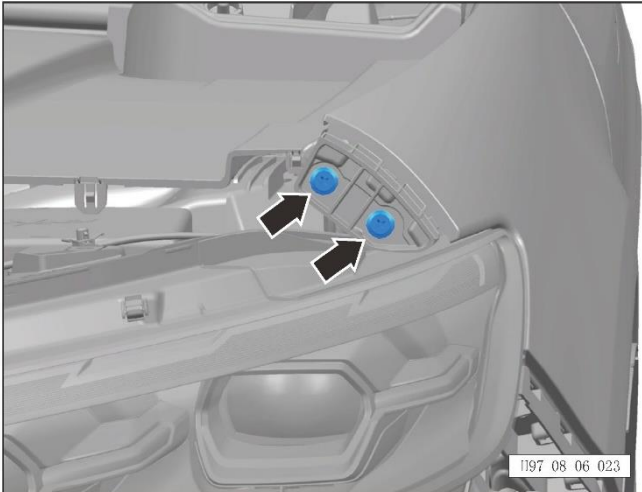
- The following is the removal and refitting of the front bumper left upper mount, which can be referred to for the operations on the right side.

1. Remove the front bumper (refer to [8.6.3.3 Removal and refitting of front bumper assembly](#))

2. Remove the front bumper left upper mount.

a. Unscrew 2 fixing bolts of the front bumper left upper mount.

Tightening torque of bolt:  $4\pm 1\text{Nm}$ .



b. Remove the front bumper left upper mount ①.

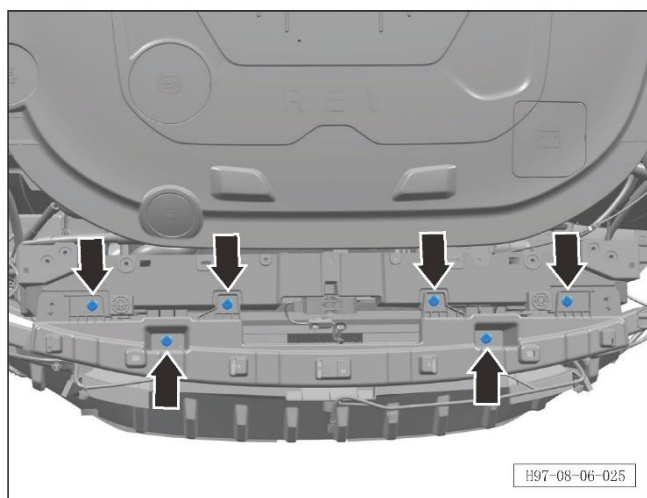
Refitting procedure

The refitting procedure is performed in reverse order.

### 8.6.3.7 Removal and refitting of front bumper middle bracket

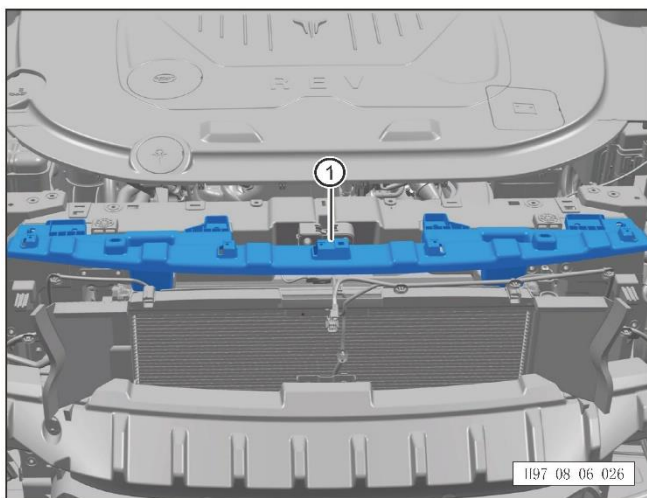
Removal procedure

1. Remove the front bumper (refer to [8.6.3.3 Removal and refitting of front bumper assembly](#))
2. Remove the left and right headlamp assemblies (refer to [9.9.3.1 Removal and refitting of headlamp](#))
3. Remove the front bumper middle bracket.



- a. Unscrew 6 fixing bolts of the front bumper middle bracket.

Tightening torque of bolt:  $5\pm 1\text{Nm}$ .



- b. Remove the front bumper middle bracket ①.

Refitting procedure

The refitting procedure is performed in reverse order.

### 8.6.3.8 Removal and refitting of front bumper middle support plate

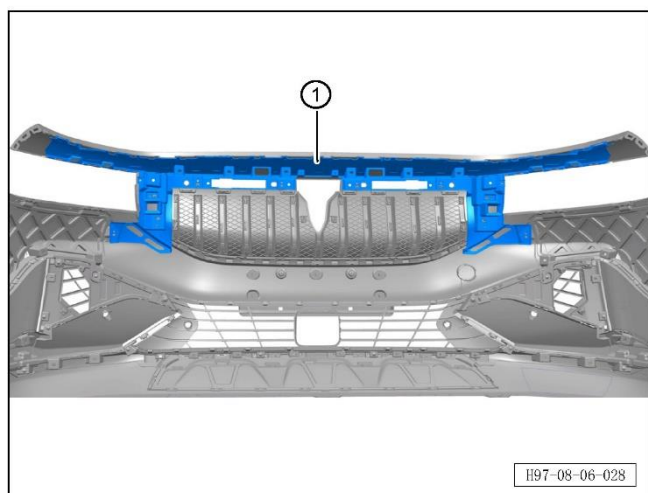
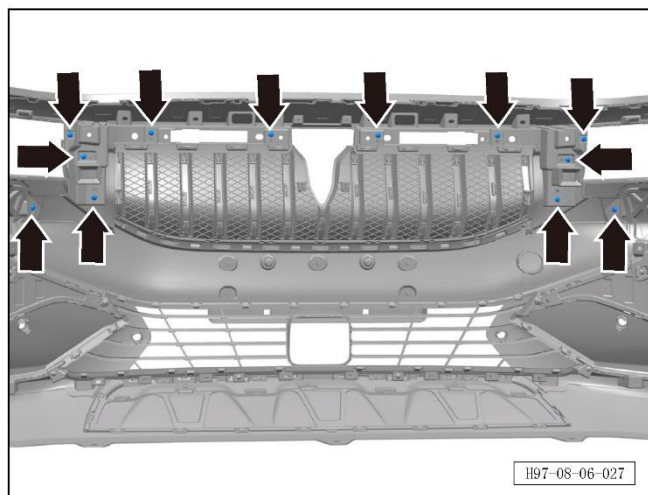
Removal procedure

1. Remove the front bumper (refer to [8.6.3.3 Removal and refitting of front bumper assembly](#))

2. Remove the front bumper middle support plate.

a. Unscrew 12 fixing screws of the front bumper middle support plate.

Tightening torque of screws:  $5\pm 1\text{Nm}$ .



b. Remove the front bumper middle support plate ①.

Refitting procedure

The refitting procedure is performed in reverse order.



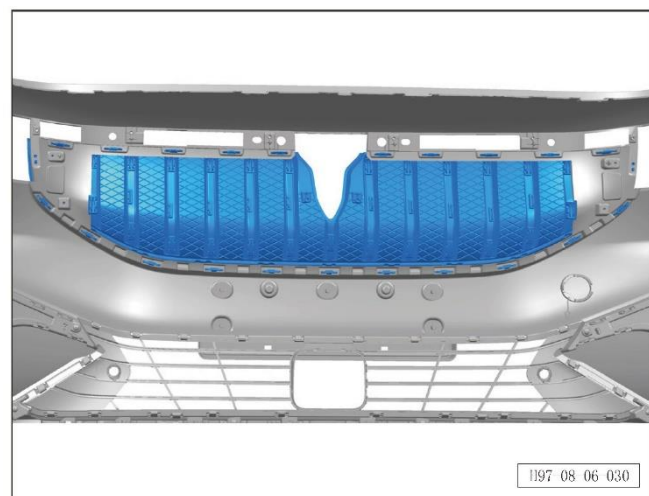
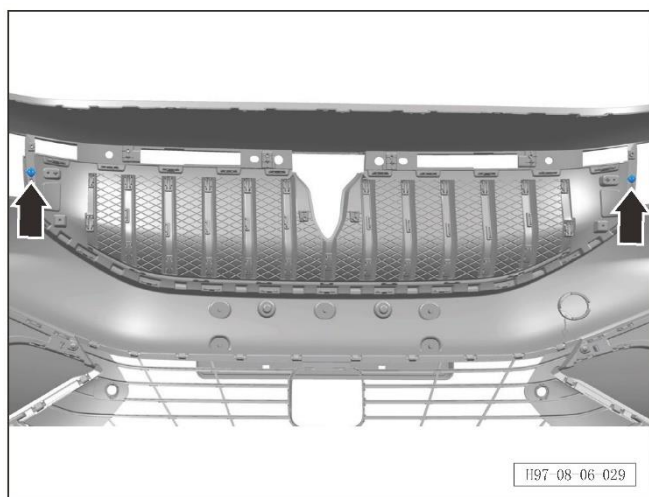
### 8.6.3.9 Removal and refitting of front grille assembly

Removal procedure

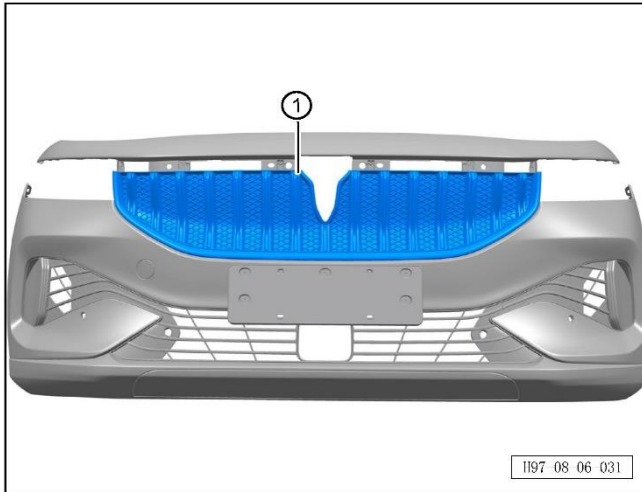
1. Remove the front bumper (refer to [8.6.3.3 Removal and refitting of front bumper assembly](#))
2. Remove the front bumper middle support plate (refer to [8.6.3.8 Removal and refitting of front bumper middle support plate](#))
3. Remove the front grille assembly.

a. Unscrew 2 fixing screws of the front grille assembly.

Tightening torque of screw:  $2\pm 1\text{Nm}$



b. Disengage the fixing clips of the front grille assembly and the front bumper assembly.



c. Remove the front grille assembly ①.

Refitting procedure

The refitting procedure is performed in reverse order.

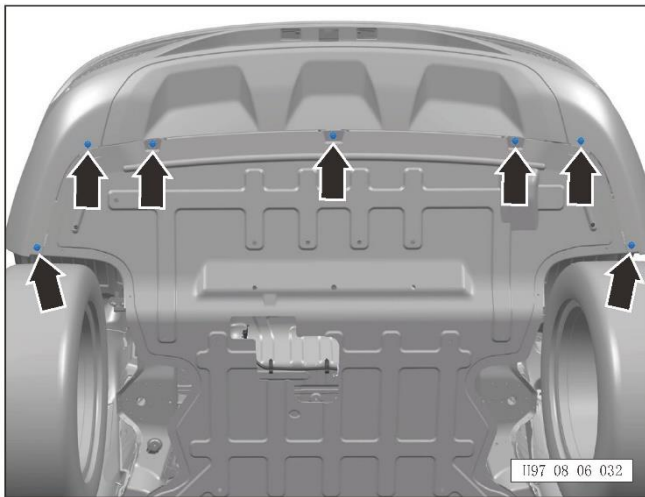
**CAUTION:**

- Check the fixing clips for damage and replace them if necessary.

### 8.6.3.10 Removal and refitting of rear bumper assembly

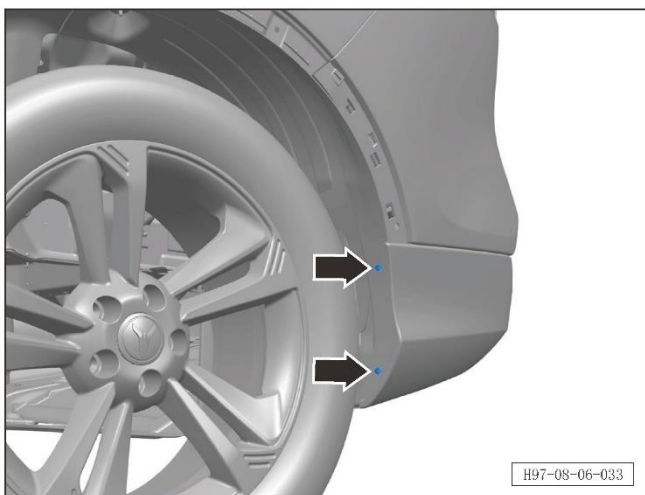
#### Removal procedure

1. Turn off all electrical appliances and turn off the start switch.
2. Disconnect the battery negative terminal. Refer to [3.1.6.1 Maintenance and inspection battery](#)
3. Remove the left and right rear wheel trims (refer to [8.6.6.5 Removal and refitting of front section of rear wheel trim assembly](#))
4. Remove the rear combination lamp assembly (refer to [9.9.4.1 Removal and refitting of rear combination lamp](#))
5. Remove the left and right upper tailgate stoppers (refer to [7.4.4.4 Removal and refitting of upper tailgate stopper](#))
6. Remove the rear bumper assembly



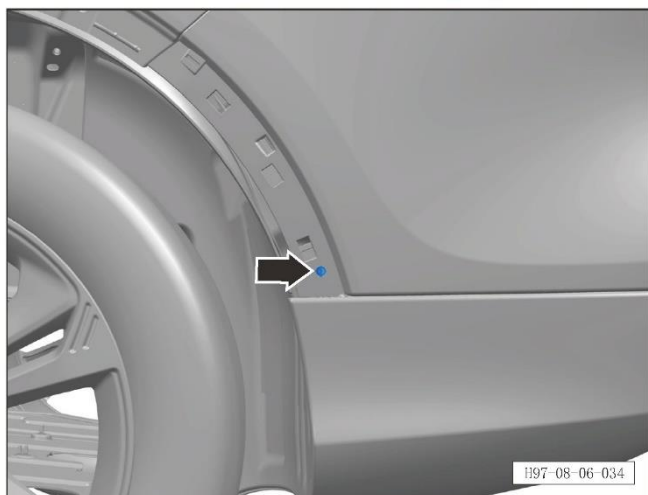
- a. Unscrew 7 fixing screws on the lower part of the rear bumper assembly.

Tightening torque of screws:  $4\pm 1\text{Nm}$ .



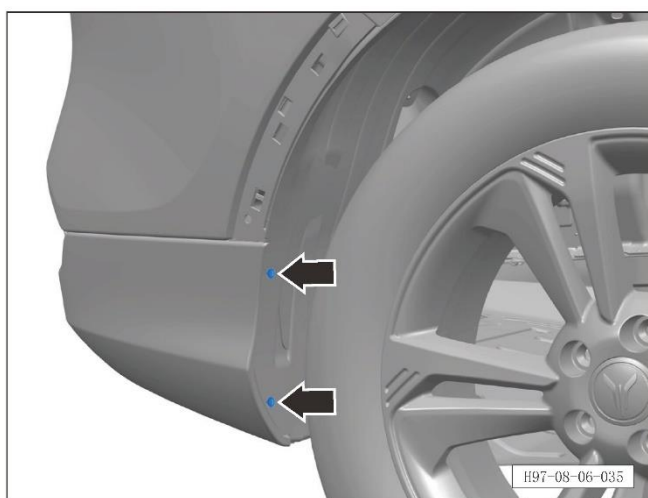
- b. Unscrew 2 fixing screws on the lower part of the left rear wheel housing mudguard assembly.

Tightening torque of screw:  $2\pm 1\text{Nm}$ .



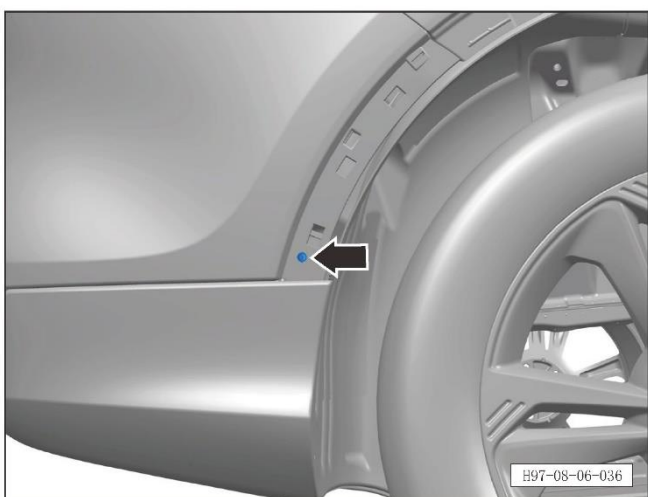
c. Unscrew 1 fixing screw on the left side of the rear bumper assembly.

Tightening torque of screw:  $1.5\pm 0.5\text{Nm}$ .



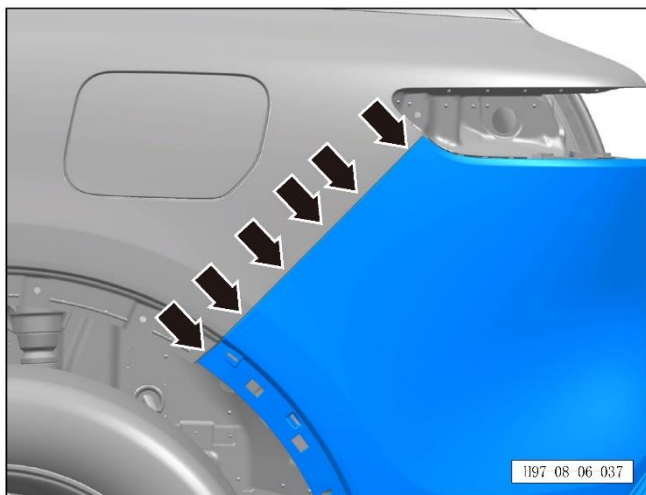
d. Unscrew 2 fixing screws on the lower part of the right rear wheel housing mudguard assembly.

Tightening torque of screw:  $2\pm 1\text{Nm}$ .

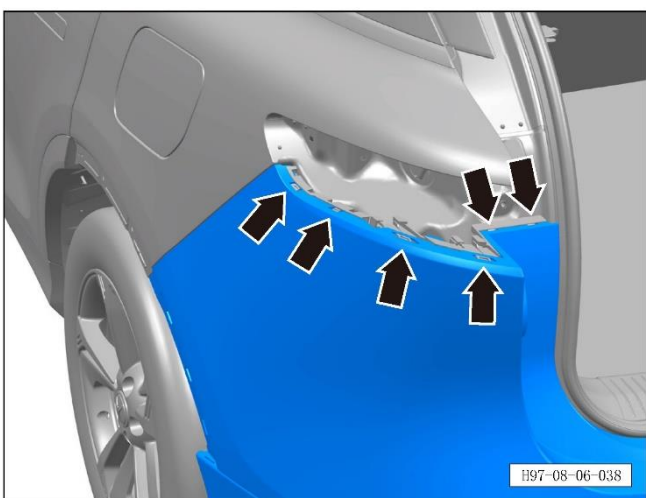


e. Unscrew 1 fixing screw on the right side of the rear bumper assembly.

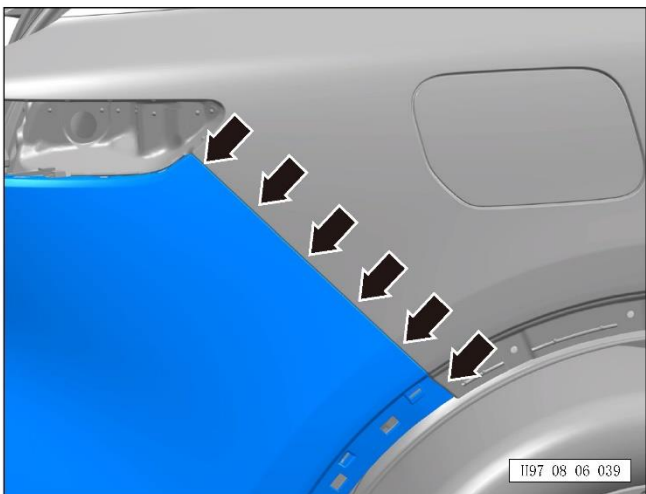
Tightening torque of screw:  $1.5\pm 0.5\text{Nm}$ .



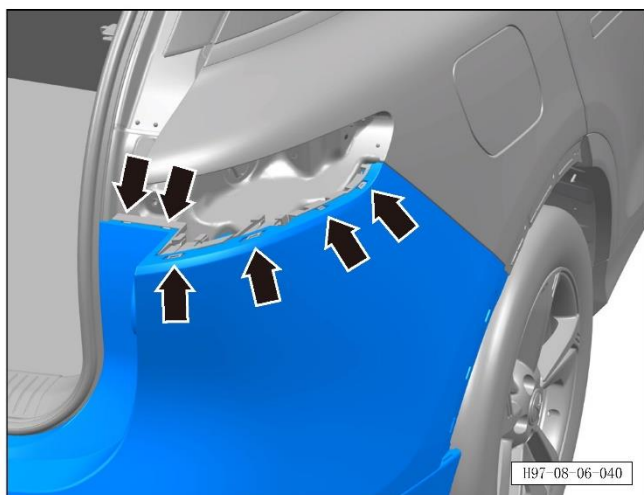
f. Disengage 6 fixing clips of the rear bumper left mount.



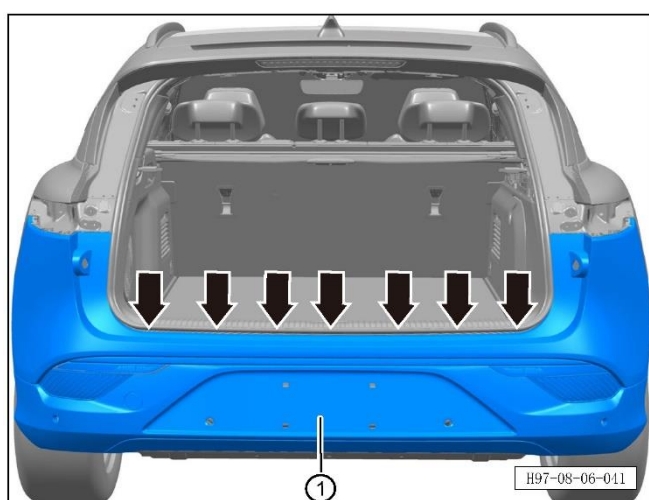
g. Disengage 6 fixing clips of the rear bumper left upper mount.



h. Disengage 6 fixing clips of the rear bumper right mount.



i. Disengage 6 fixing clips of the rear bumper upper right mount.



j. Disengage 7 fixing clips of the rear bumper upper mount.

k. Disconnect the rear bumper harness and chassis harness connectors, and remove the rear bumper assembly ①.

Refitting procedure

The refitting procedure is performed in reverse order.

**CAUTION:**

- Check the fixing clips for damage and replace them if necessary.

### 8.6.3.11 Removal and refitting of rear bumper left mount

Removal procedure

Note:

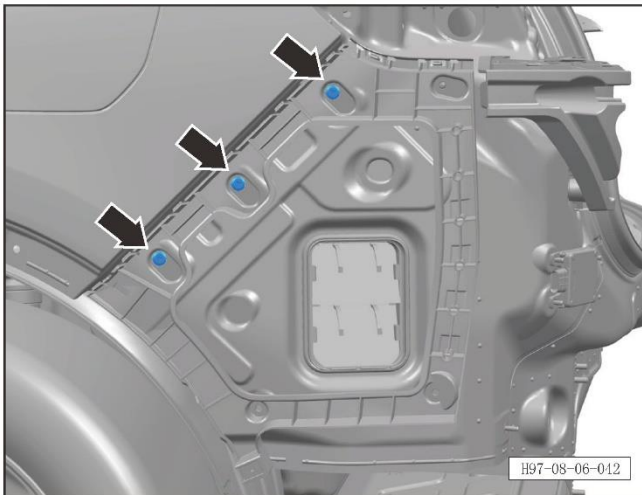
- The following is the removal and refitting of the rear bumper left mount, which can be referred to for the operations on the right side.

1. Remove the rear bumper assembly (refer to [8.6.3.10 Removal and refitting of front bumper assembly](#))

2. Remove the rear bumper left mount.

a. Unscrew 3 fixing bolts of the rear bumper left mount.

Tightening torque of bolt:  $4\pm 1\text{Nm}$ .

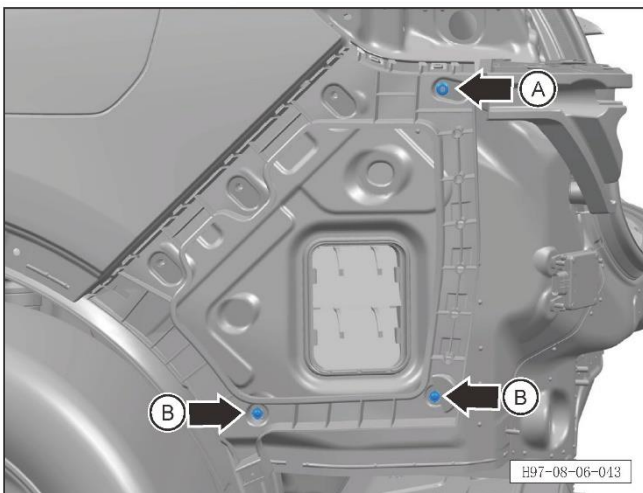


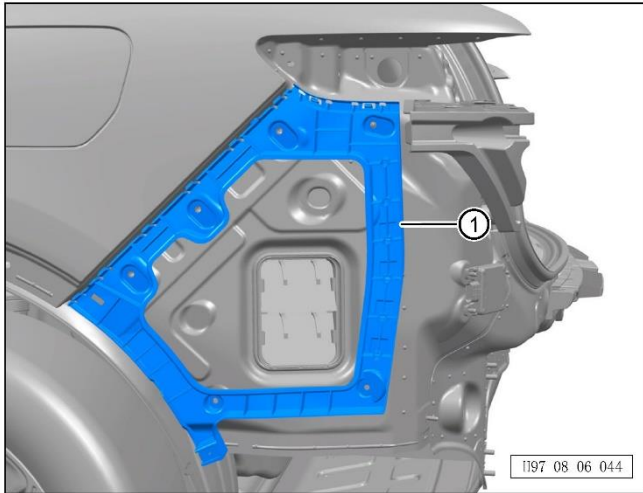
b. Unscrew 1 fixing nut A of the rear bumper left mount.

Tightening torque of nut:  $4\pm 1\text{Nm}$ .

c. Unscrew 2 fixing screws B of the rear bumper left mount.

Tightening torque of screws:  $4\pm 1\text{Nm}$ .





d. Remove the rear bumper left mount ①.

Refitting procedure

The refitting procedure is performed in reverse order.



### 8.6.3.12 Removal and refitting of rear bumper left upper mount

Removal procedure

Note:

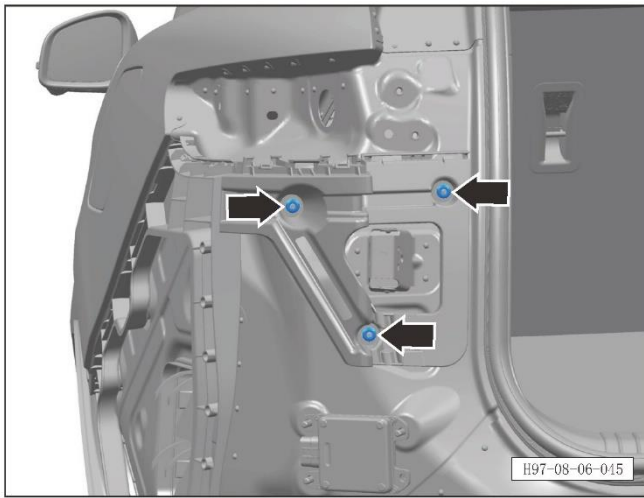
- The following is the removal and refitting of the rear bumper left upper mount, which can be referred to for the operations on the right side.

1. Remove the rear bumper assembly (refer to [8.6.3.10 Removal and refitting of front bumper assembly](#))

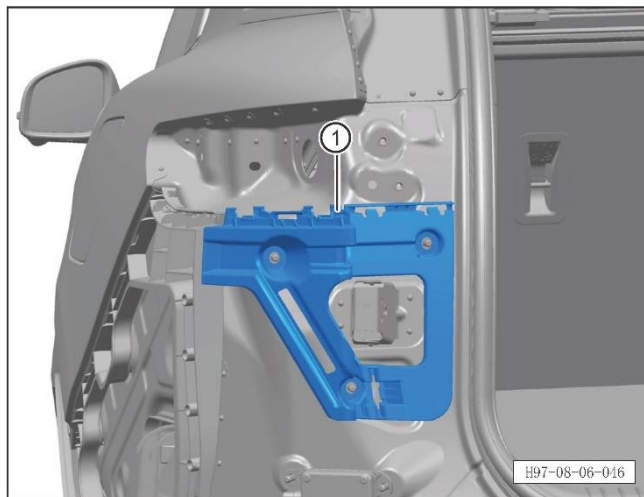
2. Remove the rear bumper left upper mount.

a. Unscrew 3 fixing nuts of the rear bumper left upper mount.

Tightening torque of nut:  $4\pm 1\text{Nm}$ .



b. Remove the rear bumper left upper mount ①.



Refitting procedure

The refitting procedure is performed in reverse order.

### 8.6.3.13 Removal and refitting of rear bumper left upper mount

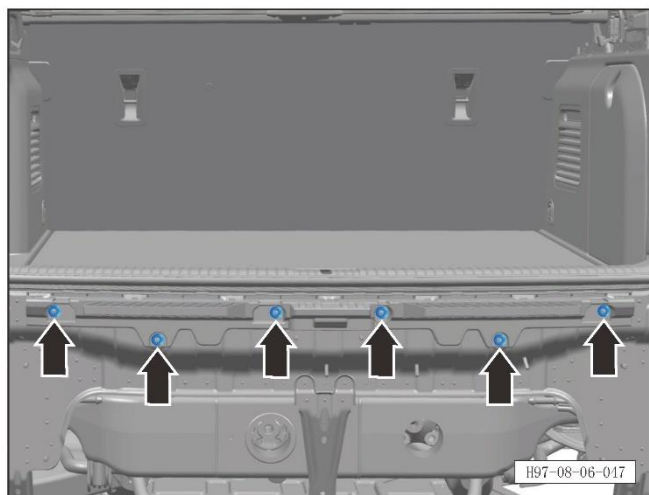
Removal procedure

1. Remove the rear bumper assembly (refer to [8.6.3.10 Removal and refitting of front bumper assembly](#))

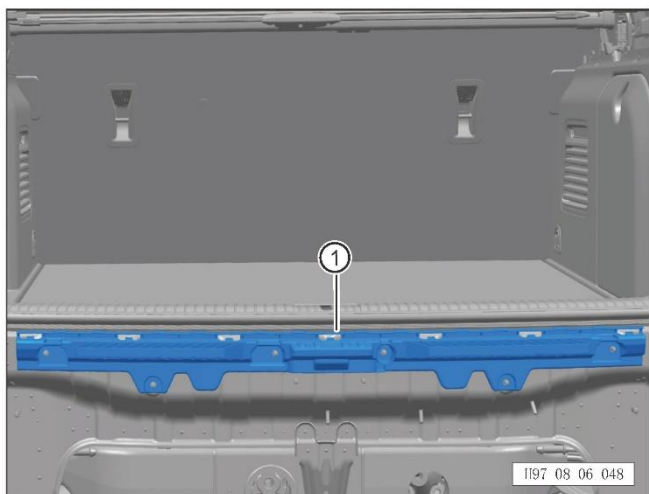
2. Remove the rear bumper left upper mount.

a. Unscrew 6 fixing nuts of the rear bumper left upper mount.

Tightening torque of nut:  $4\pm 1\text{Nm}$ .



b. Remove the rear bumper left upper mount ①.



Refitting procedure

The refitting procedure is performed in reverse order.

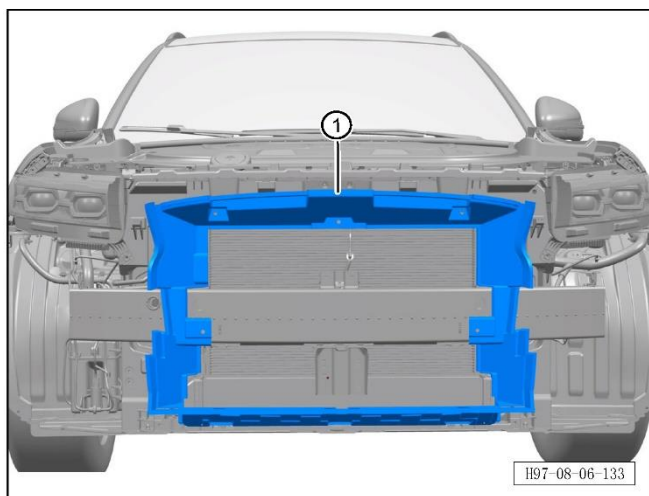
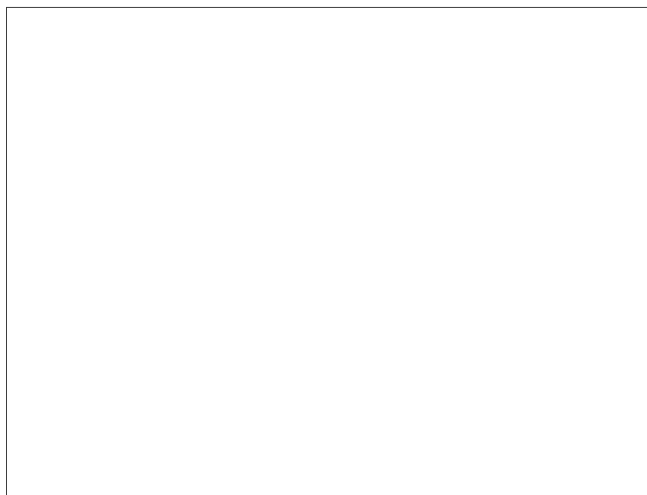
### 8.6.3.14 Removal and refitting of radiator air deflector (REV)

Removal procedure

1. Remove the front bumper assembly (refer to [8.6.3.3 Removal and refitting of front bumper assembly](#))
2. Remove the front bumper energy absorption block (refer to [8.6.3.4 Removal and refitting of front bumper energy absorption block](#))
3. Remove the radiator air deflector (REV).

a. Unscrew 5 fixing screws of the radiator air deflector (REV).

Tightening torque of screws:  $6\pm 1\text{Nm}$ .



b. Remove the radiator air deflector (REV) ①.

Refitting procedure

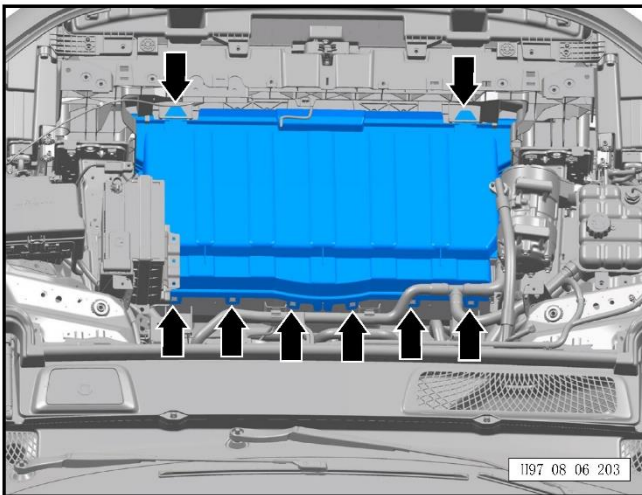
The refitting procedure is performed in reverse order.

### 8.6.3.15 Removal and refitting of AGS rear air deflector (EV)

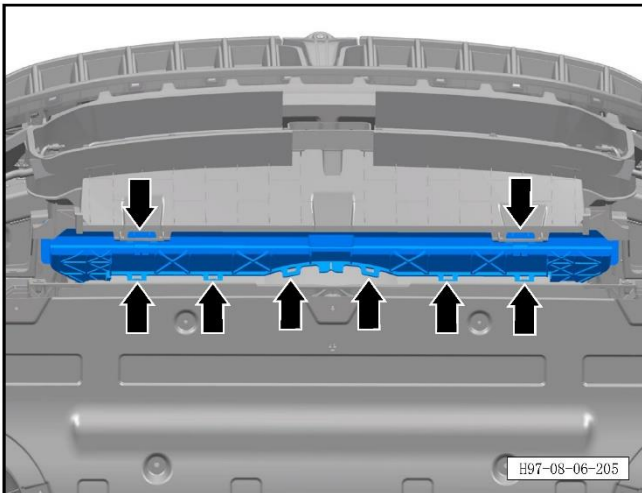
#### Removal procedure

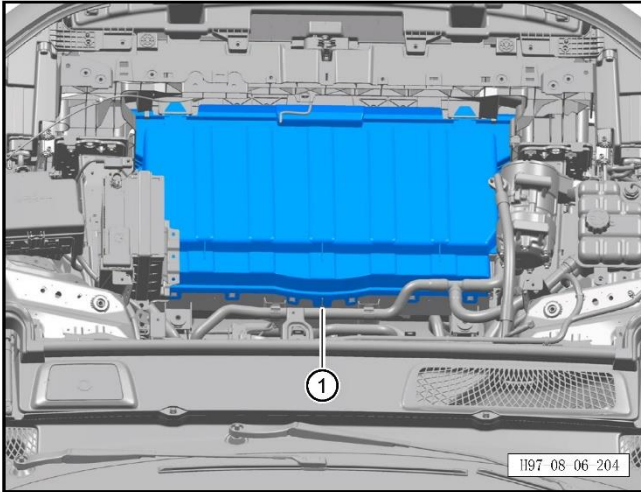
1. Remove the engine compartment front trim panel assembly (refer to [8.6.6.10 Removal and refitting of engine compartment front trim panel assembly \(EV\)](#))
2. Remove the engine compartment front middle trim panel assembly (refer to [8.6.6.11 Removal and refitting of engine compartment middle trim panel assembly \(EV\)](#))
3. Remove the engine compartment storage box assembly (refer to [8.5.11.1 Removal and refitting of engine compartment storage box assembly](#))
4. Remove the AGS rear air deflector (EV).

- a. Disengage 8 fixing clips in the AGS rear air deflector.



- b. Disengage the 8 fixing clips at the bottom of the AGS rear air deflector.





c. Remove the AGS rear air deflector ①.

Refitting procedure

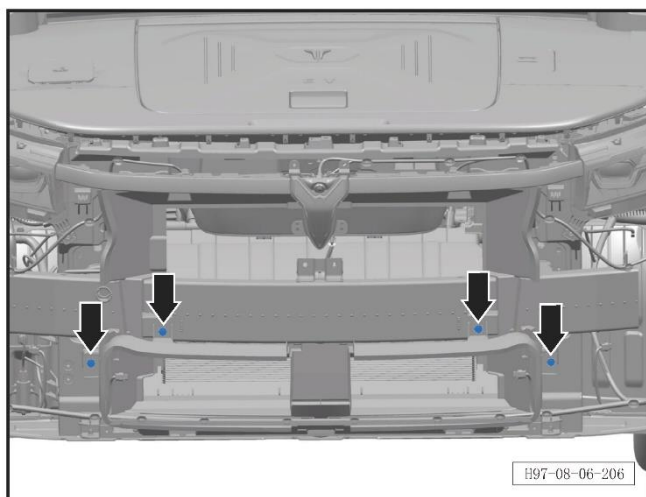
The refitting procedure is performed in reverse order.

### 8.6.3.16 Removal and refitting of radiator air deflector (EV)

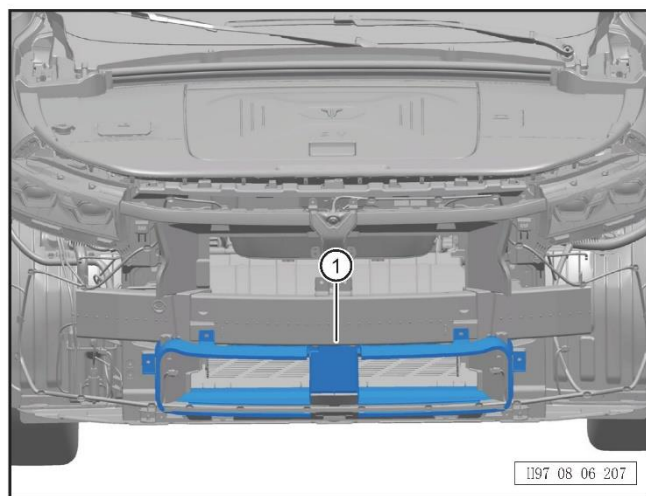
#### Removal procedure

1. Remove the front bumper (refer to [8.6.3.3 Removal and refitting of front bumper assembly](#))
2. Remove the front bumper energy absorption block (refer to [8.6.3.4 Removal and refitting of front bumper energy absorption block](#))
3. Remove the radiator air deflector.

- a. Unscrew 4 fixing bolts of the radiator air deflector.  
Tightening torque of bolt:  $6\pm 1\text{Nm}$ .



- b. Remove the radiator air deflector ①.



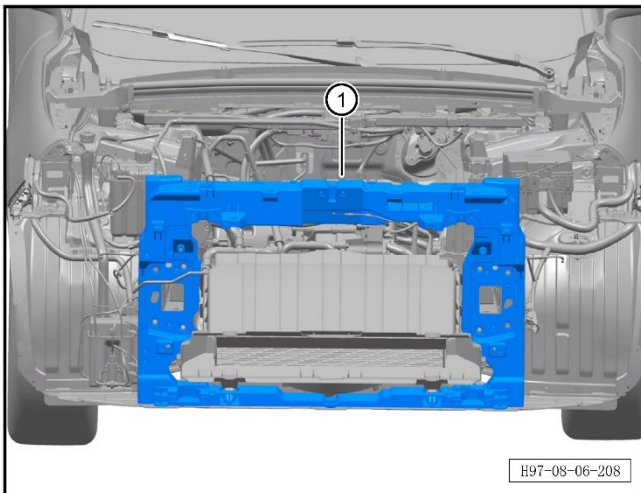
#### Refitting procedure

The refitting procedure is performed in reverse order.

### 8.6.3.17 Removal and refitting of front deflector

#### Removal procedure

1. Remove the engine compartment front trim panel assembly (refer to [8.6.6.10 Removal and refitting of engine compartment front trim panel assembly \(EV\)](#))
2. Remove the engine compartment front middle trim panel assembly (refer to [8.6.6.11 Removal and refitting of engine compartment middle trim panel assembly \(EV\)](#))
3. Remove the engine compartment storage box assembly (refer to [8.5.11.1 Removal and refitting of engine compartment storage box assembly](#))
4. Remove the front bumper energy absorption block (refer to [8.6.3.4 Removal and refitting of front bumper energy absorption block](#))
5. Remove the radiator air deflector (refer to [8.6.3.14 Removal and refitting of radiator air deflector](#))
6. Remove the headlamp (refer to [9.9.3.1 Removal and refitting of headlamp](#))
7. Remove the front impact beam welding assembly.
8. Remove the front position lamps (refer to [9.9.3.2 Removal and refitting of front position lamp](#))
9. Front logo.
10. Remove the front deflector.
  - a. Detach the front deflector.



#### Refitting procedure

The refitting procedure is performed in reverse order.

## 8.6.4 Auxiliary device system

### 8.6.4.1 Removal and refitting of front wheel housing mudguard assembly

Removal procedure

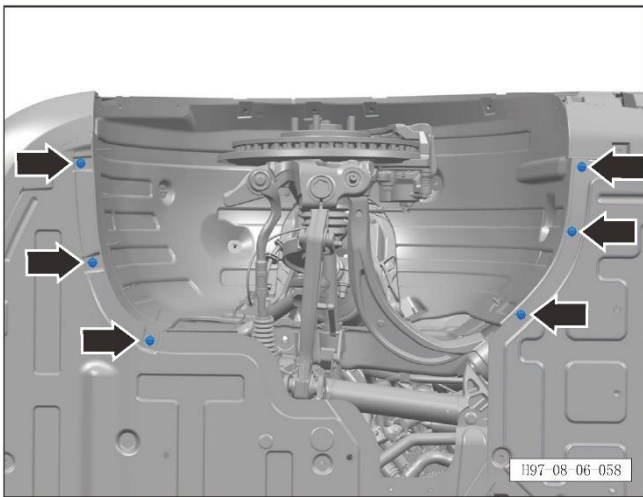
Note:

- The following is the removal and refitting of the left front wheel housing mudguard assembly, which can be referred to for the operations on the right side.

1. Remove the front wheel assembly (refer to [6.5.9.1 Removal and refitting of wheels](#))
2. Remove the front wheel trims (refer to [8.6.6.4 Removal and refitting of front wheel trim assembly](#))
3. Remove the left front wheel housing mudguard assembly.

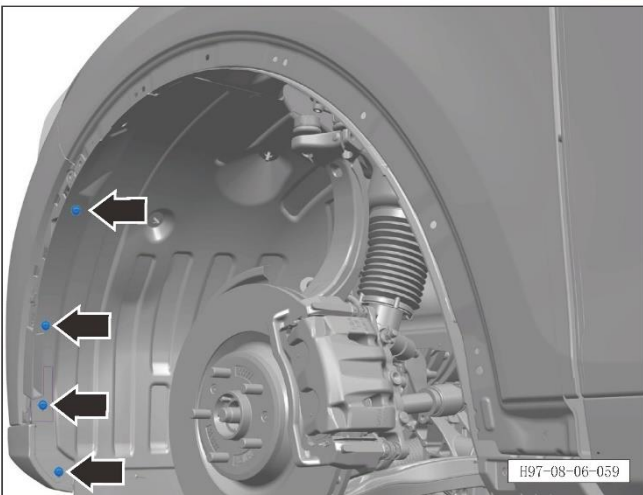
a. Unscrew 6 fixing screws of the front lower protective plate and the middle lower protective plate.

Tightening torque of screw:  $2\pm 1\text{Nm}$ .

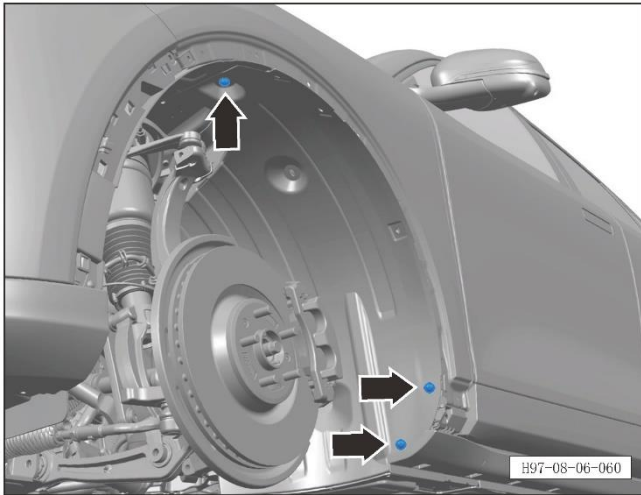


b. Unscrew 4 fixing screws at the front of the left front wheel housing mudguard assembly.

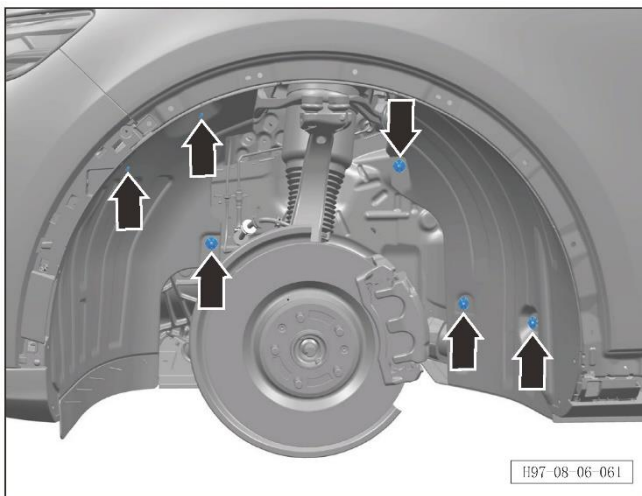
Tightening torque of screw:  $2\pm 1\text{Nm}$ .



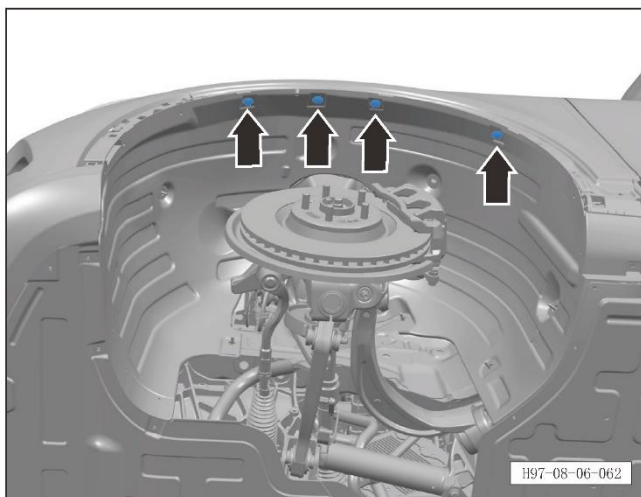




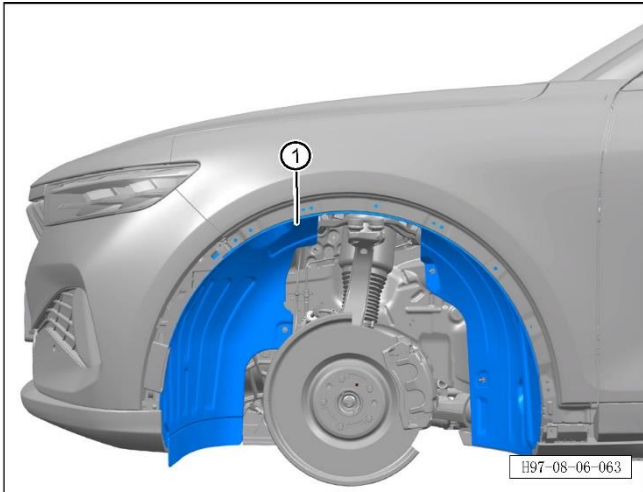
- c. Unscrew 3 fixing screws of the left front wheel housing mudguard assembly.  
Tightening torque of screw:  $2\pm 1\text{Nm}$ .



- d. Unscrew 6 plastic fixing nuts of the left front wheel housing mudguard assembly.



- e. Disengage 4 fixing clips of the left front wheel housing mudguard assembly.



f. Remove the left front wheel housing mudguard assembly ①.

Refitting procedure

The refitting procedure is performed in reverse order.

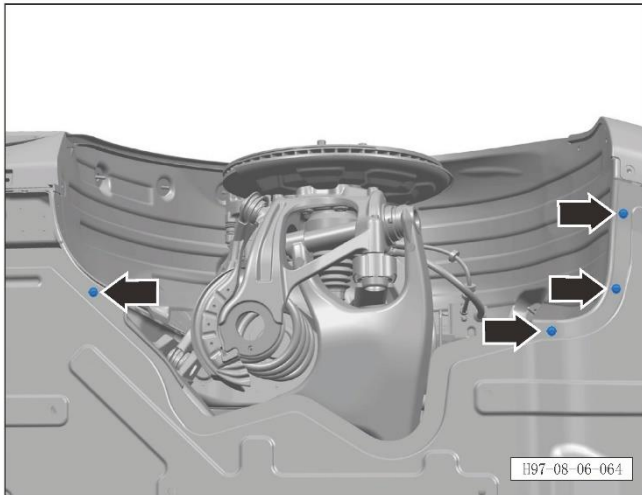
#### **8.6.4.2 Removal and refitting of rear wheel housing mudguard assembly**

Removal procedure

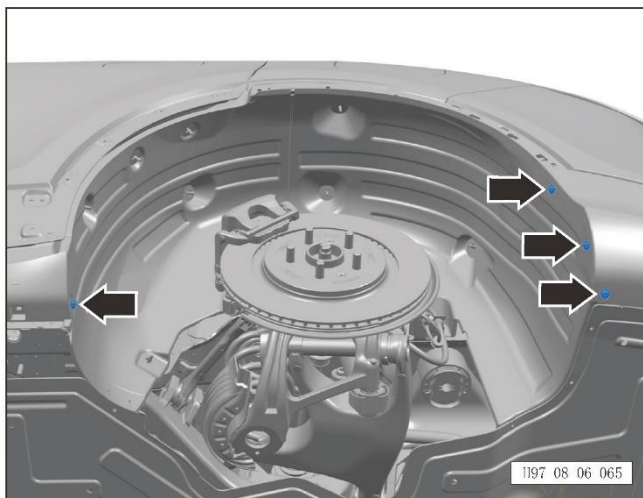
Note:

- The following is the removal and refitting of the left rear wheel housing mudguard assembly, which can be referred to for the operations on the right side.

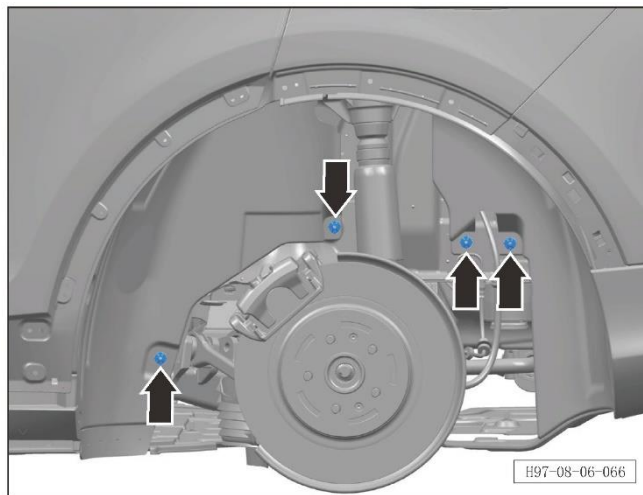
1. Remove the rear wheel assembly (refer to [6.5.9.1 Removal and refitting of wheels](#))
2. Remove the front section of the rear wheel trims (refer to [8.6.6.5 Removal and refitting of front section of rear wheel trim assembly](#))
3. Remove the rear section of the rear wheel trims (refer to [8.6.6.6 Removal and refitting of rear section of rear wheel trim assembly](#))
4. Remove the left rear wheel housing mudguard assembly.



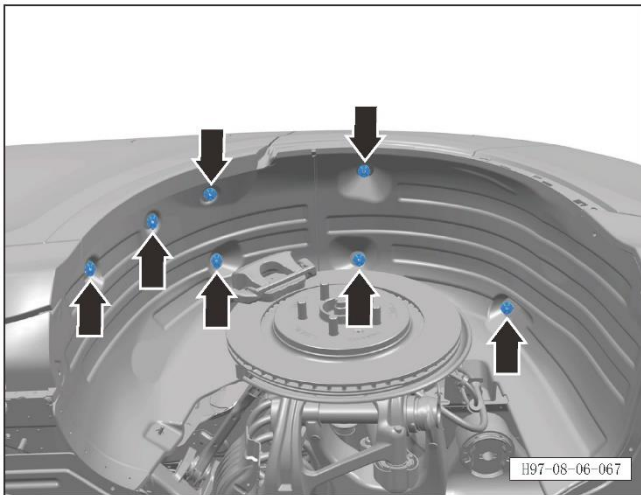
- a. Unscrew 4 fixing screws of the rear lower protective plate.  
Tightening torque of screw:  $2\pm 1\text{Nm}$ .



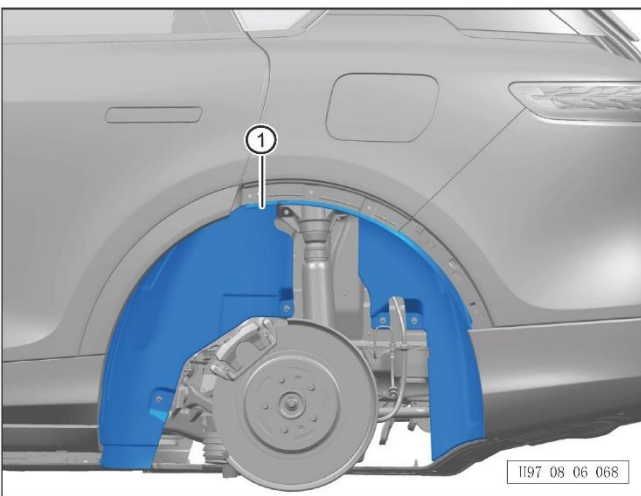
- b. Unscrew 4 fixing screws of the left rear wheel housing mudguard assembly.  
Tightening torque of screw:  $2\pm 1\text{Nm}$ .



- c. Unscrew 4 plastic fixing nuts of the left rear wheel housing mudguard assembly.



d. Unscrew 6 plastic fixing nuts of the left rear wheel housing mudguard assembly.



e. Remove the left rear wheel housing mudguard assembly ①.

Refitting procedure

The refitting procedure is performed in reverse order.

### 8.6.4.3 Removal and refitting of front lower protective plate (REV)

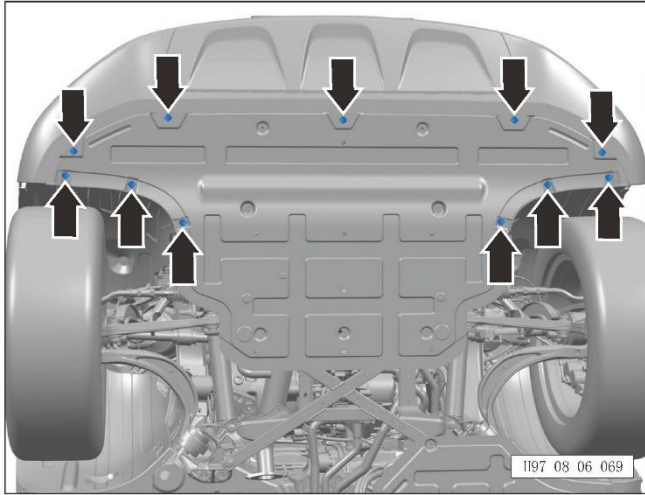
Removal procedure

1. Remove the front lower protective plate.

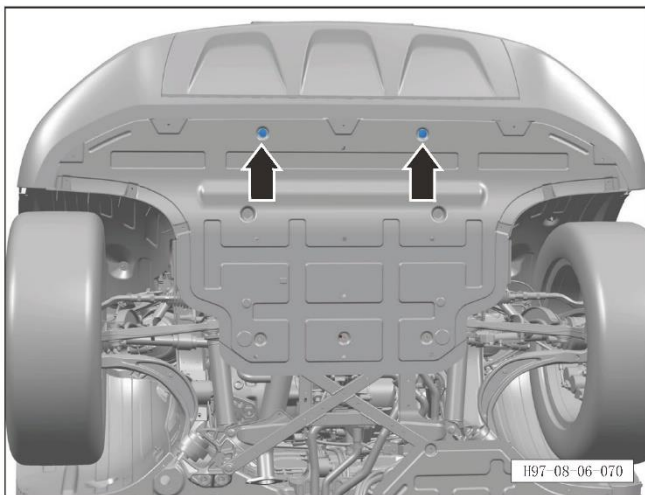
a. Unscrew 11 fixing screws of the front lower protective plate.

Tightening torque of screw:  $2\pm 1\text{Nm}$ .

Tightening torque of screws:  $4\pm 1\text{Nm}$ .

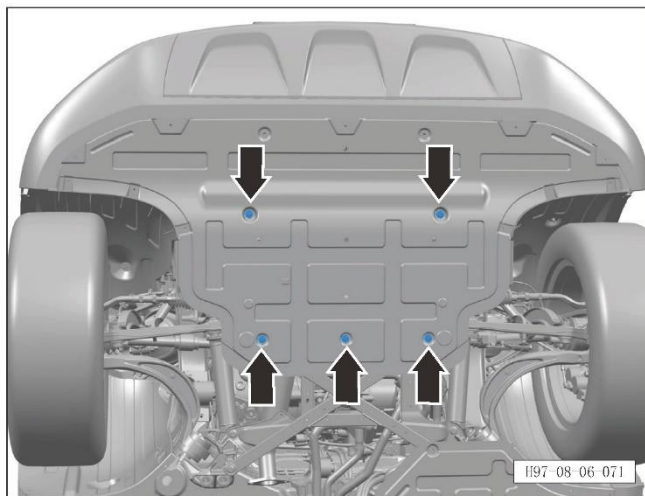


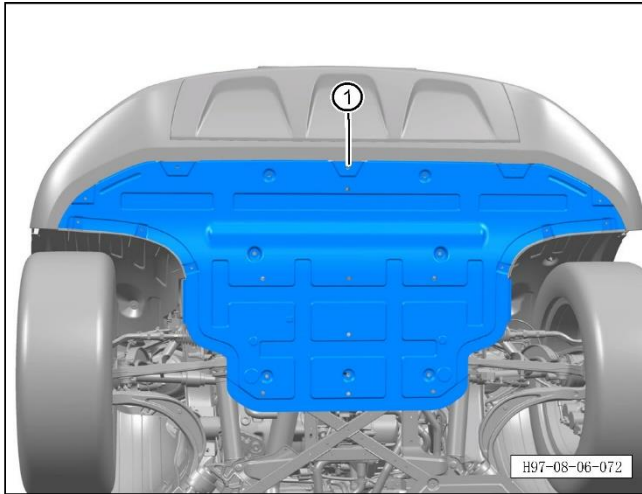
b. Disengage 2 fixing clips of the front lower protective plate.



c. Unscrew 5 fixing bolts of the lower front protective plate.

Tightening torque of bolt:  $4\pm 1\text{Nm}$ .





d. Remove the front lower protective plate ①.

Refitting procedure

The refitting procedure is performed in reverse order.

#### 8.6.4.4 Removal and refitting of front lower protective plate (EV)

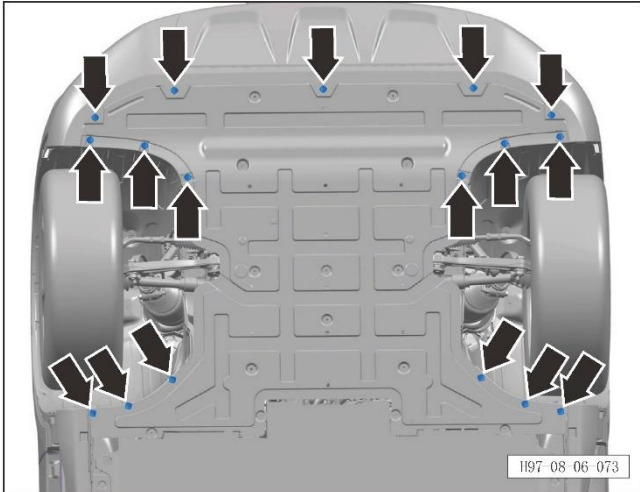
Removal procedure

1. Remove the front lower protective plate.

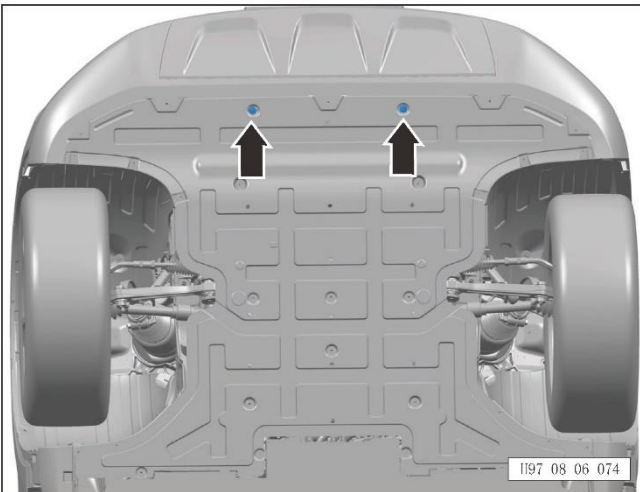
a. Unscrew 11 fixing screws of the front lower protective plate.

Tightening torque of screw:  $2\pm 1\text{Nm}$ .

Tightening torque of screws:  $4\pm 1\text{Nm}$ .

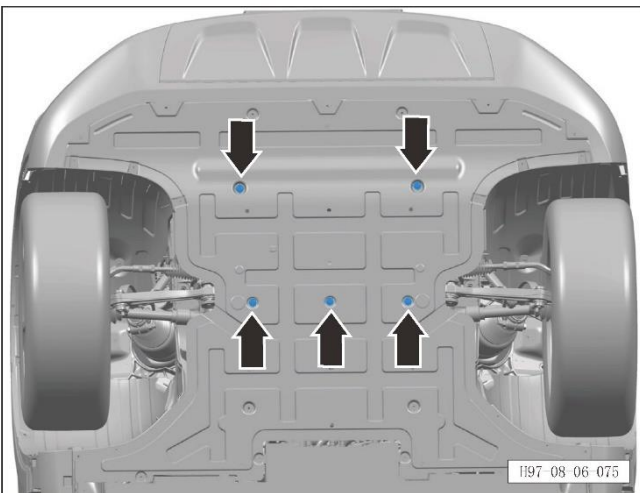


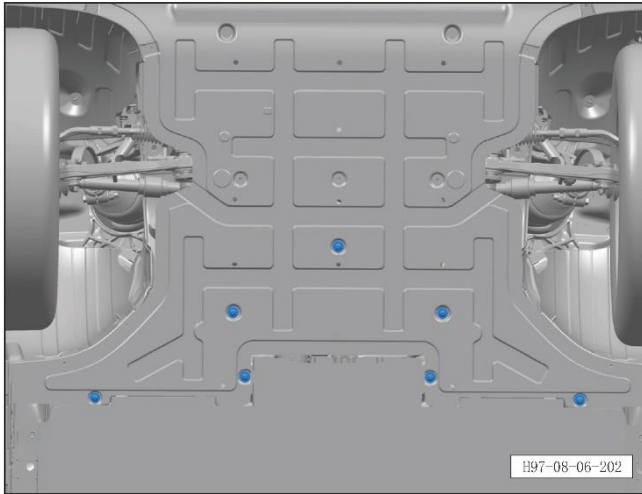
b. Disengage 2 fixing clips of the front lower protective plate.



c. Unscrew 5 fixing bolts of the lower front protective plate.

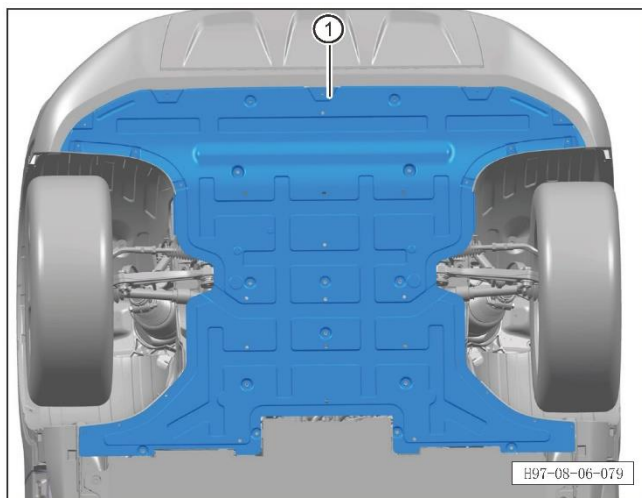
Tightening torque of bolt:  $4\pm 1\text{Nm}$ .





d. Unscrew 7 fixing bolts of the lower front protective plate.

Tightening torque of bolt:  $4\pm 1\text{Nm}$ .



e. Remove the front lower protective plate ①.

Refitting procedure

The refitting procedure is performed in reverse order.



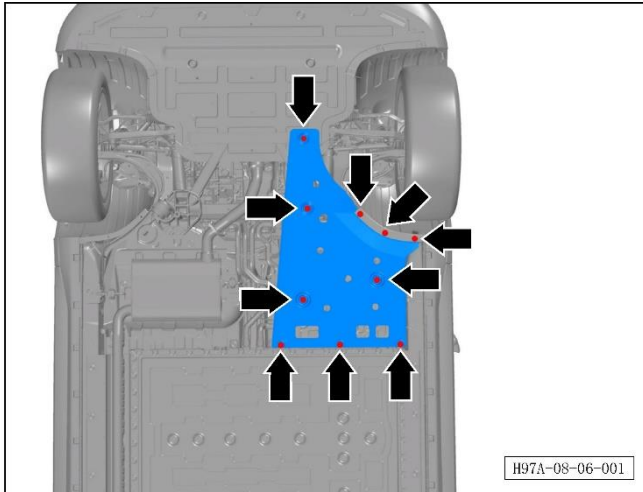
#### 8.6.4.5 Removal and refitting of middle lower protective plate (REV)

Removal procedure

1. Remove the middle lower protective plate.

a. Unscrew 10 fixing bolts of the middle protective plate, and take out the lower middle protective plate.

Tightening torque of bolt:  $4\pm 1$ Nm.



Refitting procedure

The refitting procedure is performed in reverse order.

### 8.6.4.6 Removal and refitting of rear lower protective plate (REV)

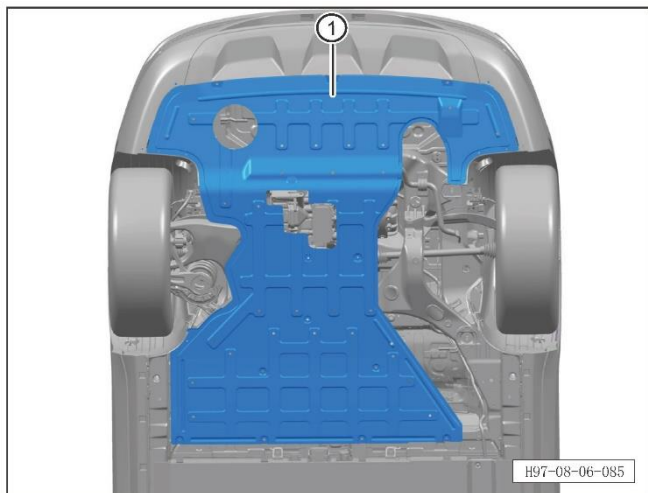
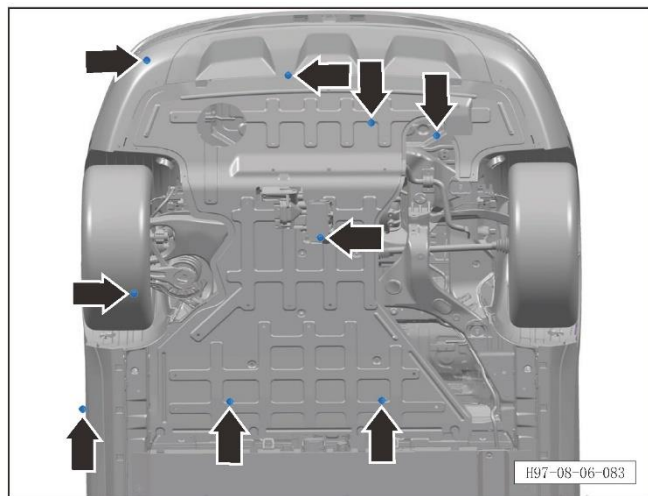
Removal procedure

1. Remove the rear lower protective plate.

a. Unscrew 9 fixing screws of the rear lower protective plate.

Tightening torque of screw:  $2\pm 1\text{Nm}$ .

Tightening torque of screws:  $4\pm 1\text{Nm}$ .



b. Remove the rear lower protective plate ①.

Refitting procedure

The refitting procedure is performed in reverse order.

### 8.6.4.7 Removal and refitting of rear lower protective plate (EV)

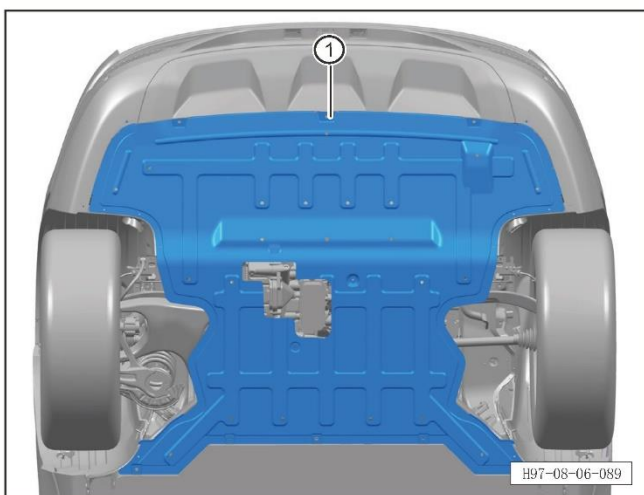
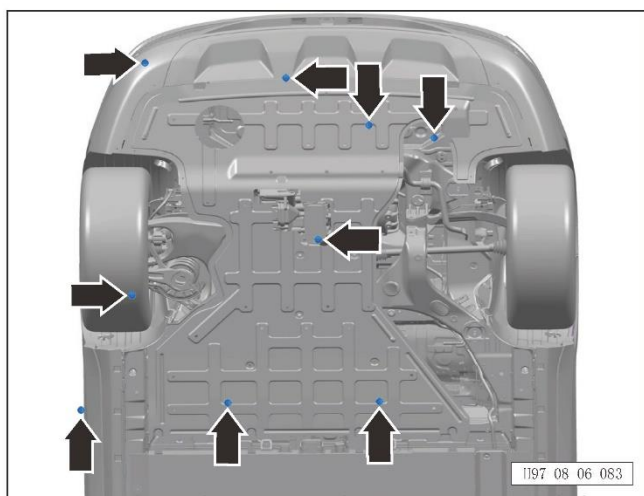
Removal procedure

1. Remove the rear lower protective plate.

a. Unscrew 9 fixing screws of the rear lower protective plate.

Tightening torque of screw:  $2\pm 1\text{Nm}$ .

Tightening torque of screws:  $4\pm 1\text{Nm}$ .



b. Remove the rear lower protective plate ①.

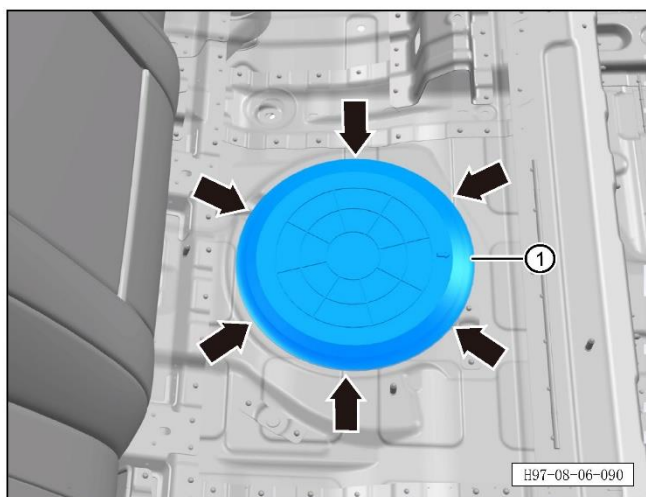
Refitting procedure

The refitting procedure is performed in reverse order.

#### 8.6.4.8 Removal and refitting of fuel tank access cover

Removal procedure

1. Remove the fuel tank access cover.
2. Remove the rear seat cushion assembly (refer to [8.1.5.1 Removal and refitting of rear seat cushion assembly](#))
3. Remove the fuel tank access cover
  - a. Uncover the rear part of the front floor rear carpet assembly.
  - b. Disengage the fixing clips of the fuel tank access cover, and take out the fuel tank access cover ①.



Refitting procedure

The refitting procedure is performed in reverse order.

### 8.6.4.9 Removal and refitting of rear lower protective plate bracket

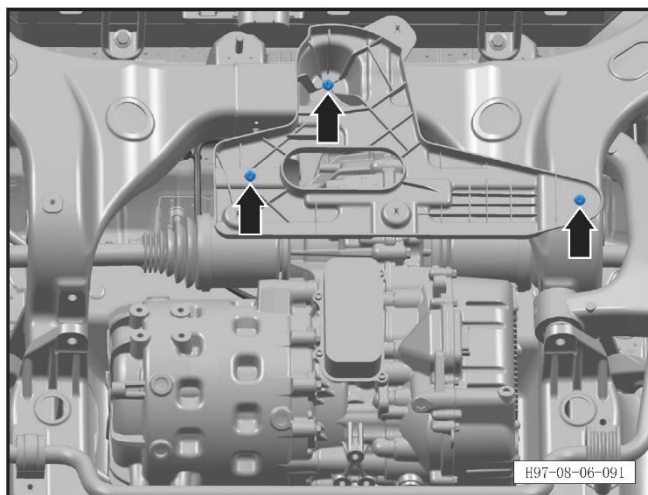
Removal procedure

1. Remove the rear lower protective plate (refer to [8.6.4.6 Removal and refitting of rear lower protective plate](#))

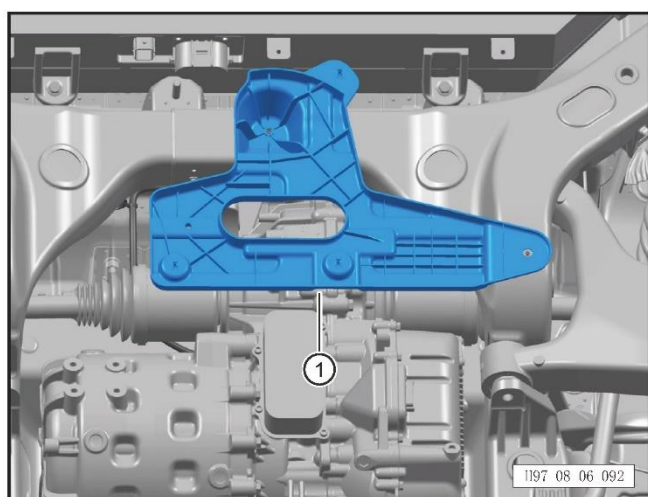
2. Remove the rear lower protective plate bracket.

a. Unscrew 3 fixing screws of the rear lower protective plate.

Tightening torque of screws:  $4\pm 1\text{Nm}$ .



b. Remove the rear lower protective plate ①.



Refitting procedure

The refitting procedure is performed in reverse order.

## 8.6.5 Roof opening and closing system

### 8.6.5.1 Specifications

Fastening position	Specification	Tightening torque (N•m)
Sunroof assembly	M5 bolts (for glass assembly refitting)	3.5±0.5Nm
Sunroof assembly	M6 bolts (for bracket refitting)	8±2Nm
Sunroof assembly (panoramic sunroof)	Hexagon nut and tapered spring washer assembly M6	8±2Nm
Sunroof assembly (panoramic sunroof)	Hexagon head bolt, spring washer and plain washer assembly M6×16,	8±2Nm

### 8.6.5.2 Description and operation

Panoramic sunroof operation

Panoramic sunroof operation:

a. Button operation:

- The front ceiling lamp has three buttons: "ON", "OFF" and "tilting", and two separate electric sunshade buttons: "Sunshade ON" and "Sunshade OFF", among which "tilting" is a one-button operation, and the rests are divided into two modes of automatic operation: manual operation by pressing and releasing, and one-button operation by pressing and holding.
- When the sunroof needs to be opened: press the "ON" button, the sunroof will be opened, and the electric sunshade will be opened automatically during the opening process.
- When the sunroof needs to be closed, press the "OFF" button, the sunroof glass will be closed; if the sunshade needs to be closed too, press the "OFF" button again or directly press the "Sunshade OFF" button, the sunshade will be closed automatically during the closing process of the sunroof.
- When the sunroof needs to be tilted: press the "tilting" button, the sunroof glass will be tilted, and the sunshade will be automatically moved to a half-open position or position with larger opening.
- When the sunshade needs to be opened: press the "Sunshade ON" button, the electric sunshade will be opened (the sunroof glass will not move).
- When the sunshade needs to be closed: press the "Sunshade OFF" button, the electric sunshade will be closed (the sunroof glass will be closed automatically).

b. Remote control operation:

- In OFF position, press and hold the "lock" button of the remote control key, the sunroof will be closed remotely. During the closing process, keep pressing the button. Once released, the closing action will stop.
- In OFF position, long press the "unlock" button of the remote control key, the sunroof will be opened remotely. During the opening process, keep pressing the button. Once released, the opening action will stop.
- The remote control function can only open or close the sunroof.

c. Voice operation:

- Voice operation can also realize the opening, closing and tilting of the sunroof, and the opening and closing of the sunshade.
- Say "Open the sunroof", the sunroof will be automatically moved to fully open position, and the electric sunshade will also be opened automatically.
- Say "Close the sunroof", the sunroof will be automatically moved to fully close position, and the electric sunshade will also be closed (the same effect as the "Sunshade OFF" button).
- Say "I want fresh air \ sunroof tilting" (the specific voice recognition is the AVNT function), the sunroof glass will be tilted, and the sun visor will be automatically moved to a half-open position or position with larger opening.
- Say "Open the sunshade", the electric sunshade will be opened (the sunroof glass will not move).
- Say "Close the sunshade", the electric sunshade will be closed (the sunroof glass will be closed automatically).
- The effect of closing the sunroof by voice and closing the sunshade by voice is to close the entire sunroof system. Generally, when the users say "Close the sunroof", he/she means that the entire sunroof system instead of the glass needs to be closed.

Manual initialization and self-learning of panoramic sunroof

In some cases (such as the sudden power failure of the battery or after the vehicle is not used for a long time), it may be necessary to perform the manual initialization and self-learning of power sunroof. The specific operations are as follows:

- When the sunroof is closed, push and press the sunroof switch "ON" button to the front of the vehicle for more than 10 s, and the sunroof starts to initialize.
- Keep pressing the "ON" button of the sunroof switch to the front of the vehicle, the sunroof will perform the "Tilt→Open→Close" action and then stop. At this time, the sunroof self-learning is completed.

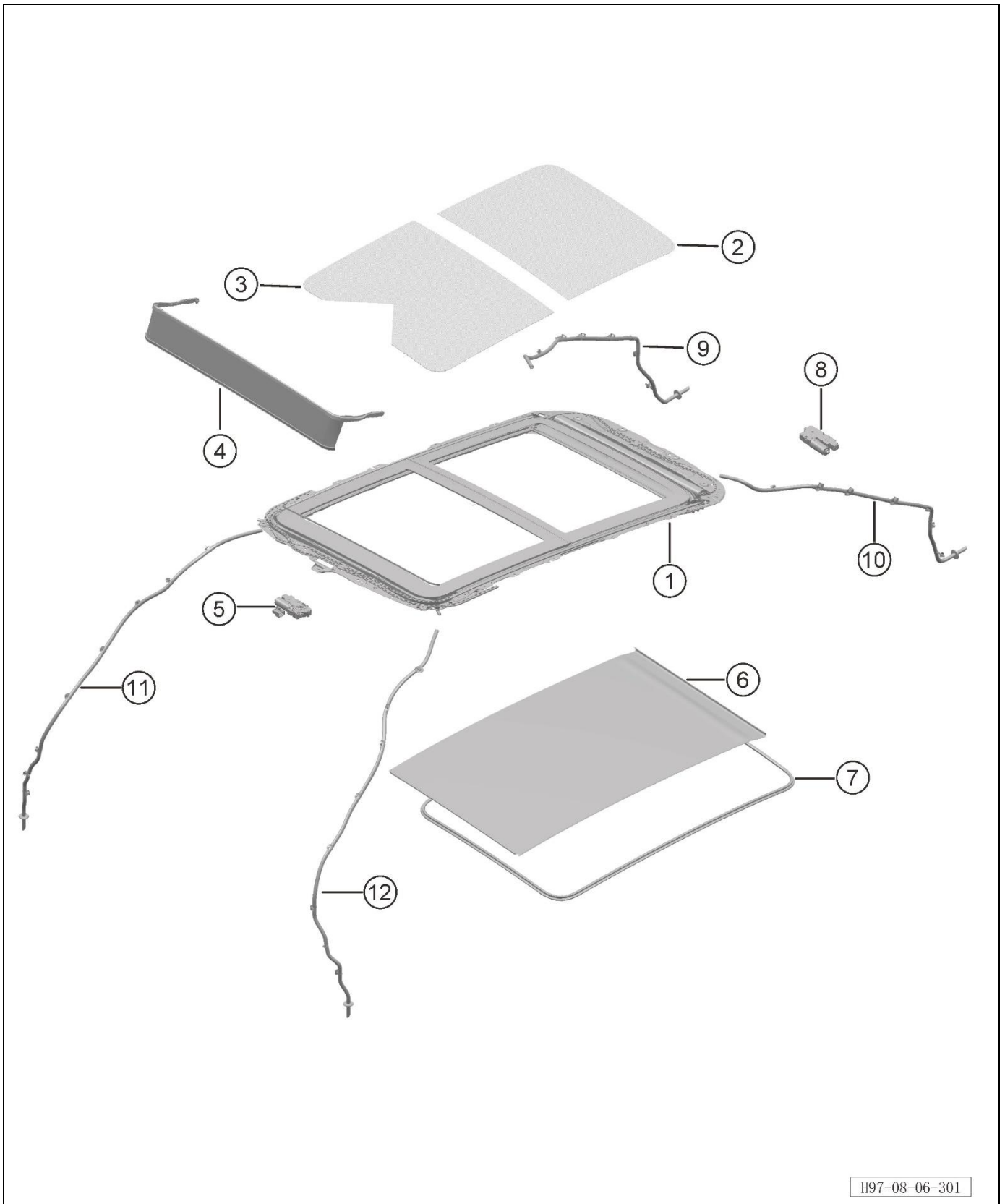
**8.6.5.3 Position diagram of parts**



H97-08-06-302



8.6.5.4 Exploded view of structure



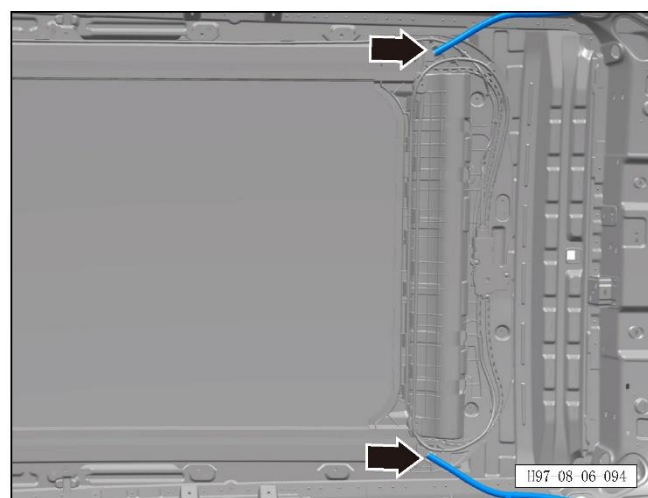
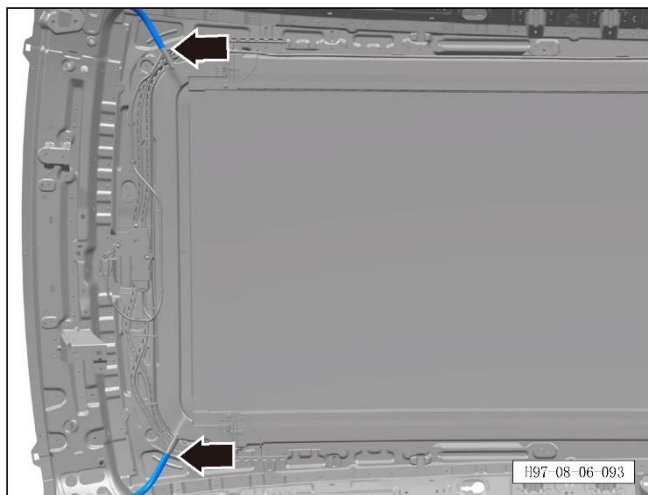
H97-08-06-301

S/N	Part name	Loading quantity	Remarks
1	Sunroof body	1	
2	Sunroof glass (rear)	1	
3	Sunroof glass (front)	1	
4	Air deflector	1	
5	Sunroof controller	1	
6	Sunshade	1	
7	Sunroof sealing strip	1	
8	Sunshade controller	1	
9	Left A-pillar sunroof drain pipe	1	
10	Right A-pillar sunroof drain pipe	1	
11	Left C-pillar sunroof drain pipe	1	
12	Right C-pillar sunroof drain pipe	1	

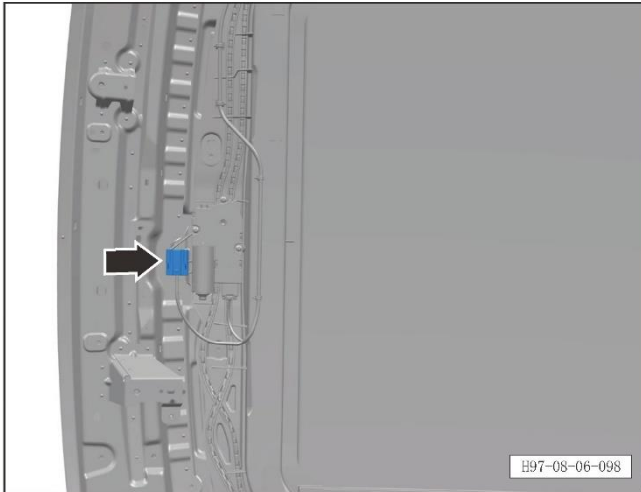
### 8.6.5.5 Removal and refitting of sunroof assembly

#### Removal procedure

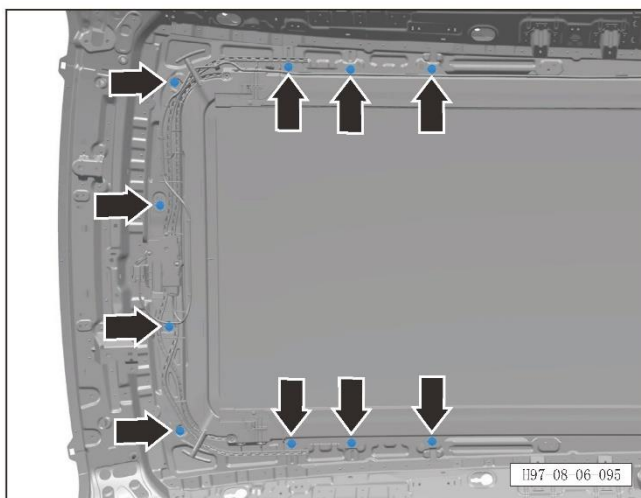
1. Turn off all electrical appliances and turn off the start switch.
2. Disconnect the battery negative terminal. Refer to [3.1.6.1 Maintenance and inspection battery](#)
3. Remove the roof inner trim panel assembly (refer to [8.5.6.1 Removal and refitting of roof inner trim panel assembly](#))
4. Remove the sunroof assembly.
  - a. Detach the left and right A-pillar sunroof drain pipes.



- b. Detach the left and right C-pillar sunroof drain pipes.

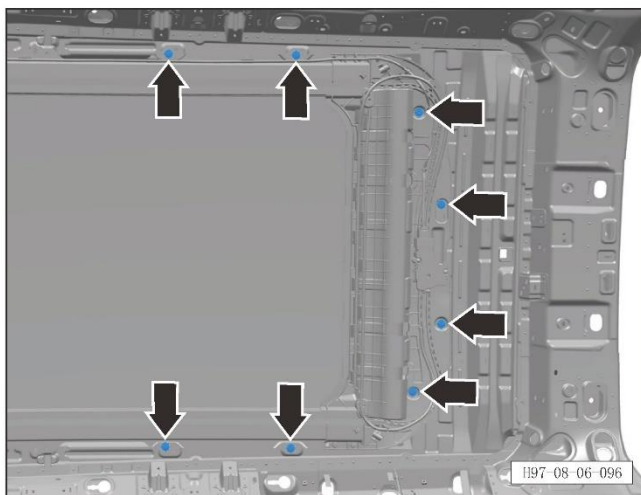


c. Disconnect the sunroof assembly harness connector.



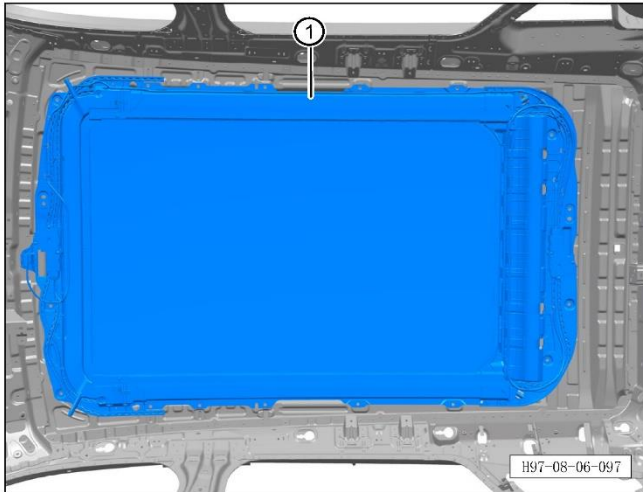
d. Unscrew 10 fixing bolts on the front of the sunroof assembly.

Tightening torque of bolt:  $10\pm 2\text{Nm}$ .



e. Unscrew 8 fixing bolts at the rear of the sunroof assembly.

Tightening torque of bolt:  $10\pm 2\text{Nm}$ .



f. Take out the sunroof assembly ①.

Note:

- This operation requires multiple technicians to complete in close coordination.
- Take out the sunroof assembly from the roof.

Refitting procedure

The refitting procedure is performed in reverse order.

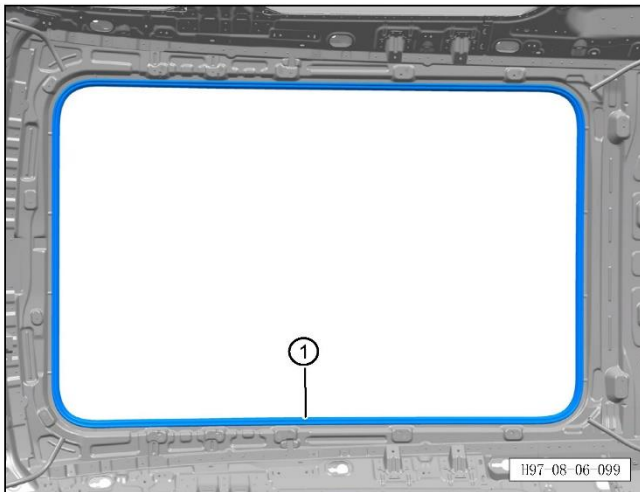
**CAUTION:**

- After the refitting, adjust the sunroof glass.

#### 8.6.5.6 Removal and refitting of sunroof sealing strip

Removal procedure

1. Remove the sunroof assembly (refer to [8.6.5.5 Removal and refitting of sunroof assembly](#))
2. Remove the sunroof sealing strip ①.



Refitting procedure

The refitting procedure is performed in reverse order.

### 8.6.5.7 Removal and refitting of A-pillar sunroof drain pipe

Removal procedure

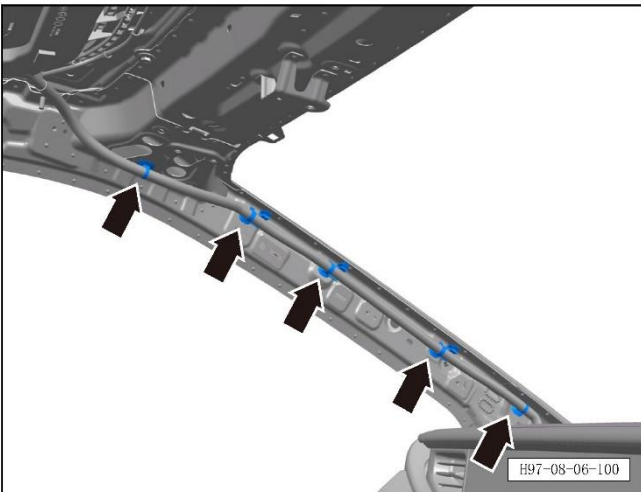
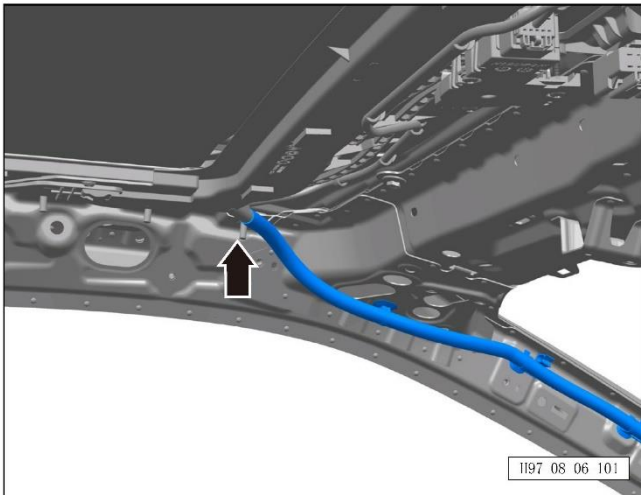
Note:

- The following is the removal and refitting of the left A-pillar sunroof drain pipe, which can be referred to for the operations on the right side.

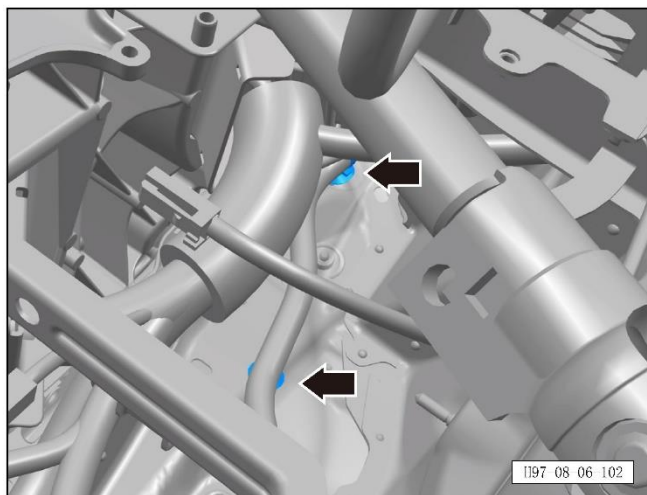
1. Remove the roof inner trim panel assembly (refer to [8.5.6.1 Removal and refitting of roof inner trim panel assembly](#))

2. Remove the left A-pillar sunroof drain pipe.

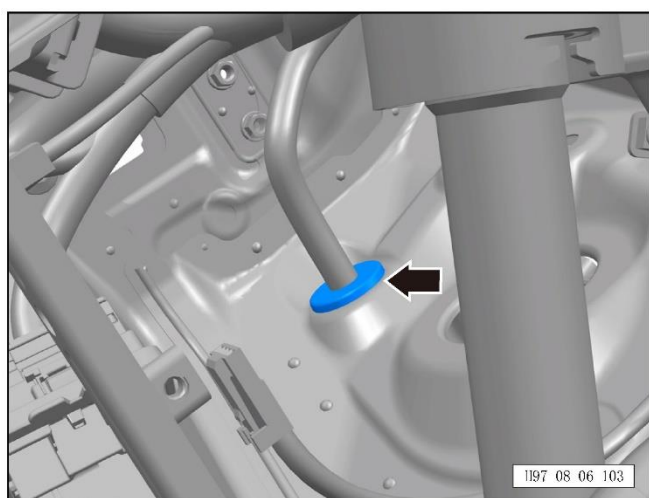
a. Detach the left A-pillar sunroof drain pipe.



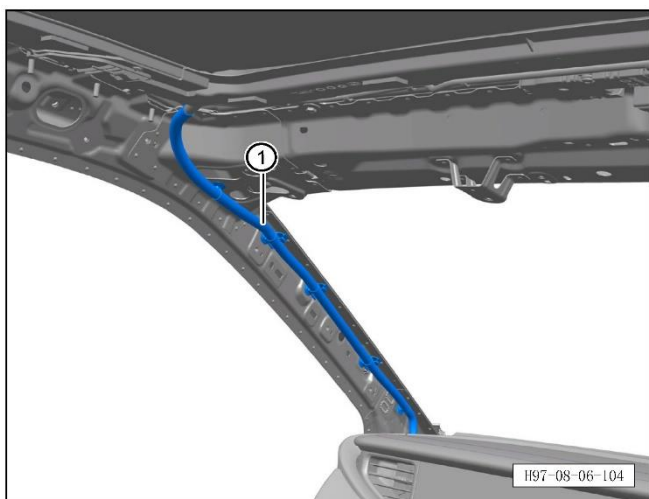
b. Disengage 5 fixing clips of the left A-pillar sunroof drain pipe.



c. Disengage 2 fixing clips of the left A-pillar sunroof drain pipe.



d. Detach the sealing plug of the left A-pillar sunroof drain pipe.



d. Remove the left A-pillar sunroof drain pipe ①.

Refitting procedure

The refitting procedure is performed in reverse order.

### 8.6.5.8 Removal and refitting of C-pillar sunroof drain pipe

Removal procedure

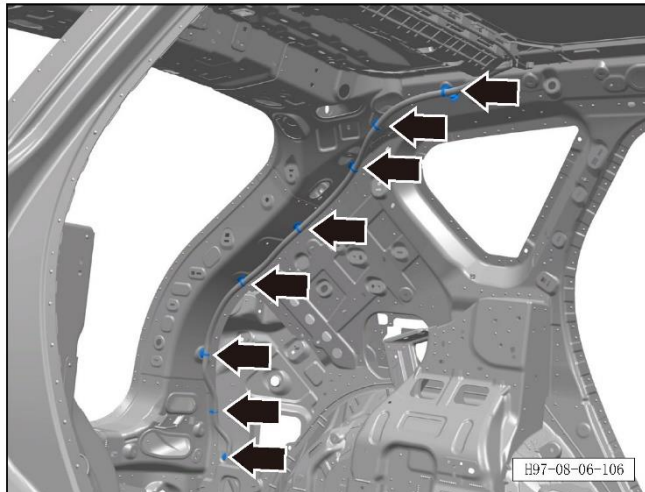
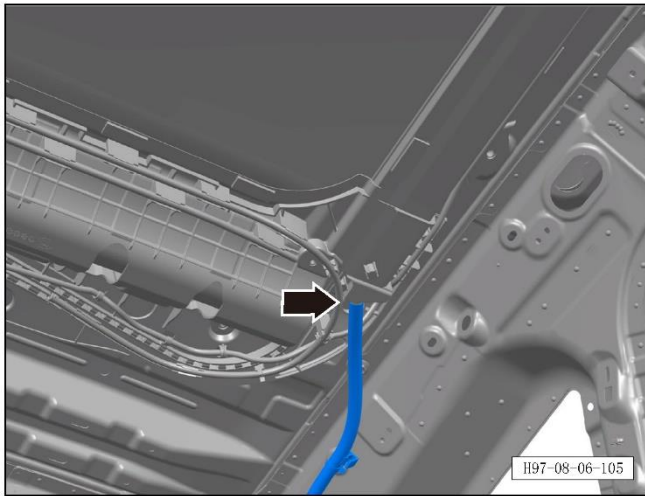
Note:

- The following is the removal and refitting of the left C-pillar sunroof drain pipe, which can be referred to for the operations on the right side.

1. Remove the roof inner trim panel assembly (refer to [8.5.6.1 Removal and refitting of roof inner trim panel assembly](#))

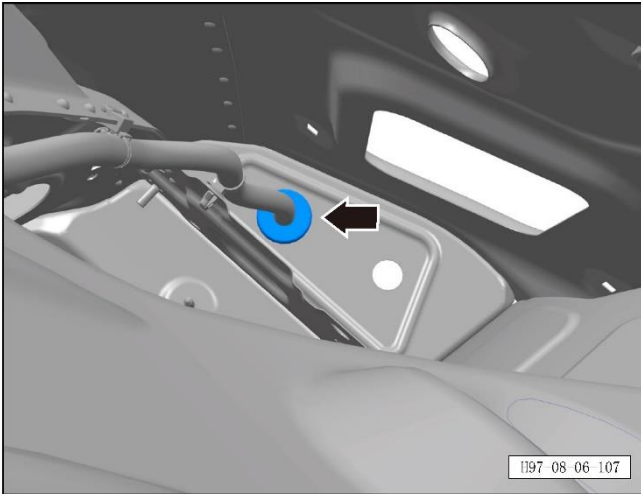
2. Remove the left C-pillar sunroof drain pipe.

a. Detach the left C-pillar sunroof drain pipe.

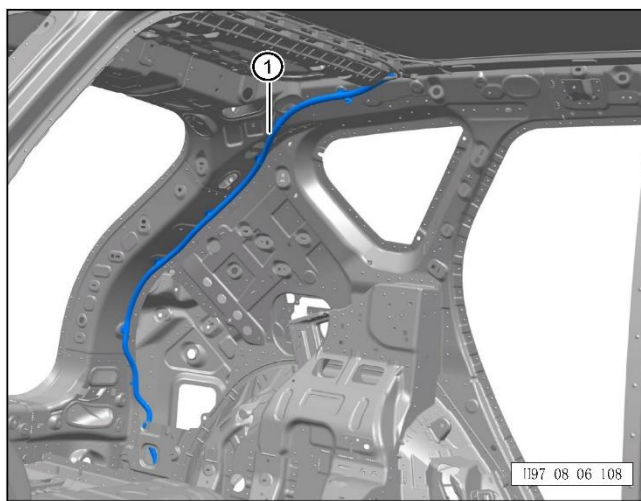


b. Disengage 8 fixing clips of the left C-pillar sunroof drain pipe.





C. Detach the sealing plug of the left C-pillar sunroof drain pipe.



d. Remove the left C-pillar sunroof drain pipe ①.

Refitting procedure

The refitting procedure is performed in reverse order.

### 8.6.6 Exterior trim system

#### 8.6.6.1 Removal and refitting of lower skirt board assembly

Removal procedure

Note:

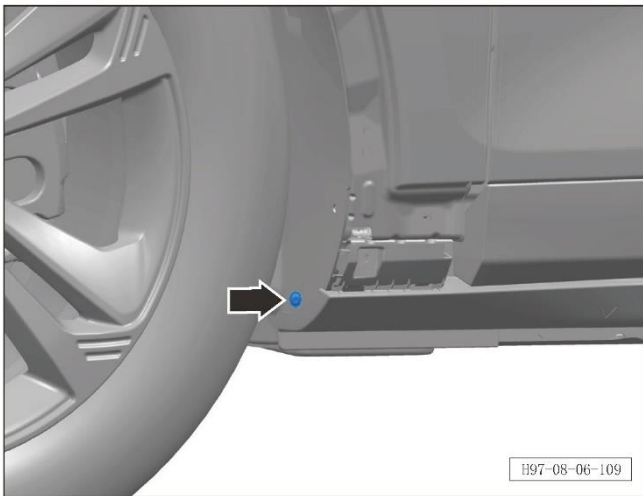
- The following is the removal and refitting of the left lower skirt board assembly, which can be referred to for the operations on the right side.

1. Remove the left front wheel trim (refer to [8.6.6.4 Removal and refitting of front wheel trim assembly](#))

2. Remove the left lower skirt board assembly.

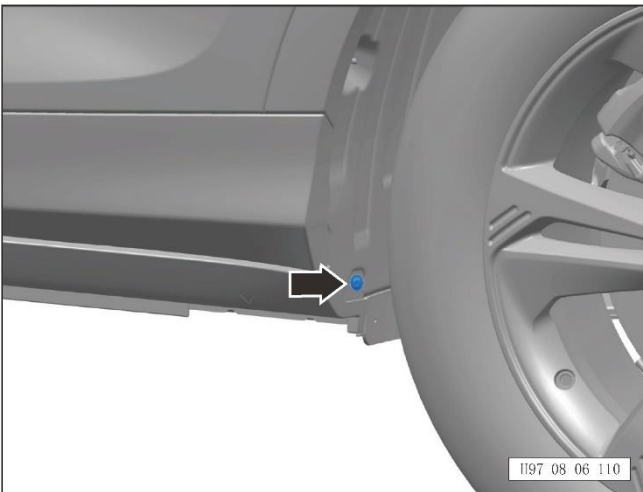
a. Unscrew 1 fixing screw of the left front wheel housing mudguard assembly.

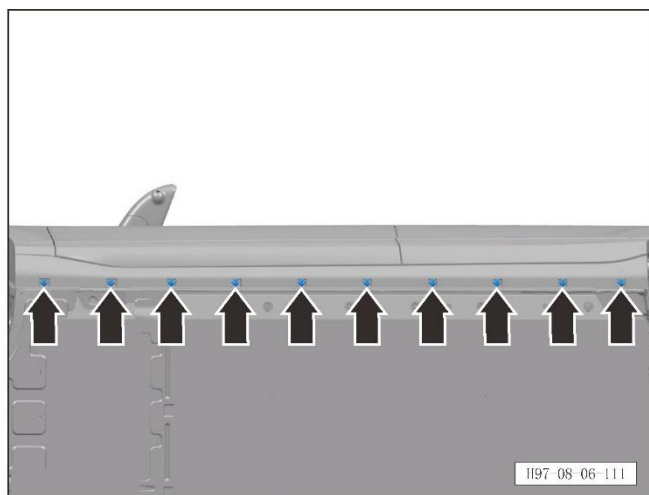
Tightening torque of screw:  $2\pm 1\text{Nm}$ .



b. Unscrew 1 fixing screws of the left rear wheel housing mudguard assembly.

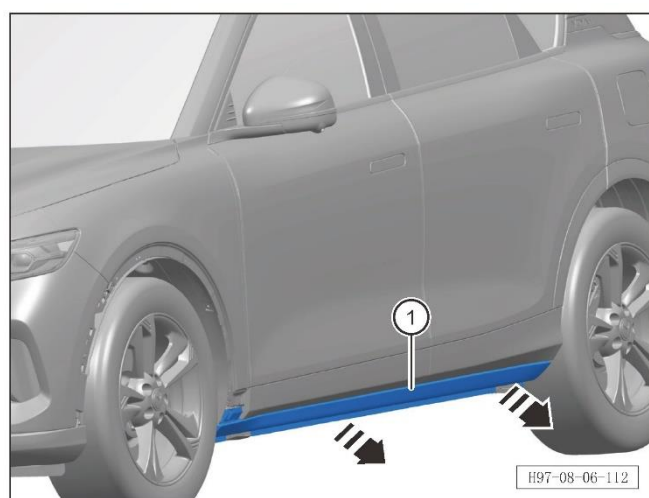
Tightening torque of screw:  $2\pm 1\text{Nm}$ .





c. Unscrew 10 fixing screws of the lower left skirt board assembly.

Tightening torque of screw:  $2\pm 0.5\text{Nm}$ .



d. Open the left front and left rear doors, disengage the fixing clips of the left lower skirt board assembly, and remove the left lower apron assembly ①.

Refitting procedure

The refitting procedure is performed in reverse order.

**CAUTION:**

- Check the fixing clips for damage and replace them if necessary.

### 8.6.6.2 Removal and refitting of front door guard strip assembly

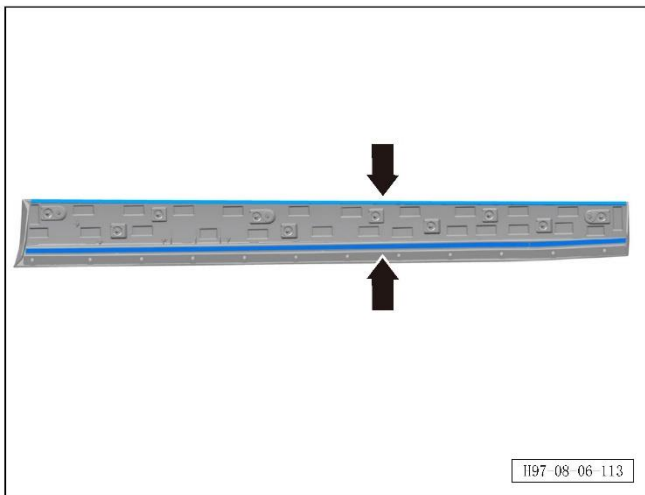
Removal procedure

Note:

- The following is the removal and refitting of the left front door guard strip assembly, which can be referred to for the operations on the right side.

1. Remove the left front door guard strip assembly.

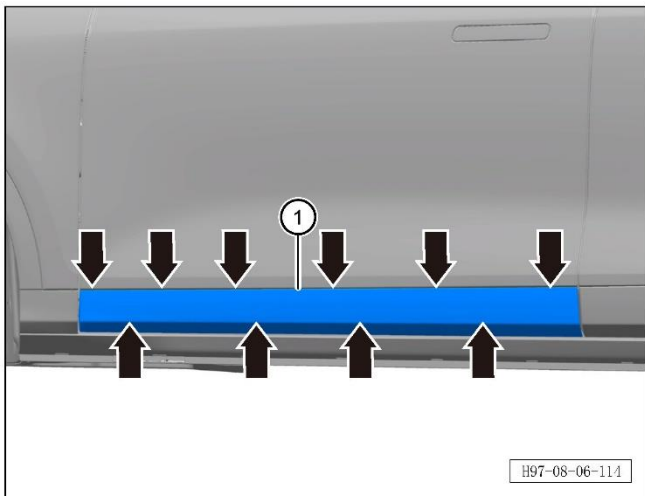
a. Detach the 3M adhesive strips on the upper and lower sides of the left front door guard strip assembly.



H97-08-06-113

b. Disengage 10 fixing clips of the left front door guard strip assembly.

c. Disconnect the connector of left front door low power consumption Bluetooth auxiliary module and the PEPS antenna, and remove the left front door guard strip assembly ①.



H97-08-06-114

Refitting procedure

The refitting procedure is performed in reverse order.

**CAUTION:**

- Check the fixing clips for damage and replace them if necessary.

- Clean the residual 3M adhesives on the door before refitting, and replace with new 3M adhesive strips on the left front door guard strip assembly.

### 8.6.6.3 Removal and refitting of rear door guard strip assembly

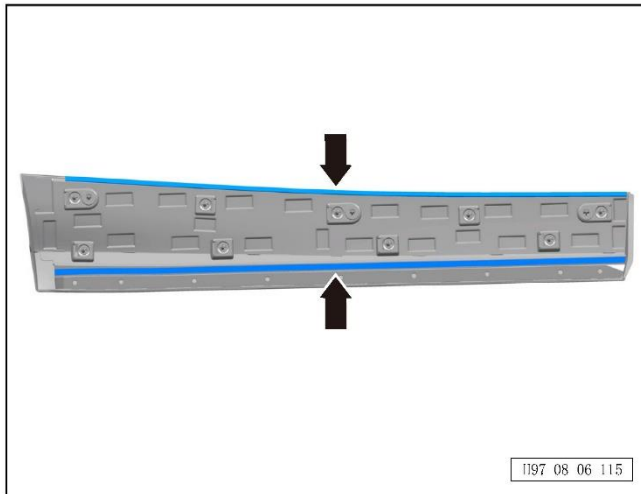
Removal procedure

Note:

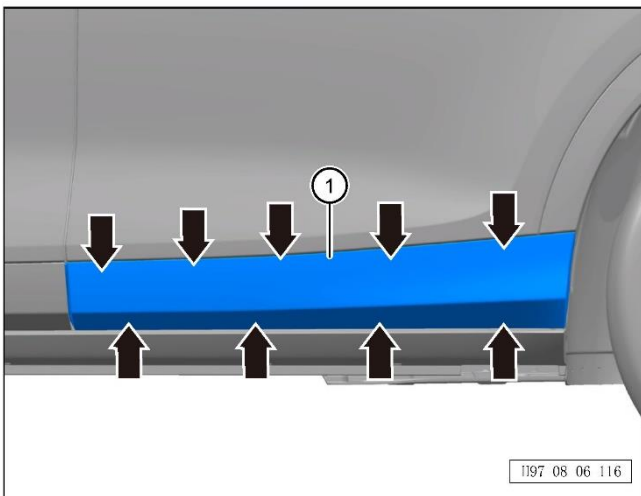
- The following is the removal and refitting of the left rear door guard strip assembly, which can be referred to for the operations on the right side.

1. Remove the left rear door guard strip assembly.

a. Detach the 3M adhesive strips on the upper and lower sides of the left rear door guard strip assembly.



b. Disengage 9 fixing clips of the left rear door guard strip assembly. Remove the left rear door guard strip assembly ①.



Refitting procedure

The refitting procedure is performed in reverse order.

**CAUTION:**

- Check the fixing clips for damage and replace them if necessary.

- Clean the residual 3M adhesives on the door before refitting, and replace with new 3M adhesive strip on the left rear door guard strip assembly.

#### 8.6.6.4 Removal and refitting of front wheel trim assembly

Removal procedure

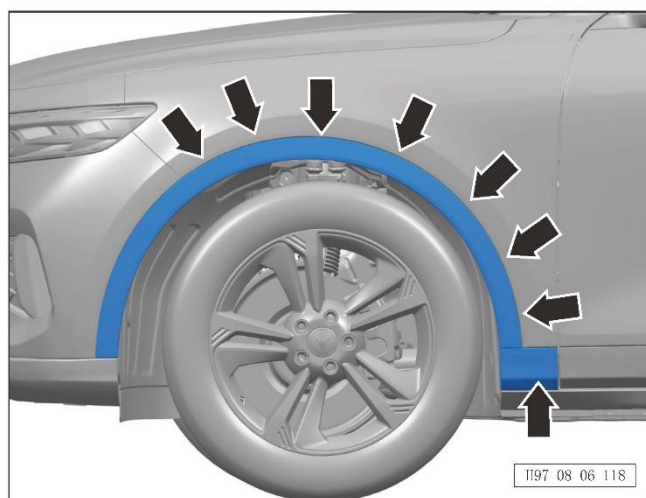
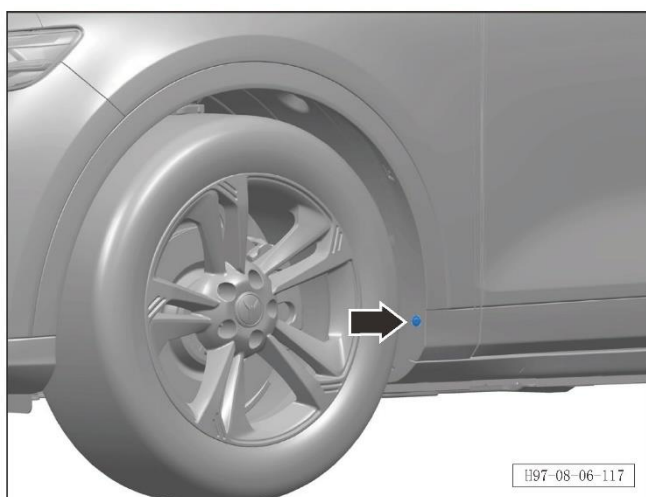
Note:

- The following is the removal and refitting of the left front wheel trim assembly, which can be referred to for the operations on the right side.

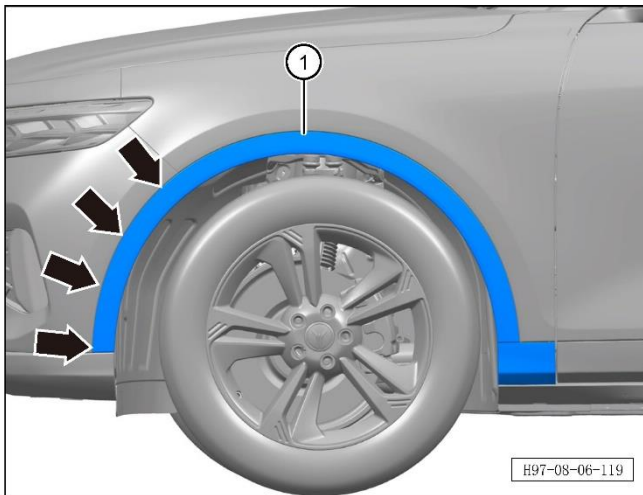
1. Remove the left front wheel trim assembly.

a. Unscrew 1 fixing screw of the left front wheel housing mudguard assembly.

Tightening torque of screw:  $2\pm 1\text{Nm}$ .



b. Disengage 8 fixing clips of the left front wheel trim assembly.



c. Disengage 4 fixing clips of the left front wheel trim assembly. Remove the left front wheel trim assembly ①.

Refitting procedure

The refitting procedure is performed in reverse order.

**CAUTION:**

- Check the fixing clips for damage and replace them if necessary.

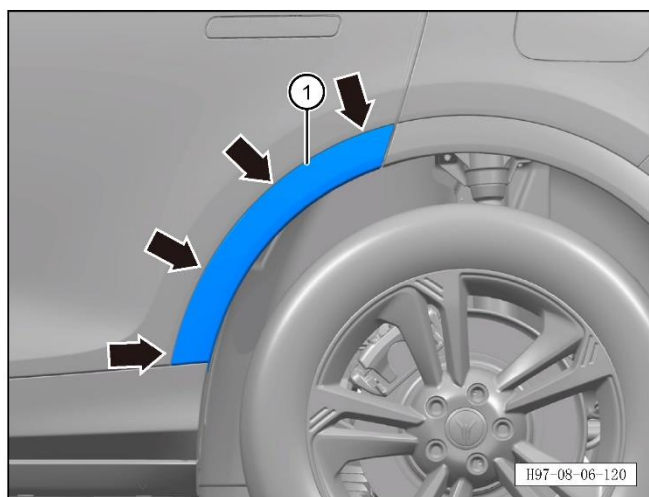
### 8.6.6.5 Removal and refitting of front section of rear wheel trim assembly

Removal procedure

Note:

- The following is the removal and refitting of the front section of the left rear wheel trim assembly, which can be referred to for the operations on the right side.

1. Remove the front section of the left rear wheel trim assembly.



a. Disengage 4 fixing clips on the front section of the left rear wheel trim assembly, and remove the front section of the left rear wheel trim assembly ①.

Refitting procedure

The refitting procedure is performed in reverse order.

**CAUTION:**

- Check the fixing clips for damage and replace them if necessary.



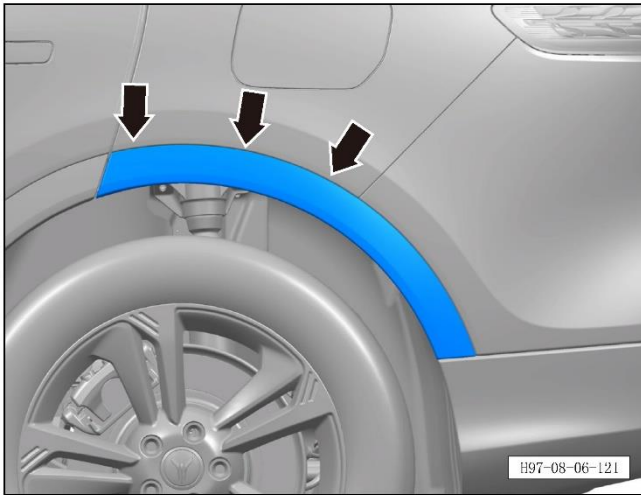
### 8.6.6.6 Removal and refitting of rear section of rear wheel trim assembly

Removal procedure

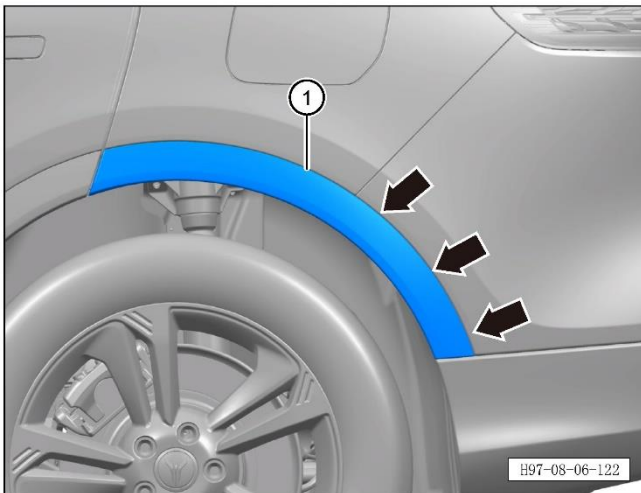
Note:

- The following is the removal and refitting of the rear section of the left rear wheel trim assembly, which can be referred to for the operations on the right side.

1. Remove the rear section of the left rear wheel trim assembly.



a. Disengage 3 fixing clips on the rear section of the left rear wheel trim assembly.



b. Disengage 3 fixing clips on the rear section of the left rear wheel trim assembly, and remove the rear section of the left rear wheel trim assembly ①.

Refitting procedure

The refitting procedure is performed in reverse order.

**CAUTION:**

- Check the fixing clips for damage and replace them if necessary.

### 8.6.6.7 Removal and refitting of rear side wall vent grille assembly

Removal procedure

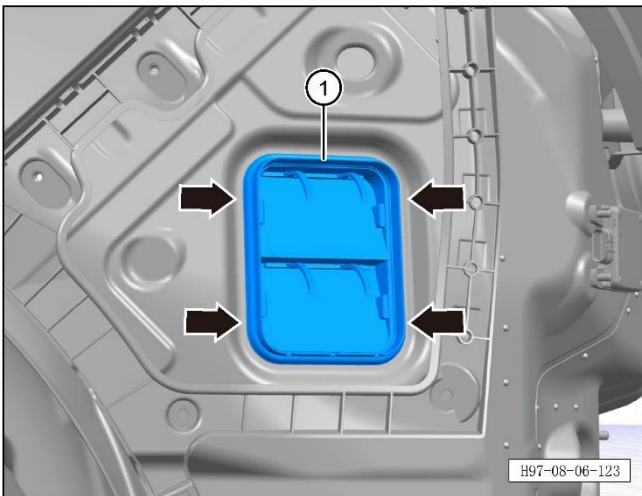
Note:

- The following is the removal and refitting of the left rear side wall vent grille assembly, which can be referred to for the operations on the right side.

1. Remove the rear bumper assembly (refer to [8.6.3.10 Removal and refitting of front bumper assembly](#))

2. Remove the left rear side wall vent grille assembly.

a. Disengage 4 fixing clips of the left rear side wall vent grille assembly, and remove the rear side wall vent grille assembly ①.



Refitting procedure

The refitting procedure is performed in reverse order.

**CAUTION:**

- Check the fixing clips for damage and replace them if necessary.

### 8.6.6.8 Removal and refitting of rear air deflector assembly

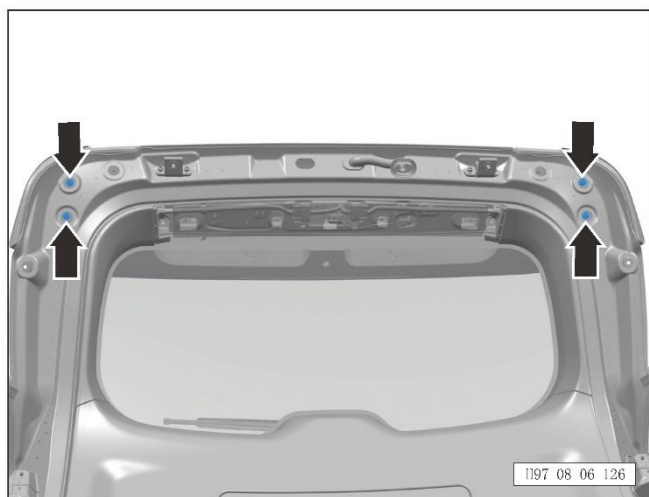
Removal procedure

1. Remove the left and right air deflectors of the tailgate (refer to [8.6.6.16 Removal and refitting of tailgate air deflector assembly](#))
2. Remove the rear air deflector assembly.
  - a. Remove 6 plugs of the tailgate.



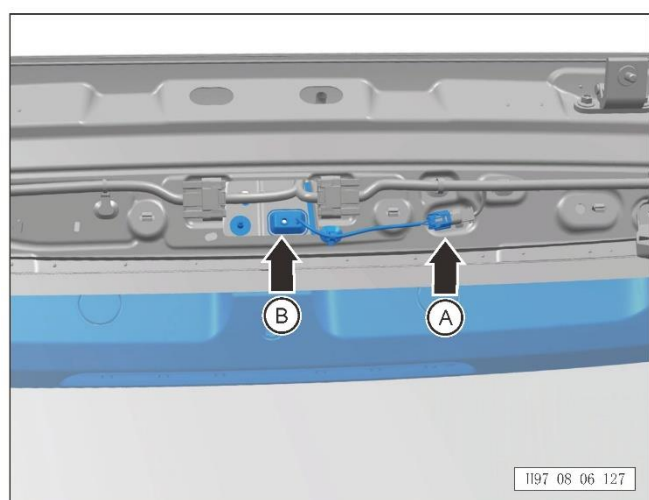
- b. Unscrew 3 fixing nuts of the rear air deflector assembly.

Tightening torque of nut:  $4\pm 1\text{Nm}$ .

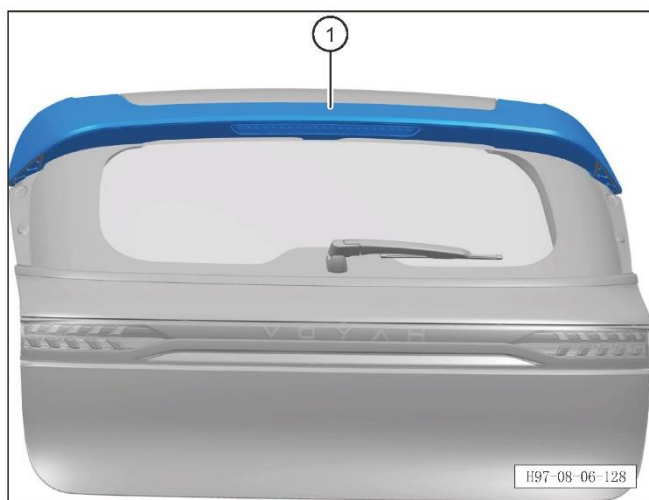


c. Unscrew 4 fixing bolts of the rear air deflector assembly.

Tightening torque of bolt:  $4\pm 1\text{Nm}$ .



d. Disconnect the high mounted brake lamp connector A, and disconnect the rear washer fluid spray pipe B.



e. Remove the rear air deflector assembly ①.

Refitting procedure

The refitting procedure is performed in reverse order.

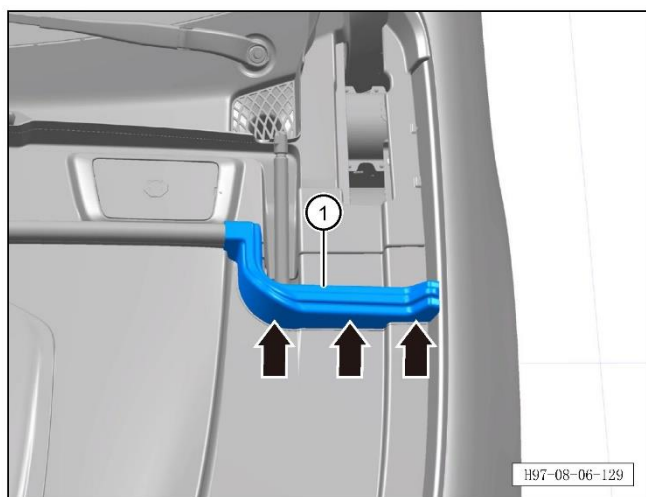
### 8.6.6.9 Removal and refitting of front windshield lower cover plate seal

Removal procedure

Note:

- The following is the removal and refitting of the left seal of the front windshield lower cover plate, which can be referred to for the operations on the right side.

1. Remove the left seal of the front windshield lower cover plate.



a. Disengage 3 fixing clips of the left seal of the front windshield lower cover plate, and remove the left seal of the front windshield lower cover plate ①.

Refitting procedure

The refitting procedure is performed in reverse order.

**CAUTION:**

- Check the fixing clips for damage and replace them if necessary.

### 8.6.6.10 Removal and refitting of engine compartment left front trim panel assembly (EV)

Removal procedure

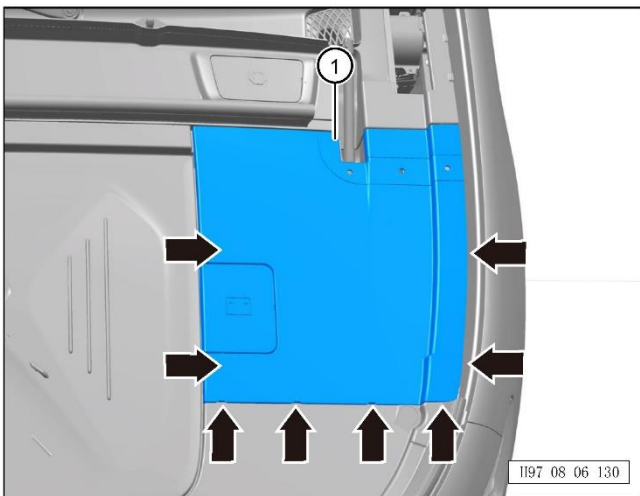
Note:

- The following is the removal and refitting of the engine compartment left front trim panel assembly, which can be referred to for the operations on the right side.

1. Remove the left seal of the front windshield lower cover plate (refer to [8.6.6.9 Removal and refitting of front windshield lower cover plate seal](#))

2. Remove the engine compartment left front trim panel assembly.

a. Disengage 8 fixing clips of the engine compartment left front trim panel assembly, and remove the engine compartment left front trim panel assembly ①.



Refitting procedure

The refitting procedure is performed in reverse order.

**CAUTION:**

- Check the fixing clips for damage and replace them if necessary.

### 8.6.6.11 Removal and refitting of engine compartment front middle trim panel assembly (EV)

Removal procedure

Note:

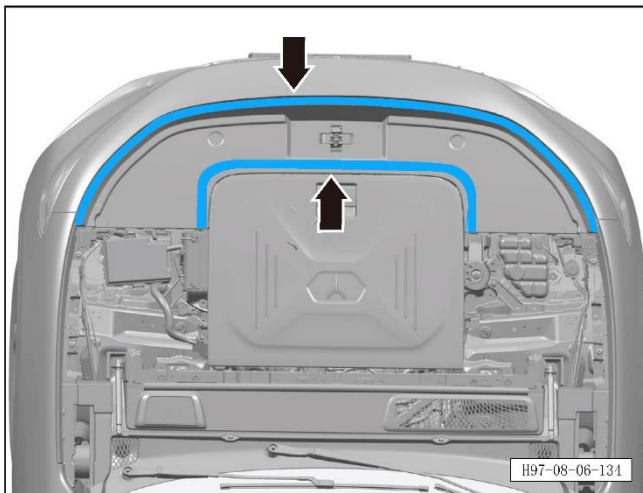
- The following is the removal and refitting of the engine compartment left front trim panel assembly, which can be referred to for the operations on the right side.

1. Remove the left and right front trim panel assemblies of the engine compartment (refer to [8.6.6.10 Removal and refitting of engine compartment front trim panel assembly \(EV\)](#))

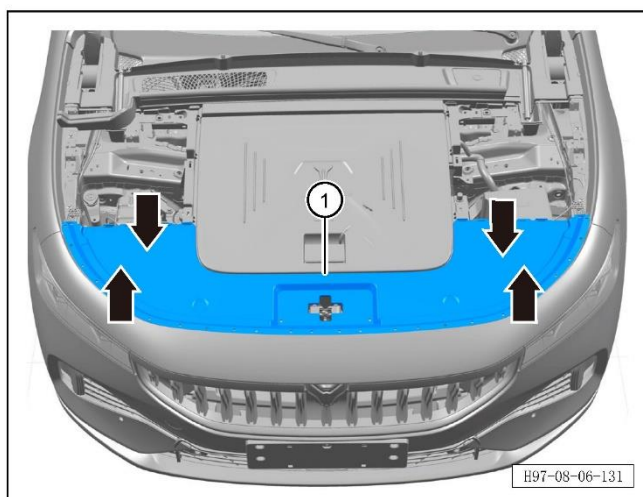
2. Remove the engine hood front sealing strip assembly (refer to [7.1.4.4 Removal and refitting of engine hood front sealing strip](#))

3. Remove the engine compartment front middle trim panel assembly.

a. Disengage 19 fixing clips at the front of the engine compartment front middle trim panel assembly.



b. Disengage 4 fixing clips of the engine compartment front middle trim panel assembly, and remove the engine compartment front middle trim panel assembly ①.



## Refitting procedure

The refitting procedure is performed in reverse order.

**CAUTION:**

- Check the fixing clips for damage and replace them if necessary.

**8.6.6.12 Removal and refitting of engine compartment rear trim panel assembly**

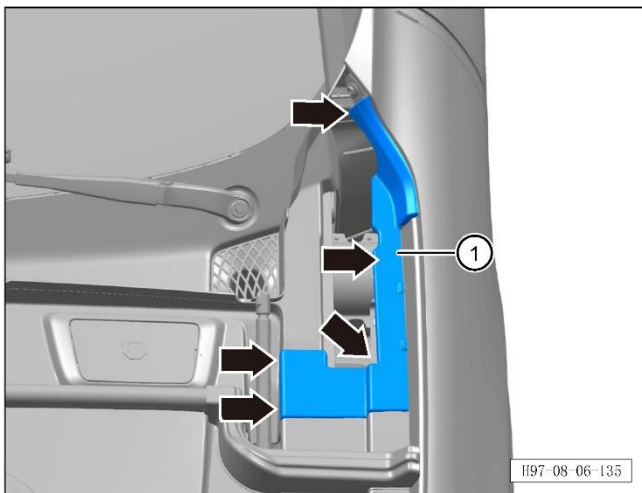
## Removal procedure

**Note:**

- The following is the removal and refitting of the engine compartment left rear trim panel assembly, which can be referred to for the operations on the right side.

1. Remove the engine compartment left rear trim panel assembly.

a. Detach 5 fixing clips of the engine compartment left rear trim panel assembly, and remove the engine compartment left rear trim panel assembly ①.



## Refitting procedure

The refitting procedure is performed in reverse order.

**CAUTION:**

- Check the fixing clips for damage and replace them if necessary.



### 8.6.6.13 Removal and refitting of seam trim

Removal procedure

Note:

- The following is the removal and refitting of the engine compartment left seam trim, which can be referred to for the operations on the right side.

1. Remove the engine compartment left front trim panel assembly (refer to [8.6.6.10 Removal and refitting of engine compartment front trim panel assembly](#))

2. Remove the lower end of the engine hood air strut (refer to [7.1.4.7 Removal and refitting of engine hood air strut](#))

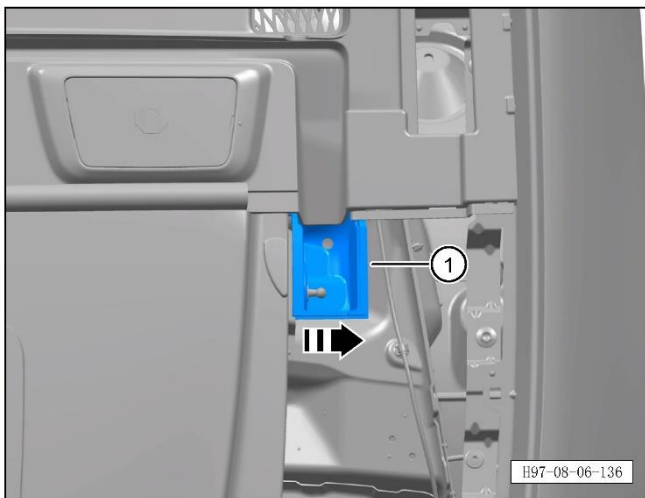
3. Remove the left seam trim.

a. Detach the fixing parts of the left seam trim in the direction (shown by arrow).

b. Remove the left seam trim ①.

Note:

- The bottom of the left seam trim is fixed with adhesives, so be careful to avoid damage to the left seam trim when removing it.



Refitting procedure

The refitting procedure is performed in reverse order.

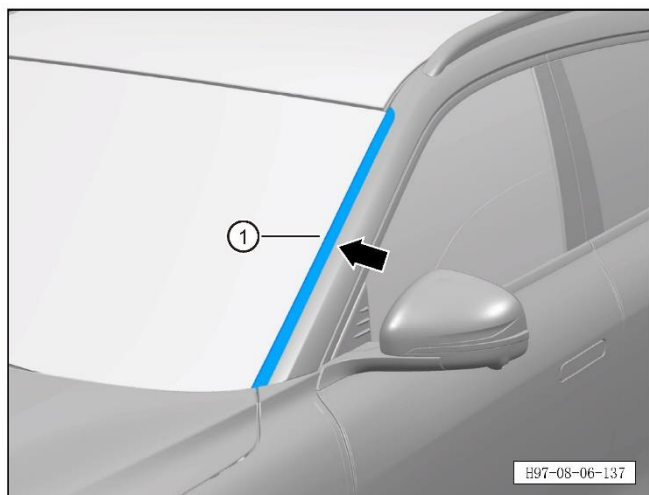
#### 8.6.6.14 Removal and refitting of front windshield trim strip assembly

Removal procedure

Note:

- The following is the removal and refitting of the front windshield left trim strip assembly, which can be referred to for the operations on the right side.

1. Remove the front windshield left trim strip assembly.



a. Disengage 13 fixing clips of the front windshield left trim strip assembly, and remove the front windshield left trim strip assembly ①.

Refitting procedure

The refitting procedure is performed in reverse order.

**8.6.6.15 Removal and refitting of fender trim panel**

Removal procedure

Note:

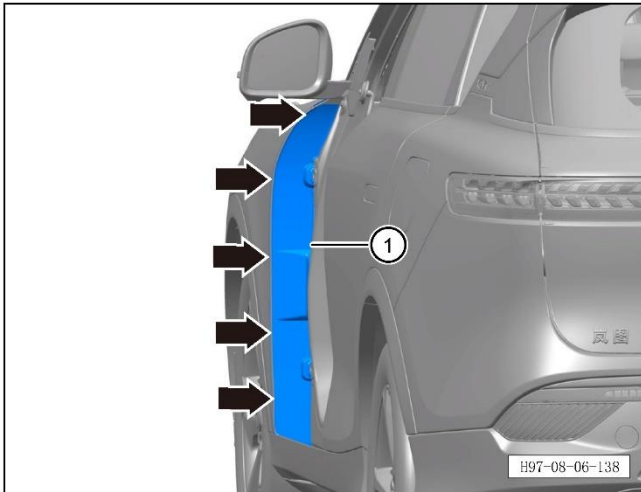
- The following is the removal and refitting of the left fender trim panel, which can be referred to for the operations on the right side.

1. Open the left front door.

2. Remove the left fender trim panel.

a. Disengage 5 fixing clips of the left fender trim panel.

b. Remove the left fender trim panel ①.



Refitting procedure

The refitting procedure is performed in reverse order.

### 8.6.6.16 Removal and refitting of tailgate air deflector assembly

Removal procedure

Note:

- The following is the Removal and refitting of the left rear tailgate air deflector assembly, which can be referred to for the operations on the right side.

1. Open the tailgate.

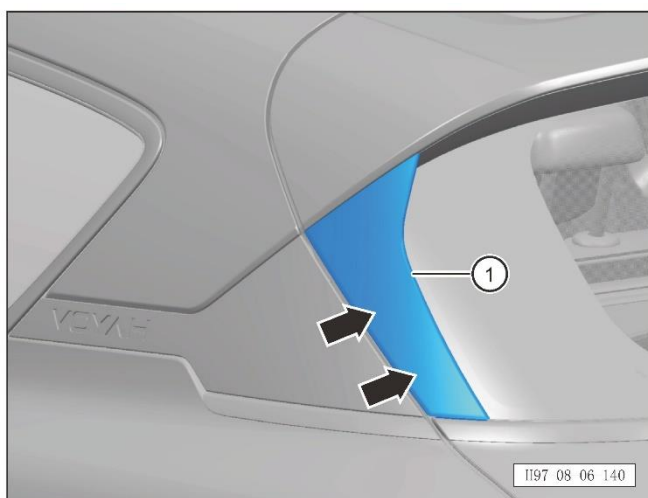
2. Remove the left tailgate air deflector assembly.

a. Unscrew 1 fixing bolt of the left rear tailgate air deflector assembly.

Tightening torque of bolt:  $4\pm 1\text{Nm}$ .



b. Disengage 2 fixing clips of the left rear tailgate air deflector assembly.



Refitting procedure

The refitting procedure is performed in reverse order.

### 8.6.6.17 Removal and refitting of roof rack assembly

Removal procedure

Note:

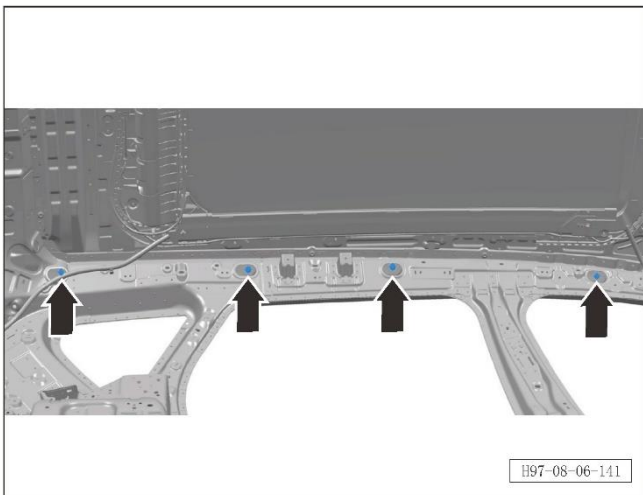
- The following is the removal and refitting of the left roof rack assembly, which can be referred to for the operations on the right side.

1. Remove the roof inner trim panel assembly (refer to [8.5.6.1 Removal and refitting of roof inner trim panel assembly](#))

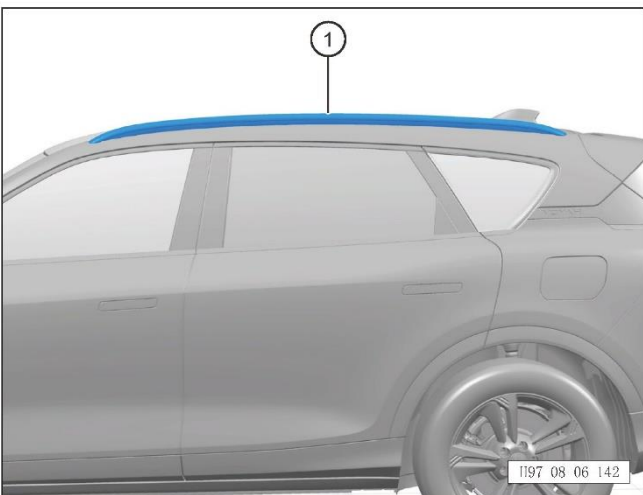
2. Remove the left roof rack assembly.

a. Unscrew 4 fixing bolts of the left roof rack assembly.

Tightening torque of bolt:  $9\pm 2\text{Nm}$ .



b. Remove the left roof rack assembly ①.



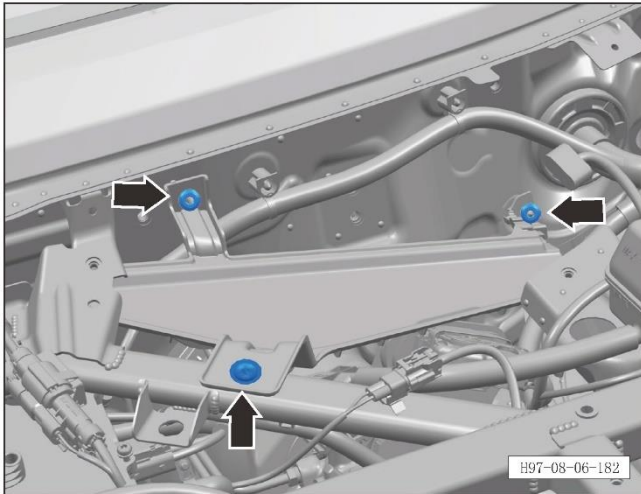
Refitting procedure

The refitting procedure is performed in reverse order.

### 8.6.6.18 Removal and refitting of water deflector

Removal procedure

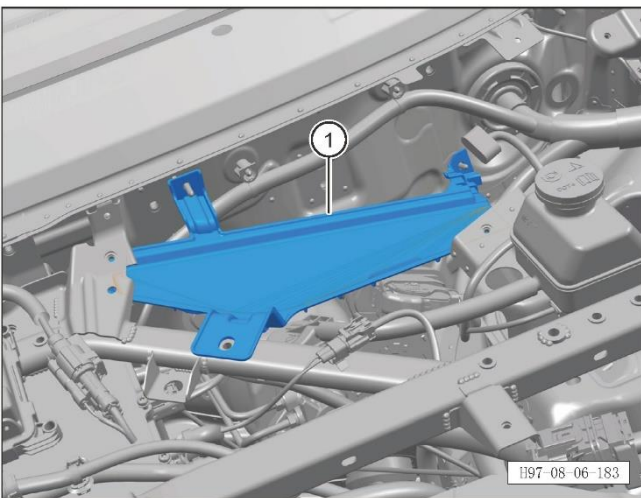
1. Remove the wiper cover plate, the nozzle and the front pipe assembly 2 (refer to [8.6.7.9 Removal and refitting of wiper cover plate](#))
2. Remove the front brake motor and bracket assembly (refer to [8.6.7.15 Removal and refitting of front wiper motor and bracket assembly](#))
3. Remove the water deflector.



- a. Unscrew 2 fixing nuts and 1 fixing screw of the water deflector.

Tightening torque of nut:  $4\pm 0.8\text{Nm}$ .

Tightening torque of screws:  $8\pm 1\text{Nm}$ .



- b. Remove the water deflector ①.

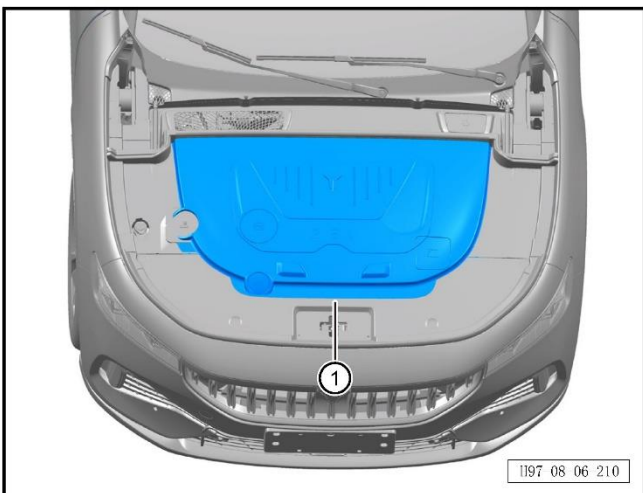
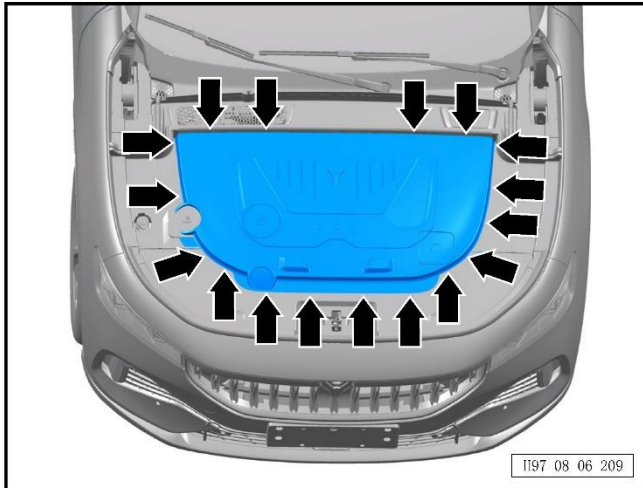
Refitting procedure

The refitting procedure is performed in reverse order.

**8.6.6.19 Removal and refitting of engine hood panel assembly (REV)**

Removal procedure

1. Open the engine hood.
2. Remove the hood panel assembly (REV).
  - a. Disengage 17 fixing clips of the engine hood panel.



- b. Remove the hood panel assembly ①.

Refitting procedure

The refitting procedure is performed in reverse order.

### 8.6.6.20 Removal and refitting of engine compartment front trim panel assembly (REV)

Removal procedure

Note:

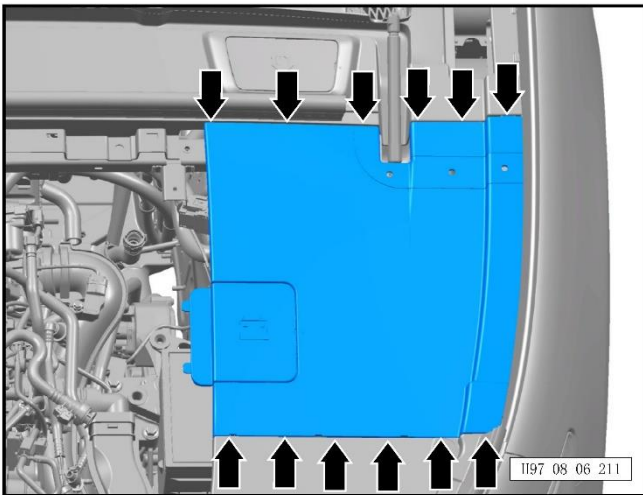
- The following is the removal and refitting of the engine compartment left front trim panel assembly, which can be referred to for the operations on the right side.

1. Remove the engine hood panel assembly (refer to [8.6.6.19 Removal and refitting of engine hood panel assembly \(REV\)](#))

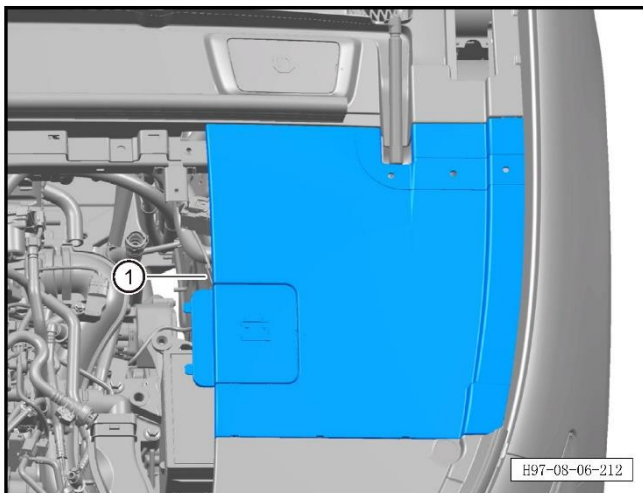
2. Remove the left seal of the front windshield lower cover plate (refer to [8.6.6.9 Removal and refitting of front windshield lower cover plate seal](#))

3. Remove the engine compartment left front trim panel assembly.

a. Disengage 12 fixing clips of the engine compartment left front trim panel assembly.



b. Remove the engine compartment left front trim panel assembly ①.



Refitting procedure

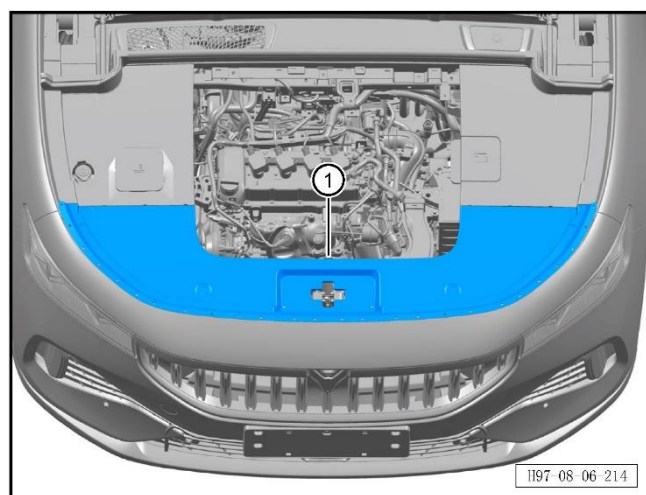
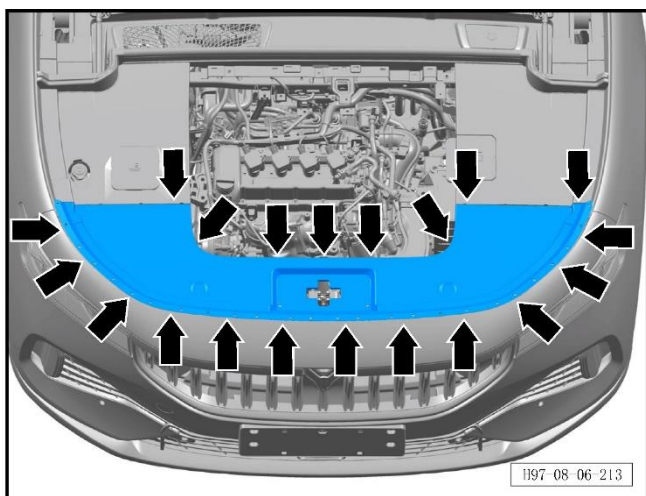
The refitting procedure is performed in reverse order.



### 8.6.6.21 Removal and refitting of engine compartment front middle trim panel assembly (REV)

Removal procedure

1. Open the engine hood.
2. Remove the engine hood panel assembly (refer to [8.6.6.19 Removal and refitting of engine hood panel assembly \(REV\)](#))
3. Remove the engine hood front sealing strip assembly (refer to [7.1.4.4 Removal and refitting of engine hood front sealing strip](#))
4. Remove the engine compartment front middle trim panel assembly (REV).
  - a. Disengage 18 fixing clips of the engine compartment front middle trim panel assembly.



- b. Remove the engine compartment front middle trim panel assembly ①.

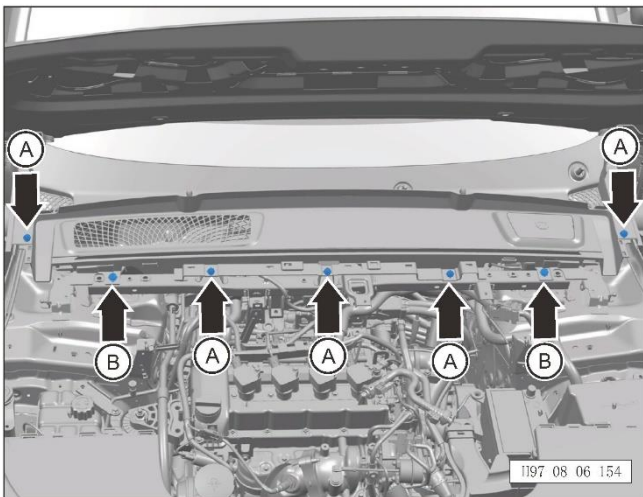
Refitting procedure

The refitting procedure is performed in reverse order.

### 8.6.6.22 Removal and refitting of windshield lower trim panel assembly

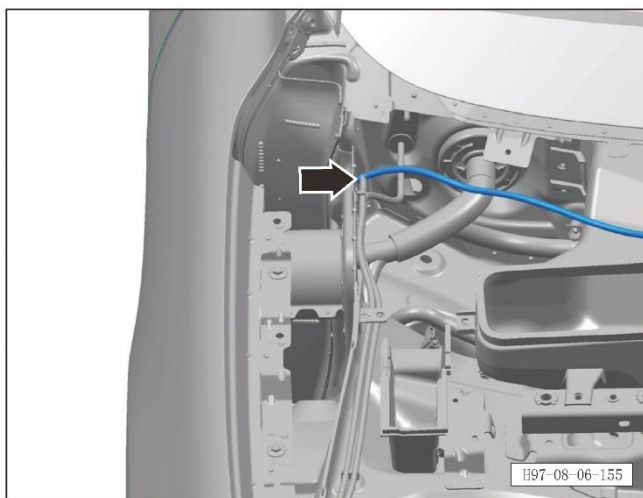
Removal procedure

1. Open the engine compartment.
2. Remove the front wiper arm assembly (refer to [8.6.7.8 Removal and refitting of front wiper arm assembly](#))
3. Remove and refit the front trim panel assembly (refer to [8.6.6.20 Removal and refitting of engine compartment front trim panel assembly](#))
4. Remove and refit the front windshield lower cover plate seal (refer to [8.6.6.9 Removal and refitting of front windshield lower cover plate seal](#))
5. Remove the engine hood air strut (refer to [7.1.4.7 Removal and refitting of engine hood air strut](#))
6. Remove and refit the engine compartment rear trim panel assembly (refer to [8.6.6.12 Removal and refitting of engine compartment rear trim panel assembly](#))
7. Remove the windshield lower trim panel assembly.

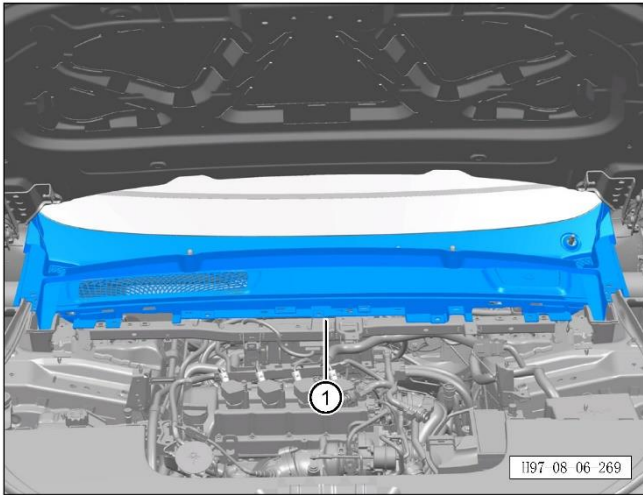


- a. Disengage 5 fixing clips A of the windshield lower trim panel, and unscrew 2 fixing bolts B of the windshield lower trim panel.

Tightening torque of bolt:  $4\pm 0.8\text{Nm}$ .



- b. Disconnect the windshield lower trim panel pipe.



c. Remove the front windshield lower trim panel assembly ①.

Refitting procedure

The refitting procedure is performed in reverse order.

## 8.6.7 Wiper washer system

### 8.6.7.1 Description and operation

#### System overview

The wiper washer system is a windshield cleaning device that ensures the driver's vision. The system consists of a front wiper, a rear wiper, and a front & rear windshield washer system. The front wiper has two operating speeds and can work intermittently; the rear wiper has only one operating speed; the front and rear wipers consist of a wiper motor, a linkage mechanism, a wiper arm, a wiper blade, etc.; the front & rear windshield washer system consists of a fluid reservoir, washer motor, front and rear cleaning pipelines, front and rear nozzles, etc. The wiper and washer system are all controlled by the BCM.

#### Function and operation

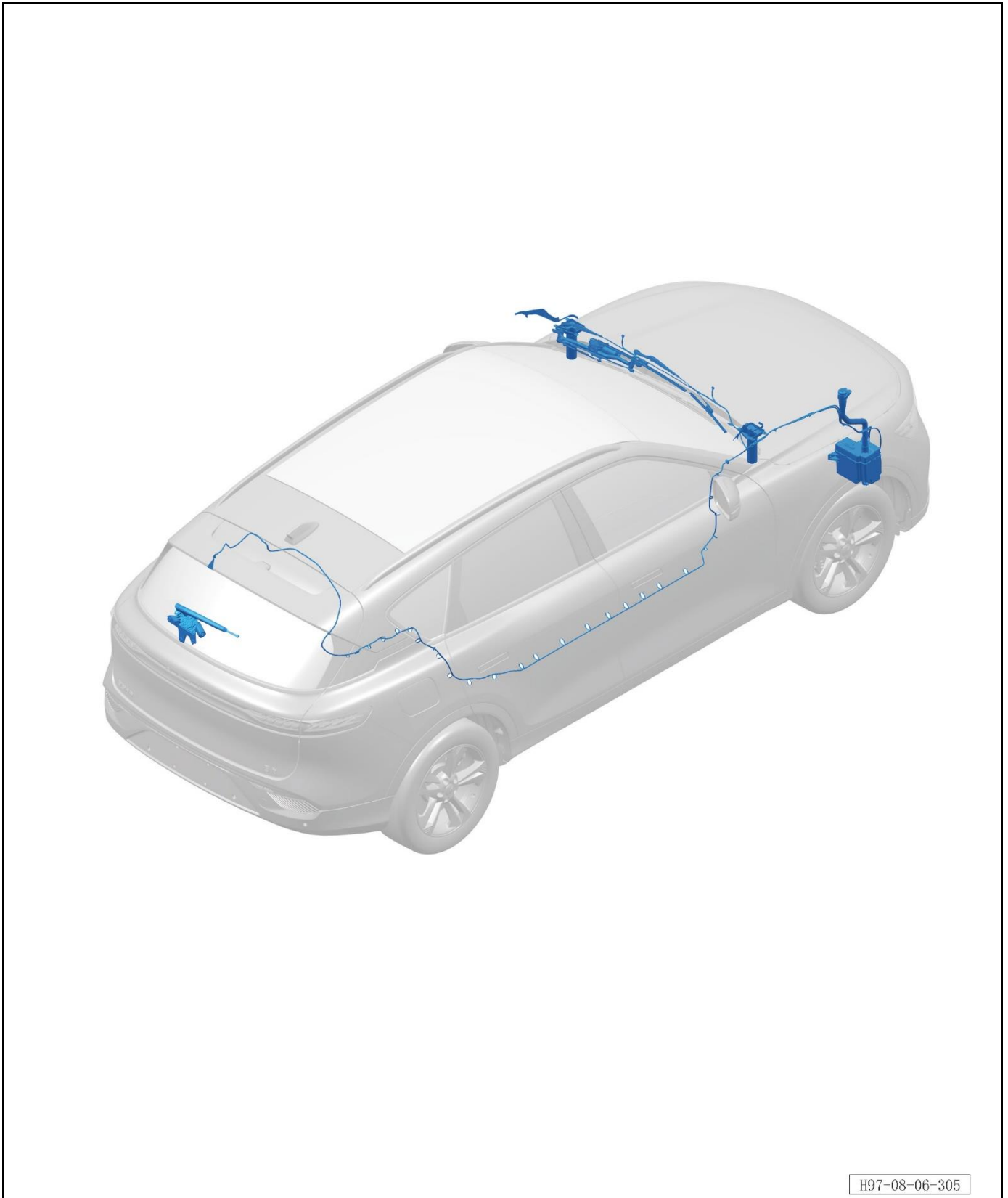
When the start switch is in the ON position:

- If the wiper switch is set to MIST/LO position, the front wiper is turned on at low speed.
- If the wiper switch is set in the HI position, the front wiper is turned on at high speed.
- If the wiper switch is set to INT position, the front wiper is turned on at a low speed intermittently, and the intermittent interval is adjusted by the wiper switch.
- If the wiper switch is set to AUTO, the front wiper acts accordingly on the command of the rain/light sensor.
- If the front washer switch is valid and the front washer sprayer is turned on, the front wiper starts to work at a low speed. After the front washer switch is turned off, the front wiper stops, and works once after 6s.
- If the tailgate is closed and the rear wiper switch is valid, the rear wiper is turned on.
- If the tailgate is closed, the rear washer switch is valid and the rear wiper is turned on, the rear wiper starts to work. After the rear washer switch is turned off, the rear wiper stops, and works once after 6s.
- If the front wiper is in INT/LO/HI position, and the reversing gear is engaged, the rear wiper works synchronously with the front wiper.

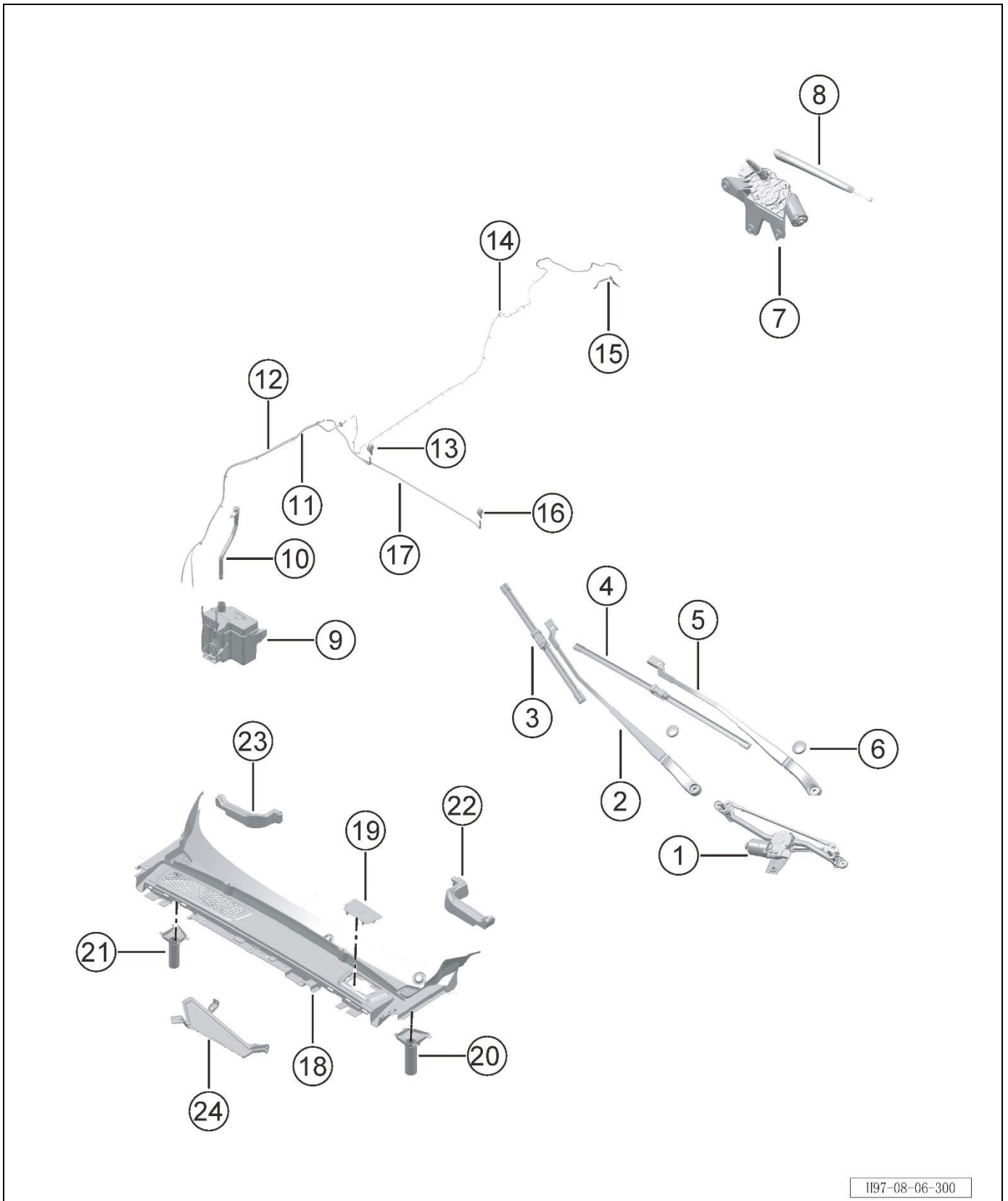
**8.6.7.2 Specifications**

Fastening position	Specification	Tightening torque (Nm)
Washer reservoir assembly	Hexagon head bolt and plain washer assembly M6×20, hexagon flange nut M6	8 ± 2
Washer reservoir assembly filler port	Hexagon head bolt and plain washer assembly M6×20,	8 ± 2
Left wiper arm & blade assembly	Hexagon flange nut M8	22 ± 4
Right wiper arm and wiper assembly	Hexagon flange nut M8	22 ± 4
Wiper motor and linkage mechanism assembly	Hexagon head bolt and plain washer assembly M6×30	8 ± 2
Rear wiper arm & blade assembly	Hexagon flange nut M8	10 ± 2
Rear wiper motor	Hexagon head bolt and plain washer assembly M6×20	8 ± 2

**8.6.7.3 Position diagram of parts**



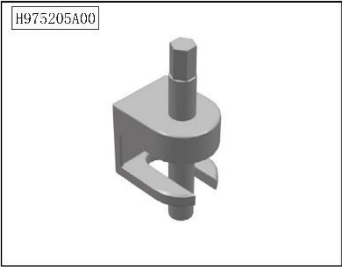
8.6.7.4 Exploded view of structure



S/N	Part name	Loading quantity	Remarks
1	Front wiper motor & bracket assembly	1	
2	Right front wiper arm assembly	1	
3	Right front wiper blade assembly	1	
4	Left front wiper blade assembly	1	
5	Left front wiper arm assembly	1	
6	Front wiper arm end cover	2	
7	Rear wiper motor & bracket assembly	1	
8	Rear wiper arm & blade assembly	1	
9	Washer fluid reservoir assembly	1	
10	Filler pipe assembly	1	
11	Rear pipe assembly	1	
12	Front pipe assembly	1	
13	Right nozzle	1	
14	Rear pipe assembly 2	1	
15	Rear nozzle assembly	1	
16	Left nozzle	1	
17	Front pipe assembly 2	1	
18	Windshield lower trim panel assembly	1	
19	Brake fluid filler cover plate	1	
20	Left drain channel	1	
21	Right drain channel	1	
22	Front windshield lower cover plate left seal	1	
23	Front windshield lower cover plate right seal	1	
24	Water deflector	1	



**8.6.7.5 SST and equipment**

S/N	Diagram	Tool number	Name
1		H975205A00	Special tool for removal of wiper arm

### 8.6.7.6 Removal and refitting of front wiper arm end cover

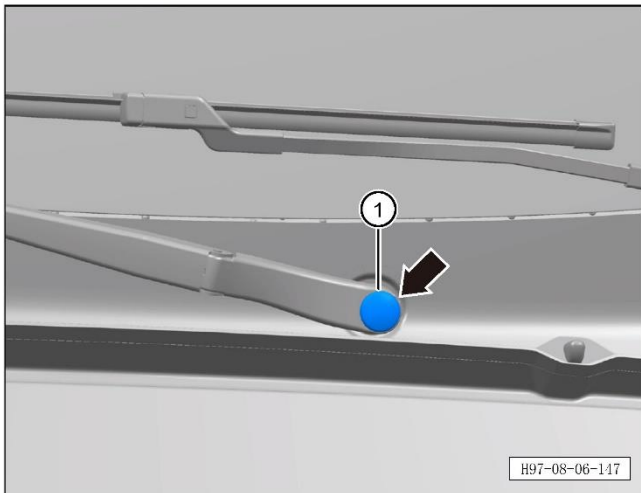
Removal procedure

Note:

- The following is the removal and refitting of the right front wiper arm end cover, which is the same as that of the left side.

1. Remove the right front wiper arm end cover.

a. Remove the right front wiper arm end cover ① in the direction (shown by arrow).



Refitting procedure

The refitting procedure is performed in reverse order.

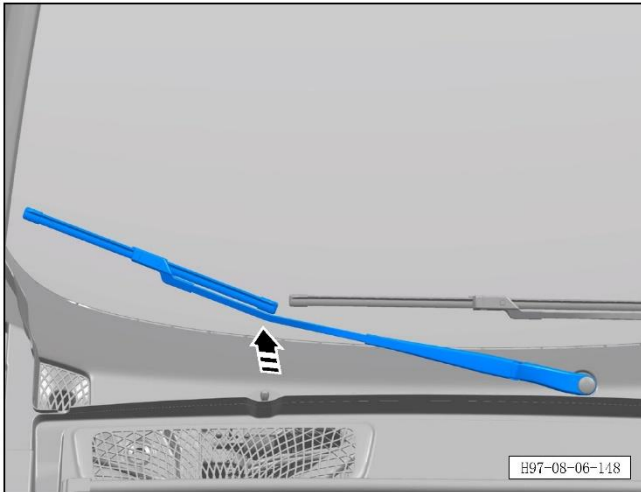
### 8.6.7.7 Removal and refitting of front wiper blade assembly

Removal procedure

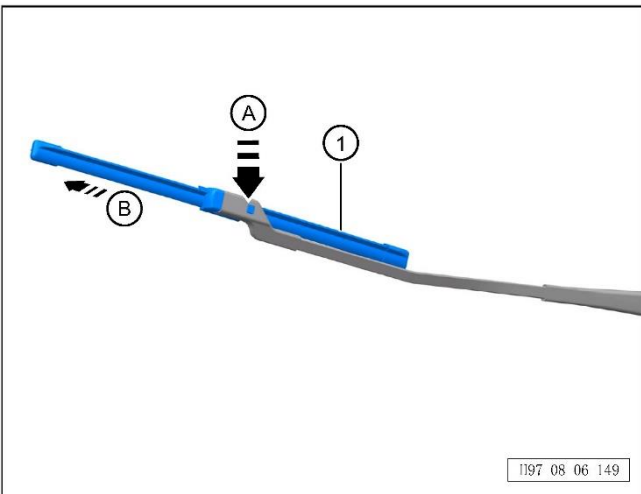
Note:

- The following is the removal and refitting of the right front wiper blade assembly, which is the same as that of the left side.

1. Remove the right front wiper blade assembly.



a. Lift the right front wiper arm in the direction (shown by arrow).



b. Press the removal button down in the direction (shown by arrow A), and detach the right front wiper blade assembly ① in the direction (shown by arrow B).

Refitting procedure

The refitting procedure is performed in reverse order.

### 8.6.7.8 Removal and refitting of front wiper arm assembly

Removal procedure

Note:

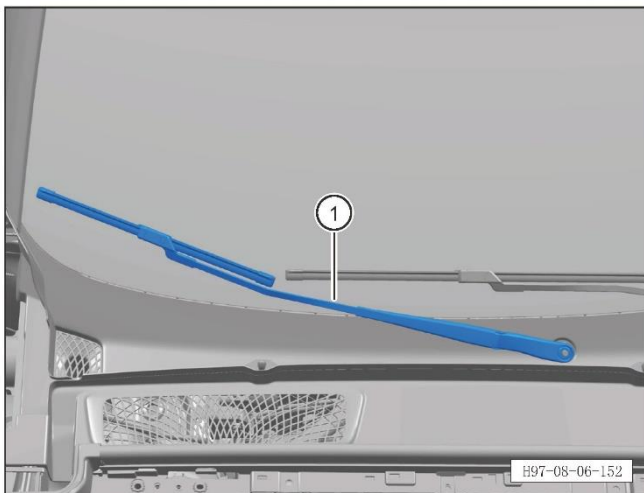
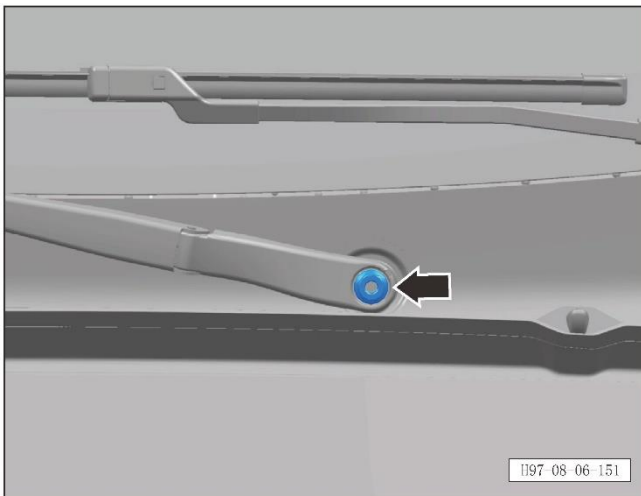
- The following is the removal and refitting of the right front wiper arm assembly, which is the same as that of the left side.

1. Remove the right front wiper arm end cover (refer to [8.6.7.6 Removal and refitting of front wiper arm end cover](#))

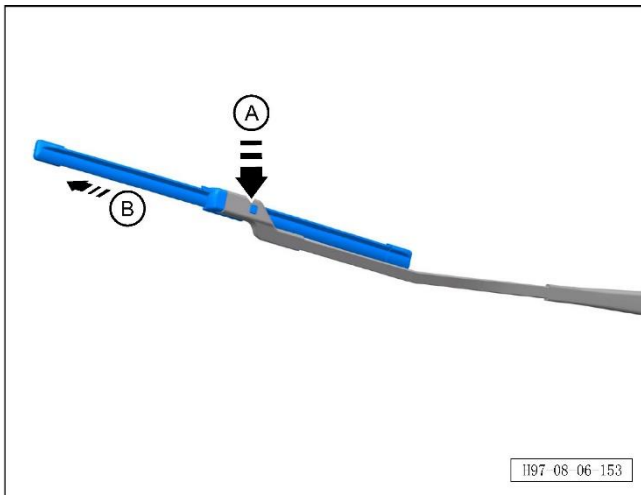
2. Remove the right front wiper arm assembly.

a. Unscrew 1 fixing nut of the right front wiper arm assembly.

Tightening torque of nut:  $9\pm 2\text{Nm}$ .



b. Use the wiper arm removal tool to remove the right front wiper arm & blade assembly ①.



c. Press the removal button down in the direction (shown by arrow A), and detach the right front wiper blade assembly in the direction (shown by arrow B).

#### Refitting procedure

The refitting procedure is performed in reverse order.

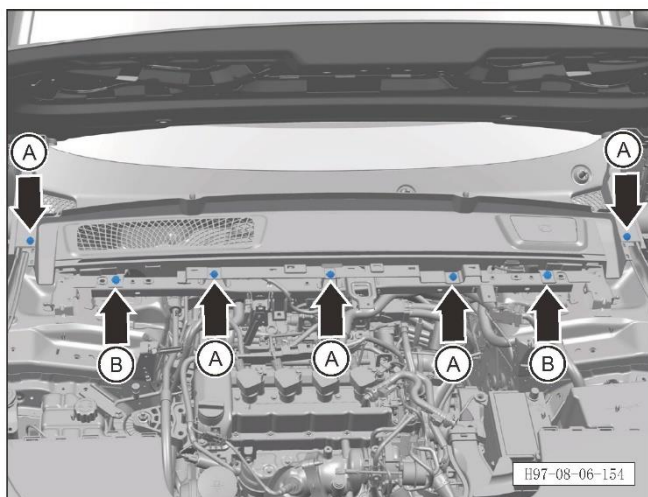
#### CAUTION:

- When refitting the wiper arm & blade assembly, pay attention to the left and right directions. Check and adjust the wiper blade mounting position.

#### 8.6.7.9 Removal and refitting of wiper cover

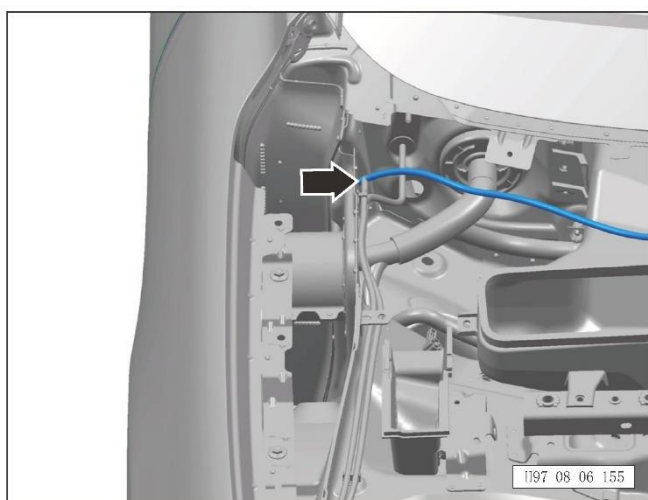
##### Removal procedure

1. Remove the left and right front wiper arm assemblies (refer to [8.6.7.8 Removal and refitting of front wiper arm assembly](#))
2. Remove the left and right front trim panel assemblies of the engine compartment (refer to [8.6.6.10 Removal and refitting of engine compartment front trim panel assembly](#))
3. Remove the left and right rear trim panel assemblies of the engine compartment (refer to [8.6.6.12 Removal and refitting of engine compartment rear trim panel assembly](#))
4. Remove the engine hood assembly (refer to [12.1.5.1 Adjustment of engine hood](#))
5. Remove the wiper cover plate.

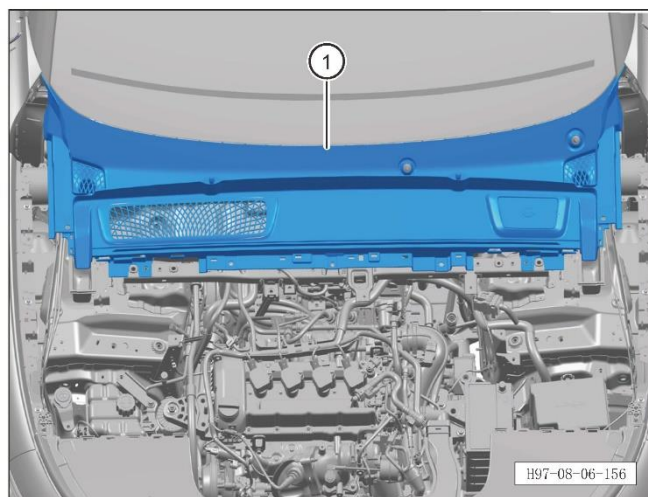


a. Disengage 5 fixing clips A of the wiper cover plate, and unscrew the 2 fixing bolts B of the wiper cover plate.

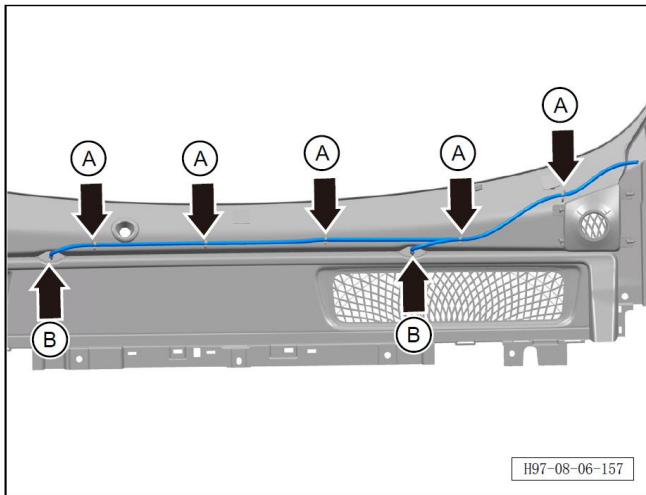
Tightening torque of bolt:  $4\pm 0.8\text{Nm}$ .



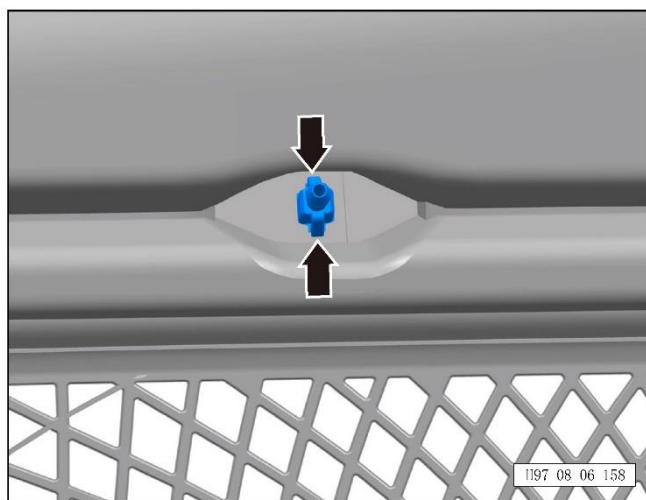
b. Disconnect the front pipe assembly 2 from front pipe assembly.



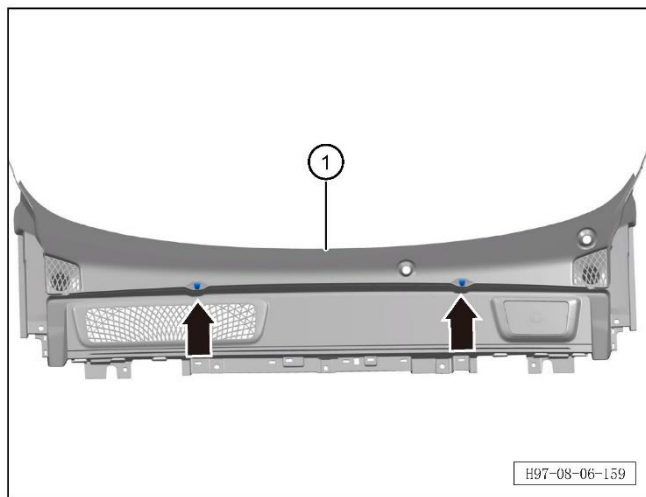
c. Remove the wiper cover plate, nozzle and front pipe assembly 2 ①.



d. Disconnect the connection B between the front pipe assembly 2 and the nozzle, and disengage 5 fixing clips A of the front pipe assembly 2.



e. Disengage 2 fixing clips of the nozzle and remove the nozzle.



f. Remove the nozzle from the front and take out the wiper cover plate ①.

Refitting procedure

The refitting procedure is performed in reverse order.

### 8.6.7.10 Removal and refitting of left nozzle

Removal procedure

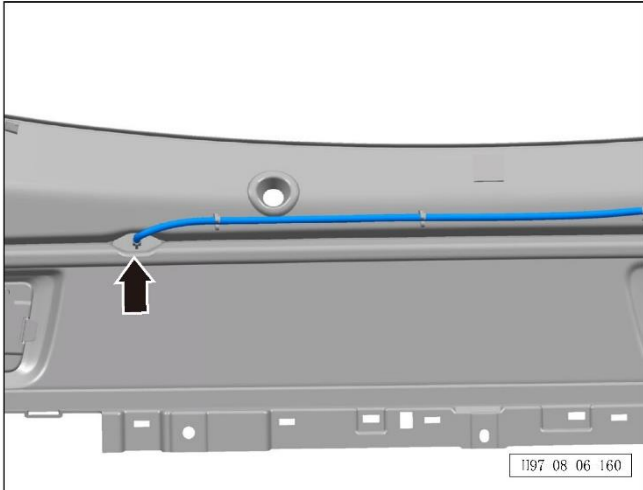
Note:

- The following is the removal and refitting of the left nozzle assembly, which can be referred to for the operations on the right side.

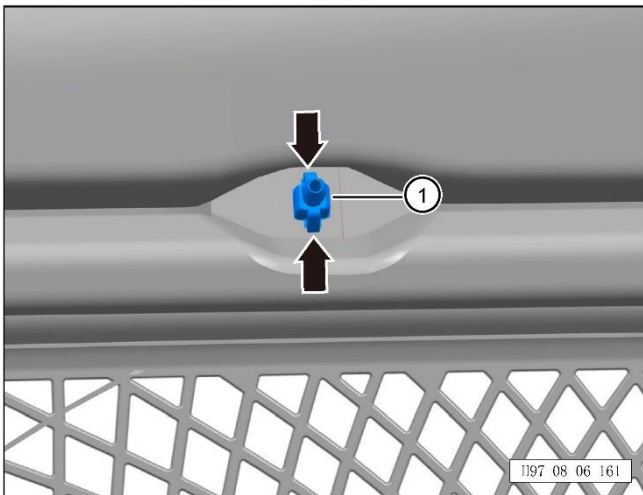
1. Remove the wiper cover plate, the nozzle and the front pipe assembly 2 (refer to [8.6.7.9 Removal and refitting of wiper cover plate](#))

2. Remove the left nozzle.

a. Disconnect the front pipe assembly 2 from left nozzle.



b. Disengage 2 fixing clips of the left nozzle and remove the left nozzle ①.



Refitting procedure

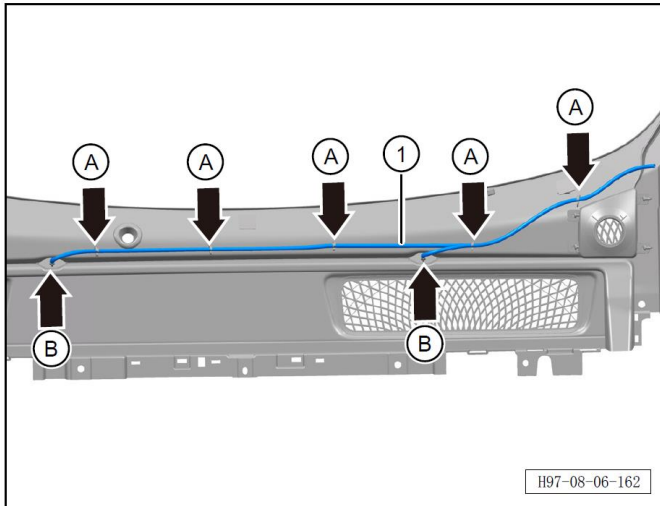
The refitting procedure is performed in reverse order.



### 8.6.7.11 Removal and refitting of rear pipe assembly 2

Removal procedure

1. Remove the wiper cover plate, the nozzle and the front pipe assembly 2 (refer to [8.6.7.9 Removal and refitting of wiper cover plate](#))
2. Remove the front pipe assembly 2.
  - a. Disconnect the connection B between the front pipe assembly 2 and the nozzle, disengage 5 fixing clips A of the front pipe assembly 2, and remove the rear pipe assembly 2 ①.



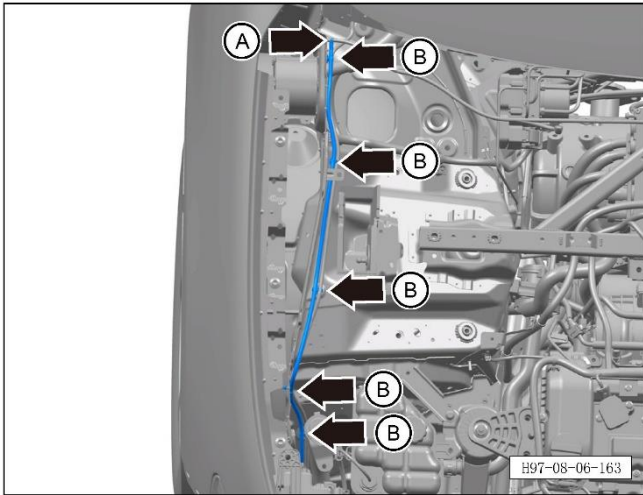
Refitting procedure

The refitting procedure is performed in reverse order.

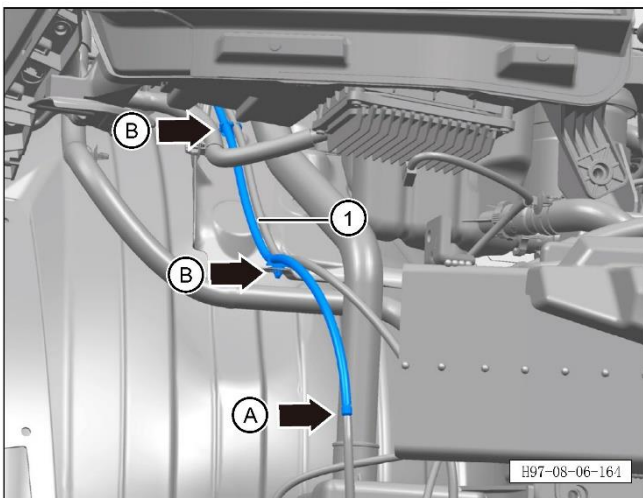
### 8.6.7.12 Removal and refitting of front pipe assembly

Removal procedure

1. Remove the wiper cover plate, the nozzle and the front pipe assembly 2 (refer to [8.6.7.9 Removal and refitting of wiper cover plate](#))
2. Remove the engine compartment right rear trim panel assembly (refer to [8.6.6.12 Removal and refitting of engine compartment rear trim panel assembly](#))
3. Remove the engine compartment right front trim panel assembly (refer to [8.6.6.10 Removal and refitting of engine compartment front trim panel assembly](#))
4. Remove the engine compartment front middle trim panel assembly (refer to [8.6.6.11 Removal and refitting of front middle trim panel assembly](#))
5. Remove the front bumper assembly (refer to [8.6.3.3 Removal and refitting of front bumper assembly](#))
6. Remove the front pipe assembly.



a. Disconnect the connection A between the front pipe assembly and the front pipe assembly 2, and disengage 5 fixing clips B at the upper part of the front pipe assembly ①.



b. Disconnect the connection A between the front pipeline assembly and the cleaning agent tank assembly pipeline, disconnect the lower two fixing clips B of the front pipeline assembly, and remove the front pipeline assembly ①.

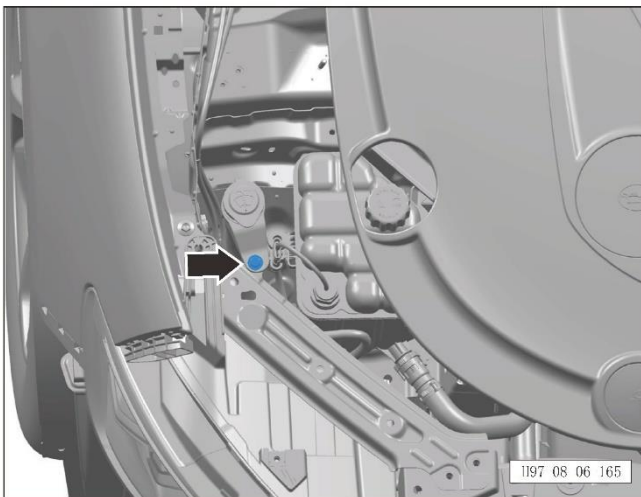
Refitting procedure

The refitting procedure is performed in reverse order.

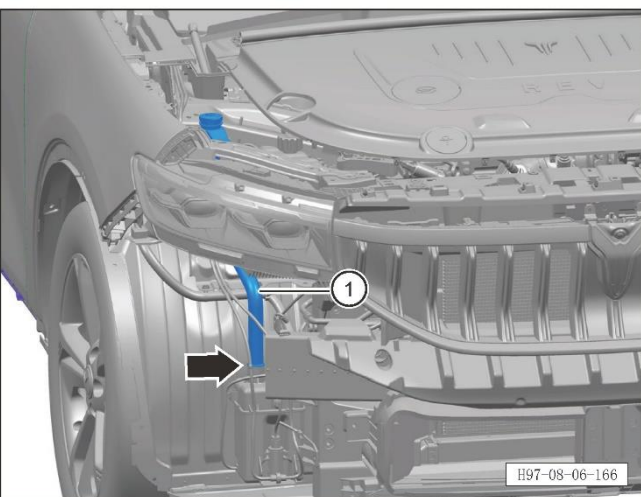
### 8.6.7.13 Removal and refitting of filler pipe assembly

#### Removal procedure

1. Remove the engine compartment right front trim panel assembly (refer to [8.6.6.10 Removal and refitting of engine compartment front trim panel assembly](#))
2. Remove the engine compartment front middle trim panel assembly (refer to [8.6.6.11 Removal and refitting of engine compartment front middle trim panel assembly](#))
3. Remove the front bumper assembly (refer to [8.6.3.3 Removal and refitting of front bumper assembly](#))
4. Remove the filler pipe assembly.



- a. Unscrew 1 fixing bolt of the filler tube assembly.  
Tightening torque of bolt:  $9\pm 2\text{Nm}$ .



- b. Disconnect the fluid filler pipe assembly from the washer fluid reservoir assembly, and remove the liquid filler pipe assembly ①.

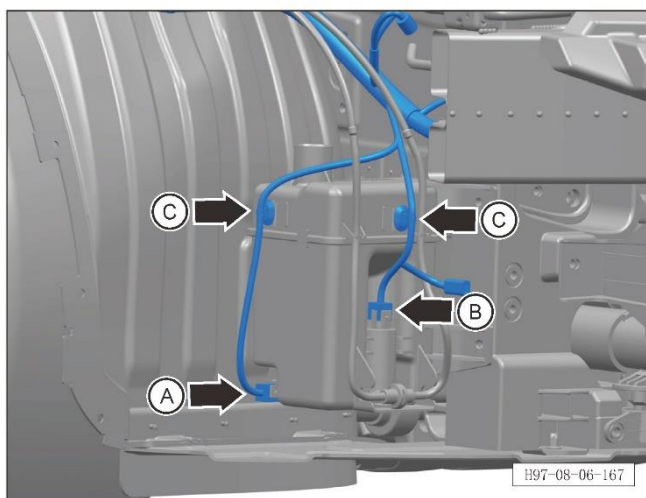
#### Refitting procedure

The refitting procedure is performed in reverse order.

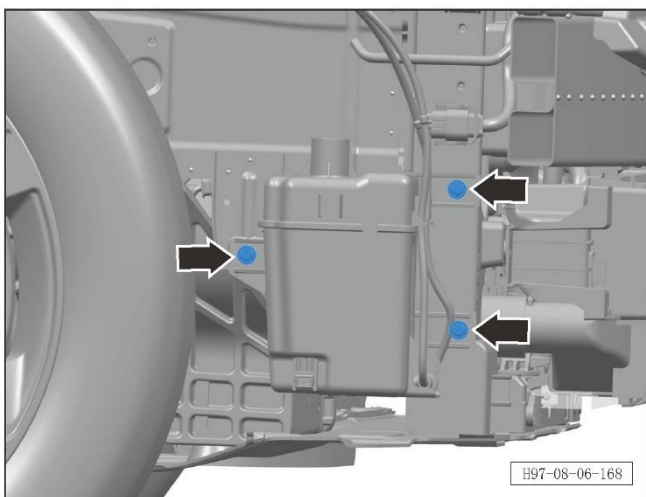
### 8.6.7.14 Removal and refitting of washer fluid reservoir assembly

#### Removal procedure

1. Remove the front bumper assembly (refer to [8.6.3.3 Removal and refitting of front bumper assembly](#))
2. Remove the right front wheel housing mudguard assembly (refer to [8.6.4.1 Removal and refitting of front wheel housing mudguard assembly](#))
3. Remove the filler pipe assembly (refer to [8.6.7.13 Removal and refitting of filler pipe assembly](#))
4. Remove the washer fluid reservoir assembly.



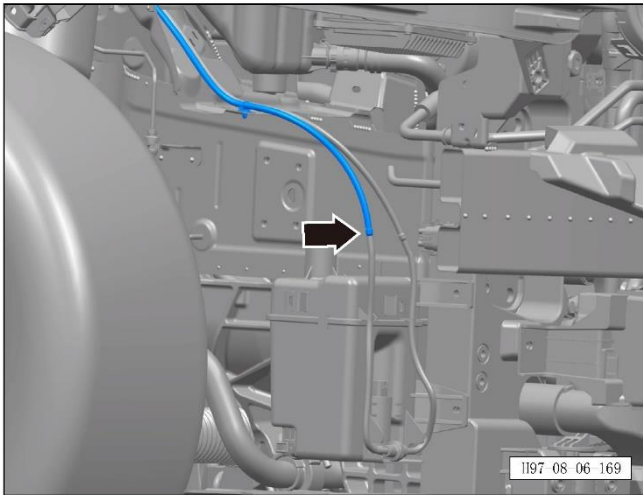
- a. Disconnect the fluid level sensor connector A, the water pump connector B, and disengage 2 fixing clips C of the washer fluid reservoir assembly.



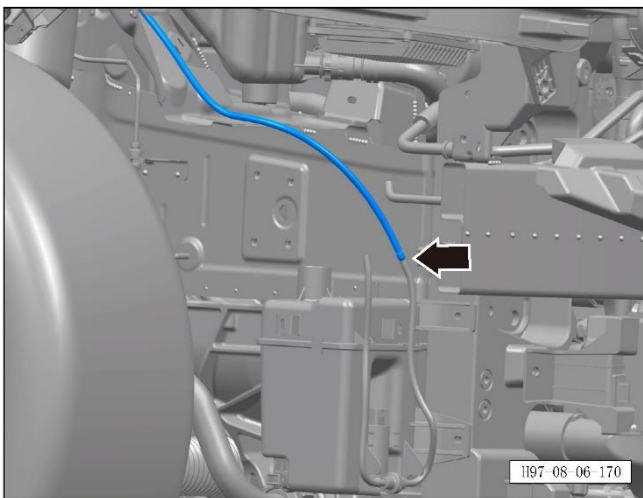
- b. Unscrew 3 fixing bolts of the washer fluid reservoir assembly  
Tightening torque of bolt:  $9\pm 2\text{Nm}$ .

#### Refitting procedure

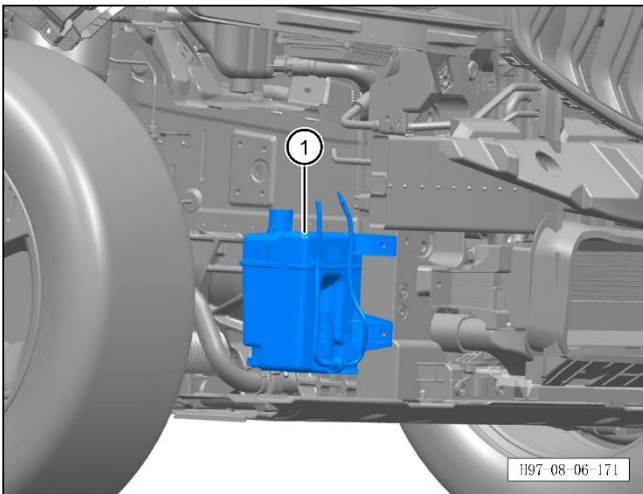
The refitting procedure is performed in reverse order.



c. Disconnect the front pipe assembly from the pipe of washer fluid reservoir assembly.



c. Disconnect the rear pipe assembly from the pipe of washer fluid reservoir assembly.



c. Disconnect the connection B between the rear pipe assembly and the washer fluid reservoir assembly pipe.

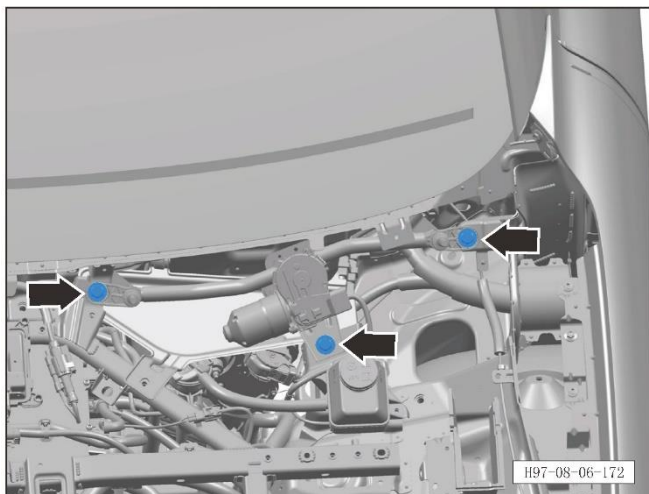
Refitting procedure

The refitting procedure is performed in reverse order.

### 8.6.7.15 Removal and refitting of front wiper motor & bracket assembly

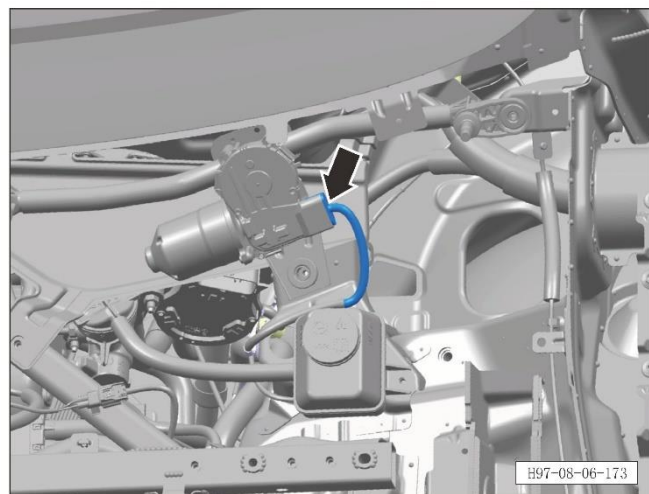
Removal procedure

1. Remove the wiper cover, the nozzle and the front pipe assembly (refer to [8.6.7.9 Removal and refitting of wiper cover](#) 2. [Remove the front wiper motor & bracket assembly.](#)

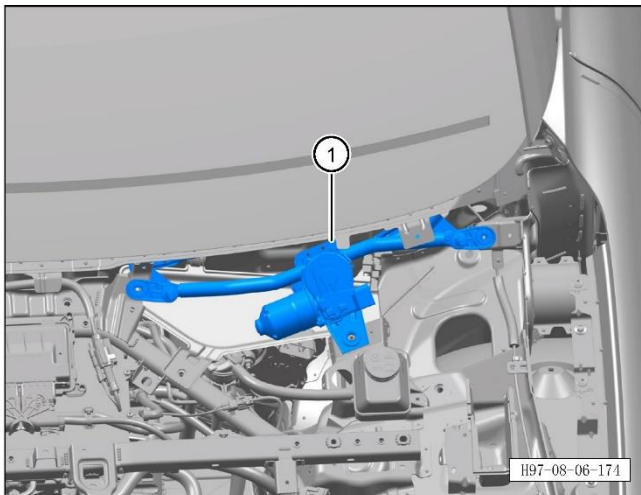


a. Unscrew the 3 fixing bolts of the front wiper motor & bracket assembly.

Tightening torque of bolt:  $30\pm 2\text{Nm}$ .



b. Disconnect the front wiper motor & bracket assembly insert.



- c. Remove the front wiper motor & bracket assembly ①.

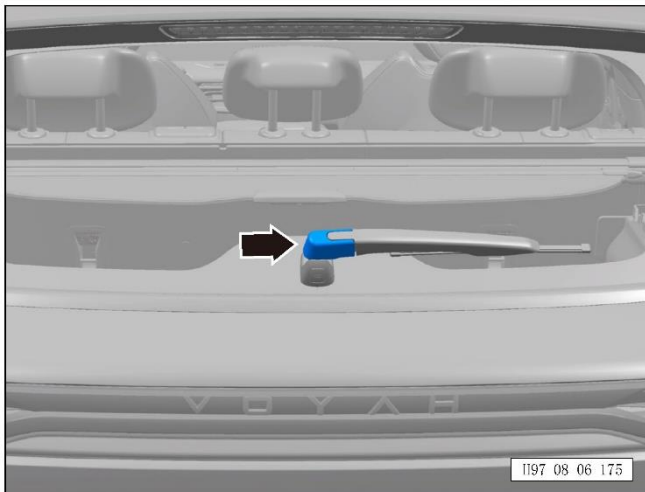
Refitting procedure

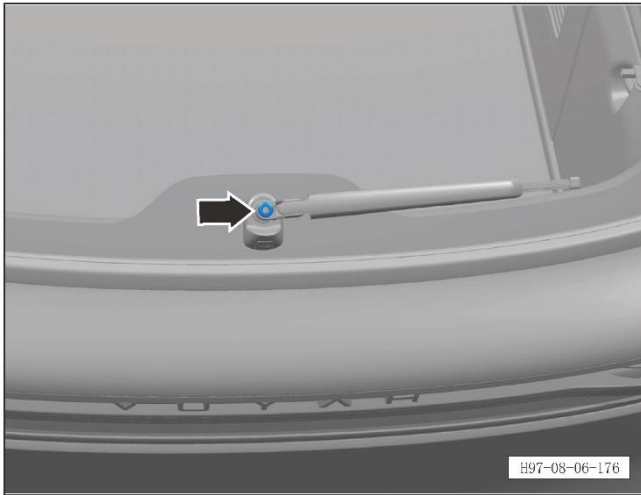
The refitting procedure is performed in reverse order.

#### 8.6.7.16 Removal and refitting of rear wiper arm & blade assembly

Removal procedure

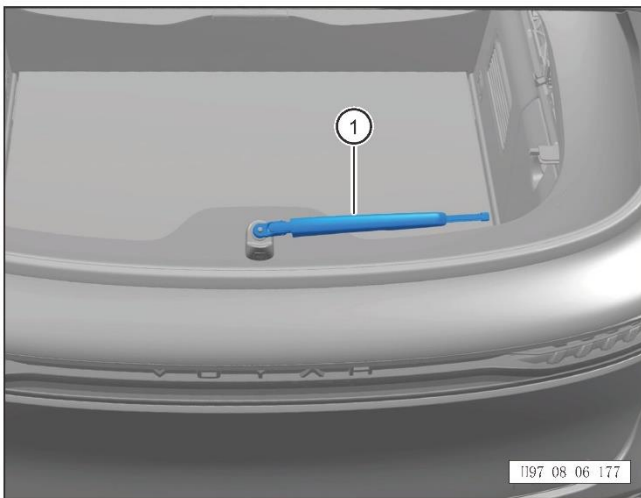
1. Remove the rear wiper arm & blade assembly.
  - a. Open the rear wiper arm & blade assembly cover plate.





b. Unscrew 1 fixing nut of the rear wiper arm & blade assembly.

Tightening torque of nut:  $12\pm 2\text{Nm}$ .



c. Remove the rear wiper arm & blade assembly ①.

Refitting procedure

The refitting procedure is performed in reverse order.



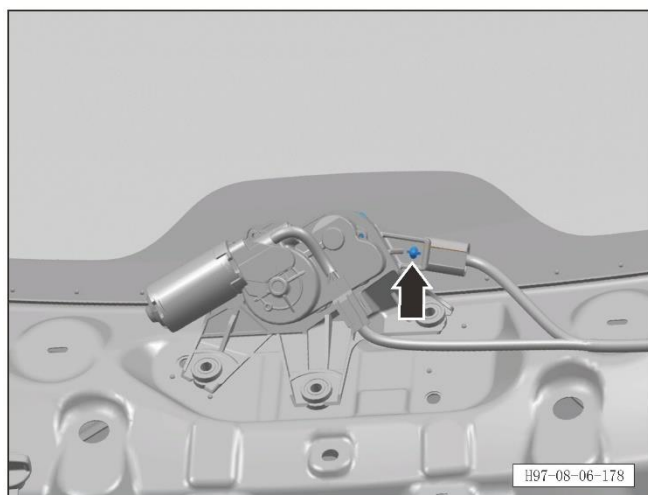
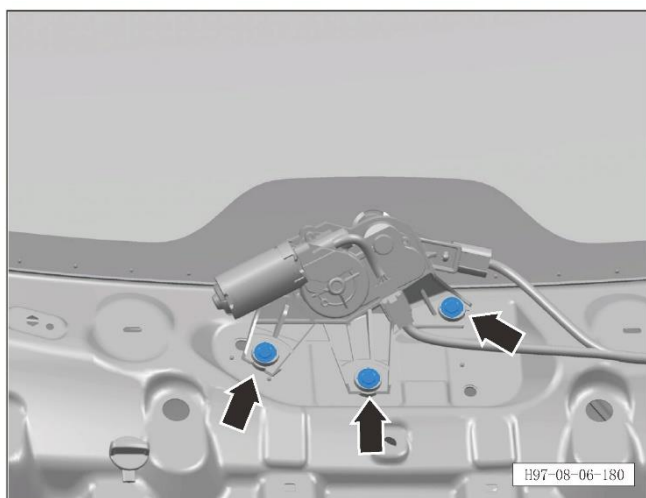
### 8.6.7.17 Removal and refitting of rear wiper motor & bracket assembly

Removal procedure

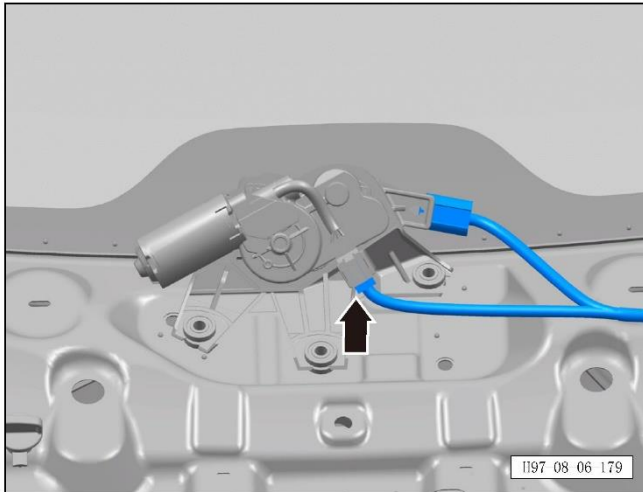
1. Open the tailgate.
2. Remove the tailgate lower trim panel assembly (refer to [8.4.4.4 Removal and refitting of tailgate lower trim panel assembly](#))
3. Remove the rear wiper arm & blade assembly (refer to [8.6.7.16 Removal and refitting of rear wiper arm & blade assembly](#))
4. Remove the rear wiper motor & bracket assembly.

- a. Unscrew 3 fixing bolts of the rear wiper motor & bracket assembly.

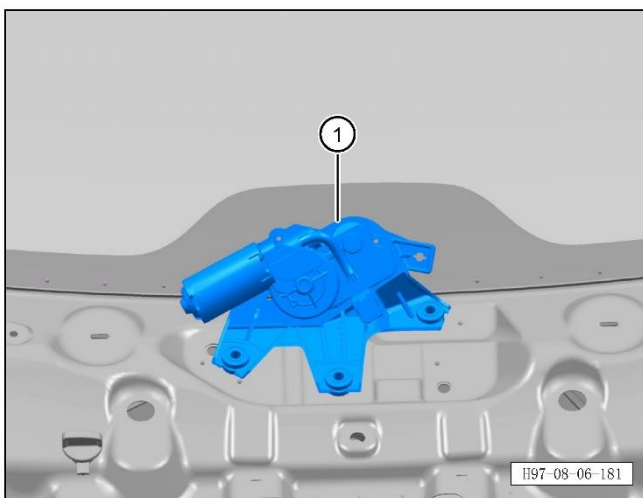
Tightening torque of bolt:  $9\pm 2\text{Nm}$ .



- b. Disengage the fixing clips of the trunk release switch connector.



c. Disconnect the rear wiper motor connector.



d. Remove the rear wiper motor & bracket assembly ①.

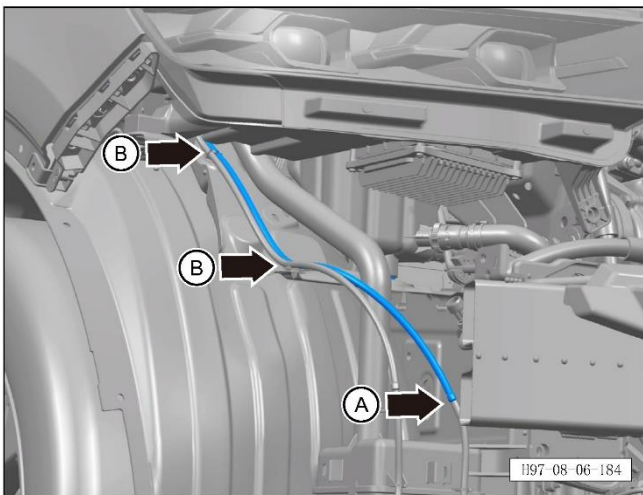
Refitting procedure

The refitting procedure is performed in reverse order.

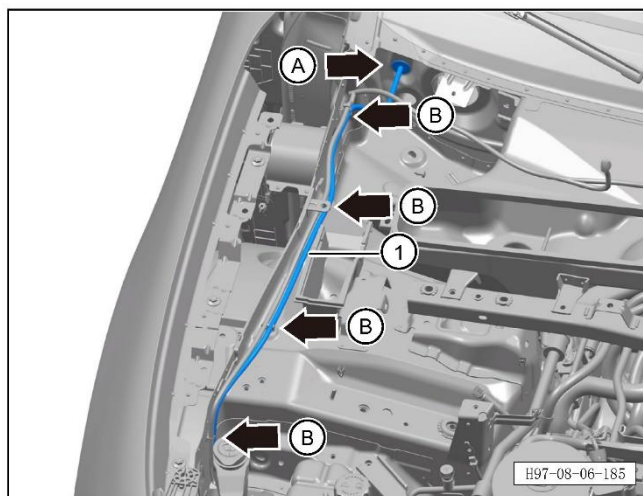
### 8.6.7.18 Removal and refitting of rear pipe assembly

Removal procedure

1. Remove the wiper cover plate, the nozzle and the front pipe assembly 2 (refer to [8.6.7.9 Removal and refitting of wiper cover plate](#))
2. Remove the engine compartment right rear trim panel assembly (refer to [8.6.6.12 Removal and refitting of engine compartment rear trim panel assembly](#))
3. Remove the engine compartment right front trim panel assembly (refer to [8.6.6.10 Removal and refitting of engine compartment front trim panel assembly](#))
4. Remove the engine compartment front middle trim panel assembly (refer to [8.6.6.11 Removal and refitting of engine compartment front middle trim panel assembly](#))
5. Remove the front bumper assembly (refer to [8.6.3.3 Removal and refitting of front bumper assembly](#))
6. Remove the rear pipe assembly.



- a. Disconnect the connection A between the rear pipe assembly and the pipe of the washer fluid reservoir assembly, and disengage 2 fixing clips B at the lower part of the rear pipe assembly.



- b. Remove the sealing plug A of the rear pipe assembly, disengage 4 fixing clips B at the upper part of the rear pipe assembly, and remove the rear pipe assembly ①.

Refitting procedure

The refitting procedure is performed in reverse order.

### 8.6.7.19 Removal and refitting of rear nozzle assembly

Removal procedure

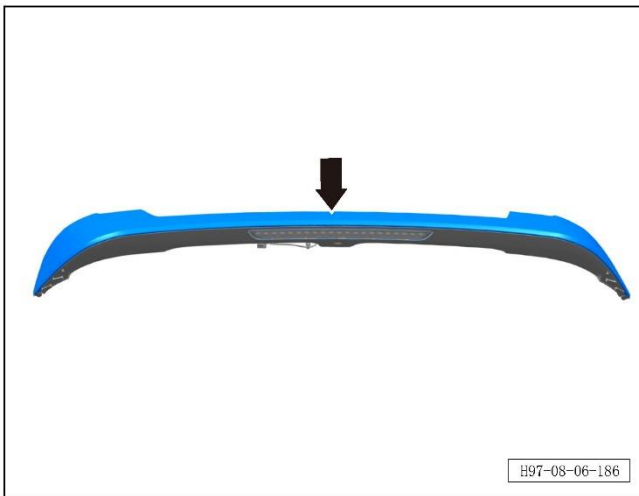
Note:

- No adjustment is required for the rear windshield washer nozzle. If it is blocked, please remove it and clean it in reverse, and replace it if necessary.

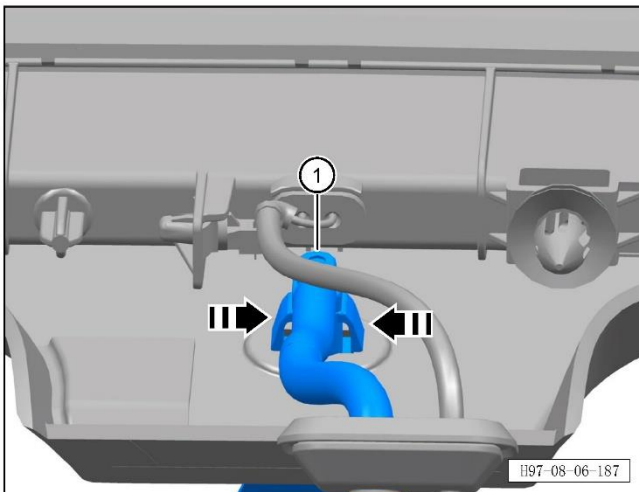
1. Remove the rear deflector assembly (refer to [8.6.6.8 Removal and refitting of rear deflector assembly](#))

2. Remove the rear nozzle assembly.

a. Remove the rear air deflector outer panel.



b. Remove the rear nozzle assembly ①.



Refitting procedure

The refitting procedure is performed in reverse order.

**8.6.8 Rearview mirror system****8.6.8.1 Specifications**

Fastening position	Specification	Tightening torque (N•m)
Left exterior rearview mirror assembly	Hexagon flange nut M8	15 ± 3
Right exterior rearview mirror assembly	Hexagon flange nut M8	15 ± 3
Interior rearview mirror assembly (luxury)	M5 screw	2 ± 1

### 8.6.8.2 Description and operation

#### System overview

The rearview mirrors are divided into interior rearview mirrors and exterior rearview mirrors, which are respectively fixed on the top of the front windshield and on the outside of the left and right bodies to observe the interior of the engine compartment and the rear of the vehicle. The exterior rearview mirrors of this vehicle model are electric rearview mirrors with electric adjustment, electric folding, automatic folding,

reverse deflection and defogging functions. The electric rearview mirror can be easily adjusted in the car to provide the suitable rearview mirror field of view required by the driver.

#### Function and operation

##### Electric adjustment of exterior rearview mirror

- Through the electric exterior mirror adjustment switch on the left front door trim panel, the angle of the exterior mirror can be adjusted, including up/down and left/right deflection.

- When adjusting the left exterior rearview mirror, set the ignition switch to ACC or ON position, press the "L" end of the electric rearview mirror adjustment switch and use the four-way buttons to deflect the right rearview mirror in up/down/left or right.

- When adjusting the right exterior rearview mirror, set the ignition switch to ACC or ON position, press the "R" end of the electric rearview mirror adjustment switch and use the four-way buttons to deflect the right rearview mirror in up/down/left or right.

#### CAUTION:

- Tilting the exterior rearview mirror forward too sharply during the adjustment will cause damage.

##### Heating control of exterior rearview mirror

- When the rear defrosting function through the A/C control panel is activated/deactivated, the exterior rearview mirror heating is turned on/off accordingly at the same time.

##### Electrical folding of exterior rearview mirror

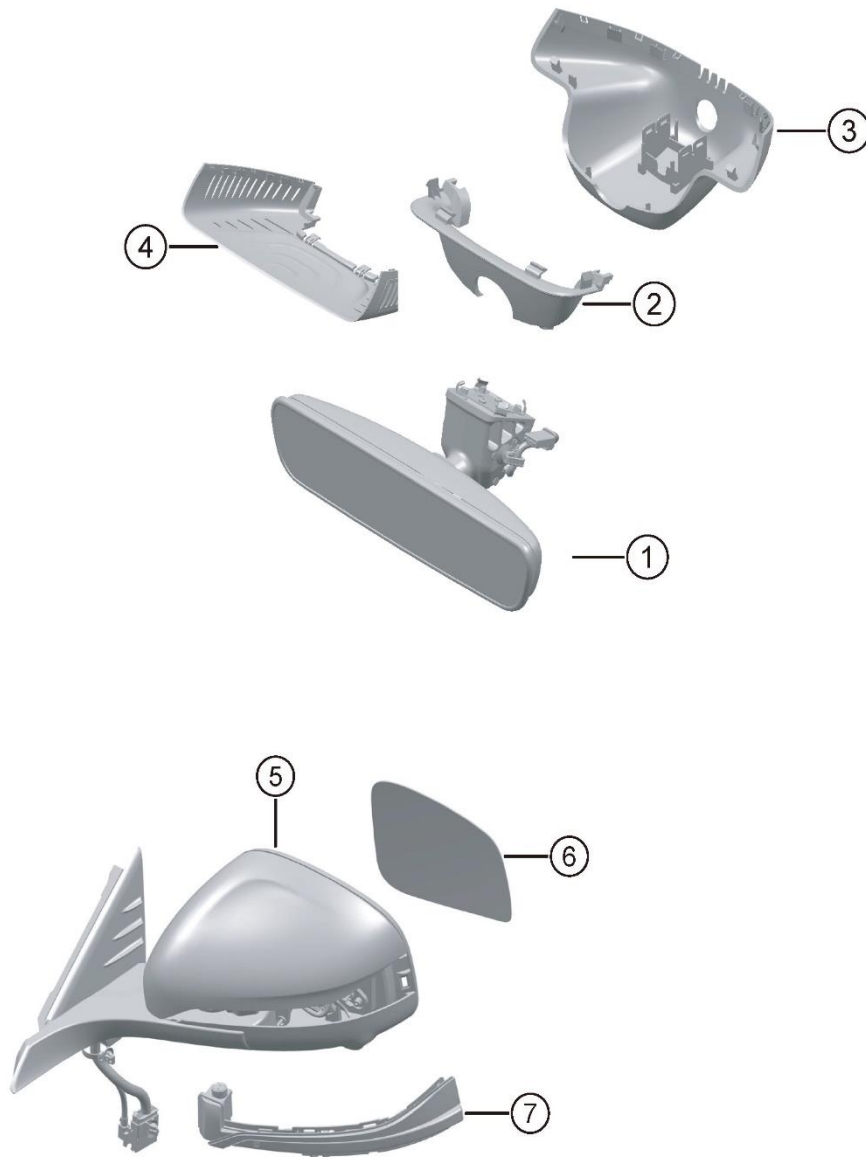
- Control the left and right exterior rearview mirrors to fold or unfold at the same time by operating the electric rearview mirror folding switch.

##### Automatic folding control of exterior rearview mirror.

- When locking the vehicle from the outside, the exterior rearview mirrors will fold automatically.

- When unlocking the vehicle from the outside, the exterior rearview mirrors will unfold automatically.

8.6.8.3 Exploded view of structure



H97-08-09-300

S/N	Part name	Loading quantity	Remarks
1	Interior rearview mirror assembly	1	
2	Interior rearview mirror front trim cover	1	
3	Interior rearview mirror trim cover plug	1	
4	Interior rearview mirror rear trim cover	1	
5	Left exterior rearview mirror assembly	1	
6	Left rearview mirror lens assembly	1	
7	Left sideturn signal light	1	



**8.6.8.4 Position diagram of parts**



H97-08-09-141

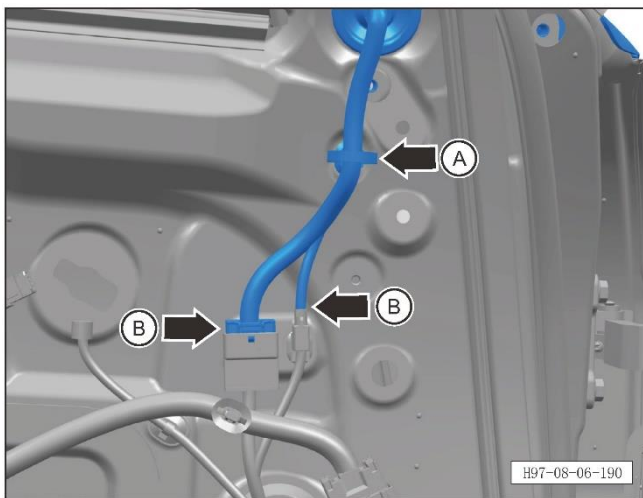
### 8.6.8.5 Removal and refitting of exterior rearview mirror assembly

Removal procedure

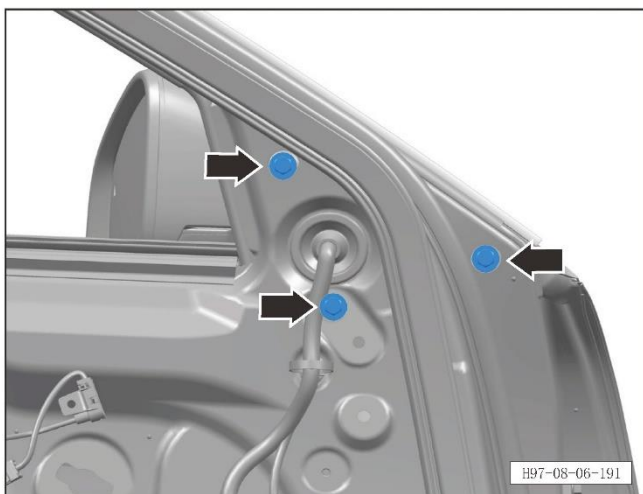
Note:

- The following is the removal and refitting of the left exterior rearview mirror assembly, which can be referred to for the operations on the right side.

1. Remove the left front door trim panel assembly (refer to [8.4.2.1 Removal and refitting of front door trim panel assembly](#))
2. Remove the left front door frame upper trim assembly (refer to [8.4.2.5 Removal and refitting of front door frame upper trim assembly](#))
3. Remove the left exterior rearview mirror assembly.

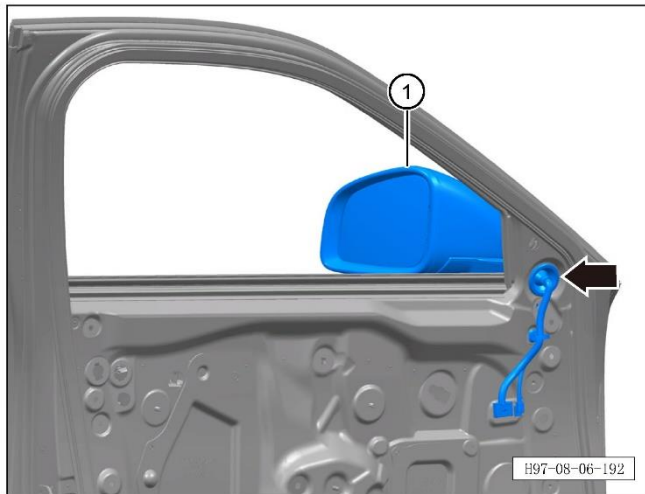


- a. Disengage 1 fixing clip A of the harness of the left exterior rearview mirror assembly, and disconnect 2 connectors B of the harness of the left exterior rearview mirror assembly.



- b. Unscrew 3 fixing bolts of the left exterior rearview mirror assembly.

Tightening torque of bolt:  $8\pm 1\text{Nm}$ .



c. Detach the harness gland of the left exterior rearview mirror assembly, and remove the left exterior rearview mirror assembly ①.

#### Refitting procedure

The refitting procedure is performed in reverse order.

#### CAUTION:

- After the refitting, test the functions of the exterior rearview mirrors.

### 8.6.8.6 Removal and refitting of exterior rearview mirror lens

Removal procedure

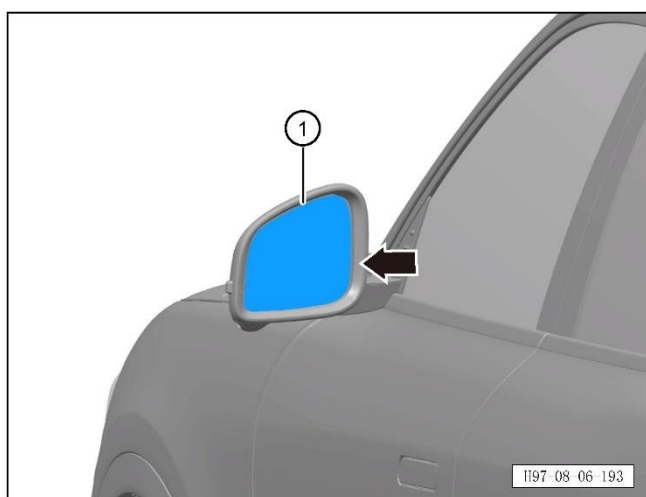
Note:

- The following is the removal and refitting of the left exterior rearview mirror lens, which can be referred to for the operations on the right side.

1. Remove the left exterior rearview mirror lens.

a. Use the SST to remove the lens along the clearance between the left exterior mirror lens and the housing.

b. Disconnect the rearview mirror connector, and take out the left exterior rearview mirror ①.



Refitting procedure

The refitting procedure is performed in reverse order.

**CAUTION:**

- Press it onto the rearview mirror adjustment unit until a click sound from the rearview mirror lens is heard.

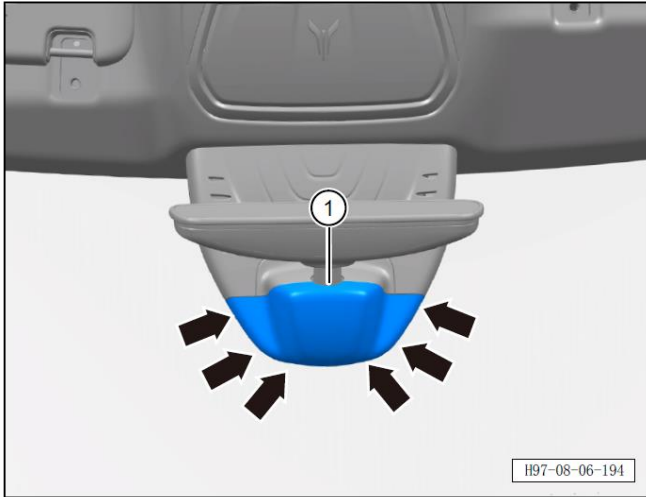
- After refitting, test the function.

### 8.6.8.7 Removal and refitting of interior rearview mirror front trim cover

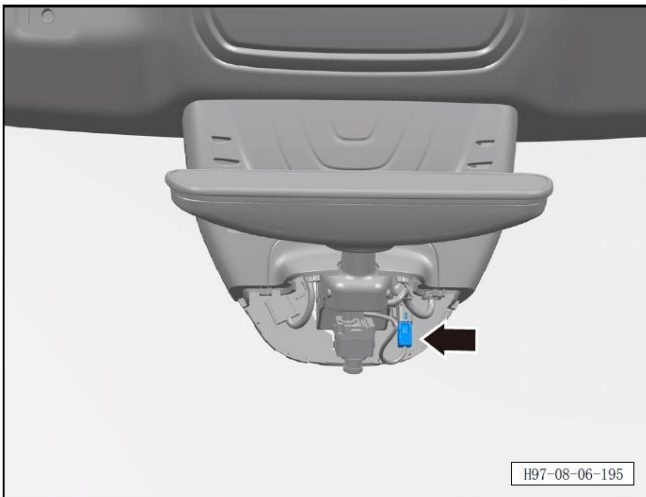
Removal procedure

1. Remove the interior mirror front trim cover.

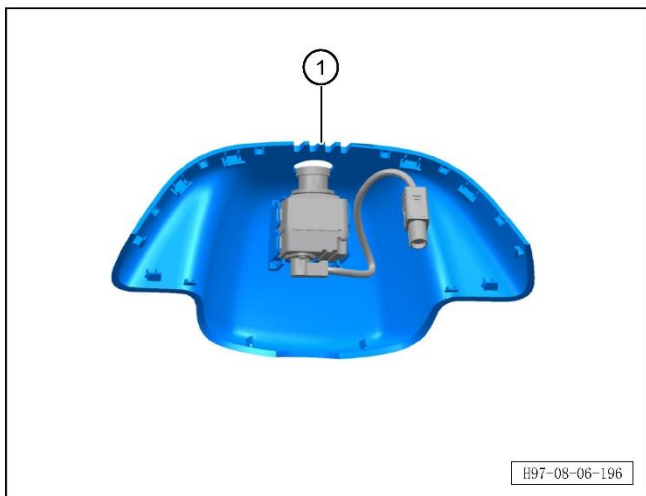
a. Disengage 6 fixing clips of the interior rearview mirror front trim cover.



b. Disconnect the DVR camera connector.



c. Remove the DVR camera and take out the interior rearview mirror front trim cover ①.



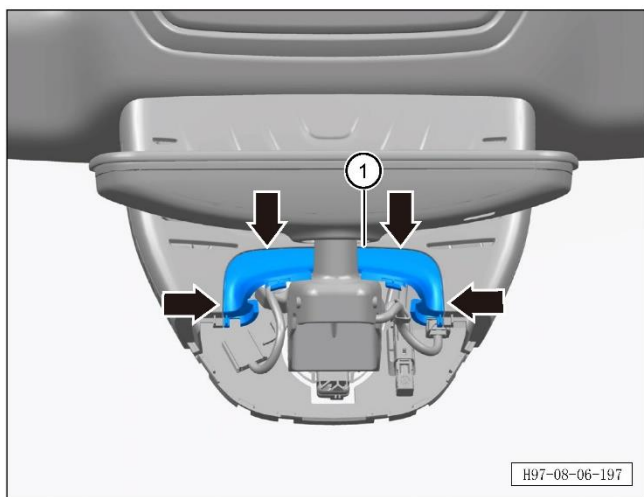
## Refitting procedure

The refitting procedure is performed in reverse order.

**8.6.8.8 Removal and refitting of interior rearview mirror trim cover plug**

## Removal procedure

1. Remove the interior rearview mirror front trim cover (refer to [8.6.8.7 Removal and refitting of interior rearview mirror front trim cover](#))
2. Remove the interior rearview mirror trim cover plug.
  - a. Disengage 4 fixing clips of the interior rearview mirror trim cover plug and remove the interior rearview mirror trim cover plug ①.



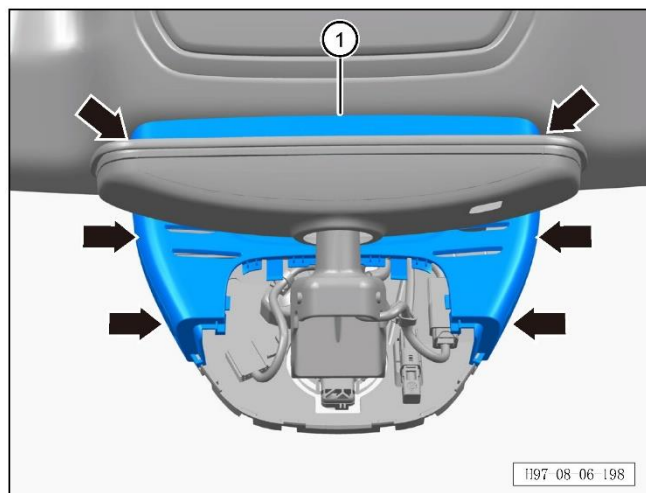
## Refitting procedure

The refitting procedure is performed in reverse order.

### 8.6.8.9 Removal and refitting of interior rearview mirror rear trim cover

Removal procedure

1. Remove the interior rearview mirror front trim cover (refer to [8.6.8.7 Removal and refitting of interior rearview mirror front trim cover](#))
2. Remove the interior rearview mirror trim cover plug (refer to [8.6.8.8 Removal and refitting of interior rearview mirror trim cover plug](#))
3. Remove the interior mirror rear trim cover.



- a. Disengage 6 fixing clips of the interior rearview mirror rear trim cover, and remove the interior rearview mirror rear trim cover ①.

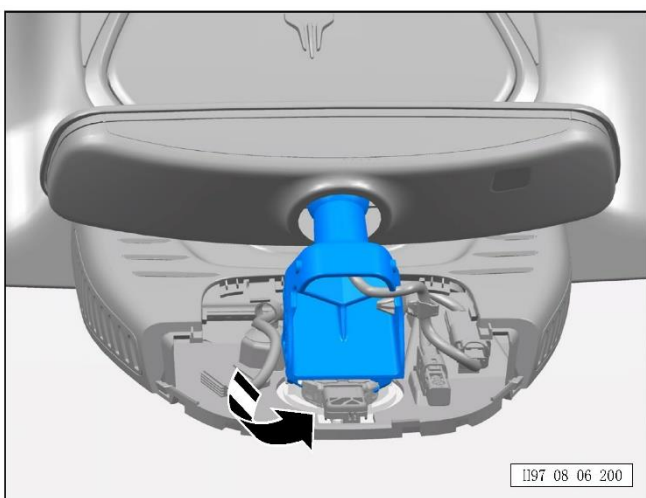
Refitting procedure

The refitting procedure is performed in reverse order.

### 8.6.8.10 Removal and refitting of interior rearview mirror assembly

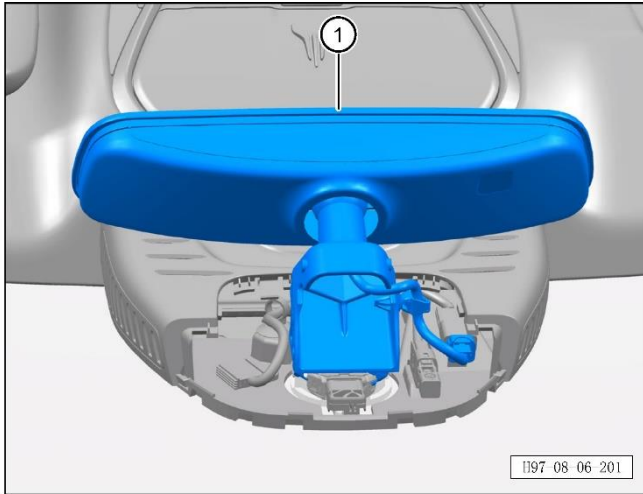
#### Removal procedure

1. Remove the interior rearview mirror front trim cover (refer to [8.6.8.7 Removal and refitting of interior rearview mirror front trim cover](#))
2. Remove the interior rearview mirror trim cover plug (refer to [8.6.8.8 Removal and refitting of interior rearview mirror trim cover plug](#))
3. Remove the interior rearview mirror assembly.
  - a. Disconnect the interior mirror assembly connector.



- b. Rotate the interior rearview mirror assembly mount counterclockwise to detach the front windshield mount.





- a. Remove the interior rearview mirror assembly ①.

Refitting procedure

The refitting procedure is performed in reverse order.